

# Environmental Assessment

## Determinations and Compliance Findings for HUD-assisted Projects

### 24 CFR Part 58

#### **Project Information**

**Project ID:** PR-RGRW-01573

**Project Name:** Gabriel A. Delgado Rosado

**Responsible Entity:** Puerto Rico Department of Housing

**Grant Recipient** (if different than Responsible Entity): same as above

**State/Local Identifier:** Puerto Rico / Municipio of Morovis

**Preparer:** Cristine Reguera, Deputy Program Manager

#### **Certifying Officer Name and Title:**

Permit and Environmental Compliance Officers: Pedro De León Rodriguez, MSEM

**Consultant** (if applicable): SWCA Environmental Consultants

**Direct Comments to:** PR Department of Housing, [environmentcdbg@vivienda.pr.gov](mailto:environmentcdbg@vivienda.pr.gov)

**Project Location:** The proposed project, the installation of a new greenhouse and purchase of equipment, is located on a 14.20-acre parcel (Parcel number 138-000-007-48-000) at Carretera 617 Km 2.2 hm 3, Morovis, Puerto Rico, 00687 (see **Appendix A, Figure 1**- Site Location and **Figure 2**- Site Vicinity). This property is the in central portion of Morovis Municipio.

The applicant has identified three locations for project activities related for the Intended Use of Grant Funds that are being evaluated under this Environmental Assessment, also shown on Figures 1 and 2:

- Greenhouse Option 1 (18.31222, -66.41615) is in the northwestern portion of the parcel.
- Greenhouse Option 2 (18.312091, -66.415658) is in the northcentral portion of the parcel, approximately 140 feet east of site Option 1.

- Cistern site (18.312185, -66.416027) is located approximately 35 feet east of site Option 1.

**Description of the Proposed Project** [24 CFR 58.32; 40 CFR 1508.25]:

The proposed project includes the construction and installation of a new greenhouse at one of two locations (Option 1 or 2) and the purchase of a shredder/grinder, a cultivator, and two 700-gallon cisterns. No platform will be required for the cisterns. The equipment purchase is an exempt activity under 24 CFR 58.34(7) and is not further evaluated in this document.

The proposed new greenhouse will be approximately 1,200 square feet in size (20 feet by 60 feet) with a height of approximately 15.5 feet. The posts of the new greenhouse will be secured by 12-inch-wide concrete footers extending 2 feet deep into the ground. The greenhouse will have a total of 24 posts (lengthwise- 8 posts on each side at 8 feet apart, widthwise- 4 posts on each side at 6 feet apart) (see **Appendix A, Figure 3-** Construction Plans). Note- The initial greenhouse design was 30 feet by 72 feet, and the construction plans provided by the applicant reflect these dimensions. Due to increasing material costs, the applicant has decided to reduce the size of the new greenhouse. The number of posts is estimated based on the reduced dimensions.

An existing greenhouse is in the northern portion of the parcel. Site Option 1 is closer to this existing greenhouse than Option 2, which is further east; and therefore, Option 1 is the preferred alternative. The applicant will collect rainwater in the cisterns. Irrigation piping and connections to the new greenhouse and cisterns will connect to the existing infrastructure using aboveground lines. The applicant will also use existing solar panels to generate electricity to the greenhouse, connecting to the solar panels through aboveground cables. The solar panels are not included in the Intended Use of Grant Funds.

The project will involve some ground disturbance, but no pruning or tree clearing is required for construction. The applicant owns the property; therefore, no acquisition is required.

**Statement of Purpose and Need for the Proposal** [40 CFR 1508.9(b)]:

In September of 2017, Hurricanes Irma and María produced sustained winds and intense rainfall that decimated agricultural production across the island of Puerto Rico. These hurricanes caused the loss of eighty percent of crop value island wide, exacerbating challenges to food security and agricultural business development. The Puerto Rico Department of Agriculture (PRDA) estimated seven hundred and eighty million dollars (\$780 million) worth of damages from the hurricanes to the agricultural sector of the economy.

Many properties were damaged in Hurricane Maria, resulting in struggling businesses. The Re-Grow Puerto Rico Urban-Rural Agriculture Program (Re-Grow Program) will develop

greater agricultural capacity and address the needs created by Hurricanes Irma and María with a substantial investment of CDBG-DR funds for a wide variety of viable and sustainable agricultural activities.

The applicant does not have the resources to purchase farming equipment and materials for their agricultural operation. The new greenhouse and equipment will help continue and increase the agricultural production of leaf crops. The cisterns will also help the applicant save money on the use of potable water and reuse of rainwater.

Agencies consulted for the proposed project are provided in the *List of Sources, Agencies and Persons Consulted* section of this Environmental Assessment (EA). Further discussion of the environmental impacts of the proposed action and alternatives is provided in the *Cumulative Impact Analysis, Alternatives/No Action Alternative, and Summary of Findings and Conclusions* sections of this EA.

**Existing Conditions and Trends** [24 CFR 58.40(a)]:

The entire property is classified as rural specially protected-agricultural/hydric land, and the general topography is hilly with open and vegetated areas. The applicant currently harvests citric and farinaceous crops on his property. The proposed activities are for agricultural purposes and are consistent with the current land use. Greenhouse Option 1 and 2 sites and the cistern site are all currently vacant land surrounded by vegetation. An unnamed stream is approximately 90 feet east of the Greenhouse Option 2 site.

Additional structures on the property include a cattle corral located approximately 30 northwest of Greenhouse Option 1 and another corral located approximately 320 feet south of Greenhouse Option 1. A residence is also being constructed in the southern portion of the parcel, approximately 460 feet south of Greenhouse Option 2.

The parcel is surrounded by other local farms and moderate to low density residential use. To the northeast of the parcel on the east side of Puerto Rico Highway (PR) 617 is the Puerto Rico Propane, a liquefied petroleum gas distributor company, and a restaurant.

**Funding Information**

Grant Number	HUD Program	Funding Amount
B-17-DM-72-0001 B-18-DP-72-0001 B-19-DP-78-0002 B-18-DE-72-0001	Community Development Block Grant – Disaster Recovery (CDBG-DR)	\$11,938,162,230

**Estimated Total HUD Funded Amount:** \$45,756.94

**Estimated Total Project Cost** (HUD and non-HUD funds) [24 CFR 58.32(d)]: \$45,756.94

## **Compliance with 24 CFR 58.5 and 58.6 Laws and Authorities**

Record below the compliance or conformance determinations for each statute, executive order, or regulation. Provide credible, traceable, and supportive source documentation for each authority. Where applicable, complete the necessary reviews or consultations and obtain or note applicable permits or approvals. Clearly note citations, dates/names/titles of contacts, and page references. Attach additional documentation as appropriate.

<b>Compliance Factors:</b> Statutes, Executive Orders, and Regulations listed at 24 CFR §58.5 and §58.6	Are formal compliance steps or mitigation required?	Compliance Determinations
<b>STATUTES, EXECUTIVE ORDERS, AND REGULATIONS LISTED AT 24 CFR 58.6</b>		
<b>Airport Hazards</b>  24 CFR Part 51 Subpart D	Yes    No <input type="checkbox"/> <input checked="" type="checkbox"/>	<p>No project activities will occur within 2,500 feet of a civil primary or commercial service airport or within 15,000 feet of a military airport. The nearest civil primary or commercial service airport, Fernando Luis Ribas Dominicci, is located 119,298 feet (23 miles) east of the project sites. The nearest military airport, Luis Munoz Marin International, is located 146,037 feet (28 miles) east of the project site. Project activities are therefore an exempt activity. No further evaluation is required. The project is in compliance with airport hazards requirements.</p> <p>The Airport Hazards Partner Worksheet and Airport Hazards Map (<b>Figure B 1-1</b>) are provided in <b>Appendix B, Attachment 1</b>.</p>
<b>Coastal Barrier Resources</b>  Coastal Barrier Resources Act, as amended by the Coastal Barrier Improvement Act of 1990 [16 USC 3501]	Yes    No <input type="checkbox"/> <input checked="" type="checkbox"/>	<p>No project activities will occur in or near a Coastal Barrier Resource Systems (CBRS) Unit or Otherwise Protected Area (OPA). The closest CBRS unit, Tortuguero, is 52,166 feet (10 miles) north of the project site. Project activities are therefore an exempt activity. No further evaluation is required. The project is in compliance with the Coastal Barrier Resources Act.</p>

		The Coastal Barrier Resources Act Partner Worksheet and Coastal Barrier Resources Map ( <b>Figure B 2-1</b> ) are provided in <b>Appendix B, Attachment 2</b> .
<p><b>Flood Insurance</b></p> <p>Flood Disaster Protection Act of 1973 and National Flood Insurance Reform Act of 1994 [42 USC 4001-4128 and 42 USC 5154a]</p>	<p>Yes    No</p> <p><input type="checkbox"/>    <input checked="" type="checkbox"/></p>	<p>A review of the FEMA Flood Insurance Rate Map (FIRM), Community Panels 72000C0670J (effective date 11/18/2009) and 72000C0660H (effective date 4/19/2005), shows Greenhouse Option 1 and 2 sites are in Flood Zone X, which is not in a Special Flood Hazard Area (SFHA). Flood insurance is not required. The project is in compliance with the Flood Disaster Protection Act and National Flood Insurance Reform Act.</p> <p>The Flood Insurance Partner Worksheet and FIRM (<b>Figure B 3-1</b>) are provided in <b>Appendix B, Attachment 3</b>.</p>
<b>STATUTES, EXECUTIVE ORDERS, AND REGULATIONS LISTED AT 24 CFR 58.5</b>		
<p><b>Clean Air</b></p> <p>Clean Air Act, as amended, particularly section 176(c) &amp; (d); 40 CFR Parts 6, 51, 93</p>	<p>Yes    No</p> <p><input type="checkbox"/>    <input checked="" type="checkbox"/></p>	<p>The proposed project is in Morovis Municipio, which is within an U.S. Environmental Protection Agency (USEPA) designated attainment area. Project activities include the purchase of equipment and the construction of a new greenhouse. The project is not anticipated to have a negative impact on air quality and will not increase residential density. Emissions associated with the proposed actions are temporary and limited to the use of small construction equipment and will be well below the Federal General Conformity Rule de minimis thresholds. The project is in compliance with the Clean Air Act.</p> <p>The Air Quality Partner Worksheet, List of Non-Attainment/Maintenance Status Counties in Puerto Rico, and Clean Air Map (<b>Figure B 4-1</b>) are provided in <b>Appendix B, Attachment 4</b>.</p>
<p><b>Coastal Zone Management</b></p>	<p>Yes    No</p>	<p>No project activities will occur within the Puerto Rico Coastal Management Zone.</p>

<p>Coastal Zone Management Act, sections 307(c) &amp; (d)</p>	<p><input type="checkbox"/> <input checked="" type="checkbox"/></p>	<p>The closest coastal zone area is 48,138 feet (9 miles) north of the project sites. Project activities are therefore an exempt activity. No further evaluation is required. The project is in compliance with the Coastal Zone Management Act.</p> <p>The Coastal Zone Management Partner Worksheet and Coastal Zone Map (<b>Figure B 5-1</b>) are provided in <b>Appendix B, Attachment 5</b>.</p>
<p><b>Contamination and Toxic Substances</b></p> <p>24 CFR Part 58.5(i)(2)</p>	<p>Yes No</p> <p><input type="checkbox"/> <input checked="" type="checkbox"/></p>	<p>The project sites were evaluated for potential contamination by conducting a field site inspection on March 3, 2023, to identify any onsite hazards including, but not limited to, soil staining, above ground storage tanks, signs of underground storage tanks, odors, hazardous debris etc. The site inspection did not identify any onsite hazards that could not be resolved with mitigation. The applicant noted that a restaurant on a neighboring property to the east of PR-617, approximately 482 feet northeast-east from Greenhouse Option 1 and approximately 450 feet northeast from Greenhouse Option 2, does not have the proper equipment to dispose of sewage water. Based on the distance of the restaurant from the project sites and the dense vegetation between the restaurant and the project site, no hazards are anticipated (see <b>Appendix C-</b> Environmental Site Inspection Report).</p> <p>In addition, a desktop review of USEPA databases, NEPAAssist, and other sources was conducted to determine if the project sites were located near dump sites, junk yards, landfills, hazardous waste sites, or industrial sites, including USEPA National Priorities List Sites (Superfund sites), CERCLA or state-equivalent sites, RCRA Corrective Action sites with release(s) or suspected</p>

		<p>release(s) requiring clean-up action and/or further investigation.</p> <p>The desktop review found one water discharger within 3,000 feet of the project area that received violations for nonreporting and exceeding the permit max limits for total dissolved solids and iron. However, the surface water does not support aquatic life and is not used as a drinking water source, so the water discharger will not affect the health and safety of project occupants or conflict with the intended use of the property. The project is in compliance with contamination and toxic substances requirements.</p> <p>The Contamination and Toxics Substances Partner Worksheet, Toxics Summary Table, and Toxics and Contamination Map (<b>Figure B 6-1</b>) are provided in <b>Appendix B, Attachment 6</b>.</p>
<p>Endangered Species Endangered Species Act of 1973, particularly section 7; 50 CFR Part 402</p>	<p>Yes    No <input type="checkbox"/>   <input checked="" type="checkbox"/></p>	<p>The project involves activities that have the potential to affect protected species or habitats including but not limited to activities such as ground disturbance.</p> <p>Threatened, endangered, and migratory bird species were identified by reviewing data from the United States Fish and Wildlife Service (USFWS) Information and Planning Consultation (IPaC) Tool and the Puerto Rico Department of Natural and Environmental Resources (DNER) Species Ranges database. In addition, critical species habitat was reviewed through the USFWS IPaC, Critical Habitat Portal, and the DNER Puerto Rico State Wildlife Action Plan, a Ten-Year Review database. The review identified one federally listed species, the Puerto Rican Boa, and one state listed species, the Brown Pelican, with the potential to occur within the project area.</p>

		<p>The review area does contain trees that could provide suitable habitat for the Puerto Rican boa; however, both of the proposed project location options have been cleared of all vegetation. It is not anticipated that the Puerto Rican Boa will occur within the project area.</p> <p>There is no critical habitat for the Brown Pelican present within the project area, therefore the species is not anticipated to occur within the project area.</p> <p>The project activities will result in ground disturbing activities, including installation of in-ground concrete poles for construction of a new greenhouse. A qualified biologist reviewed the proposed activity locations and determined that there is no suitable habitat present for any federal or state listed species at the proposed project location. Therefore, as currently designed, the proposed project activities will have <i>No effect</i> on any federally listed species or designated critical habitat and <i>no impact</i> to all state protected species.</p> <p>If a Puerto Rican Boa is found in the project action site, work shall cease until the Boa moves off site on its own. If the Boa does not move off site, the construction manager shall contact the Puerto Rico Department of Natural and Environmental Resources and ask for them to relocate the Boa.</p> <p>The Endangered Species Act Partner Worksheet, Threatened and Endangered Species Technical Memorandum with IPaC, and Critical Habitat Map (<b>Figure B 7-1</b>) are provided in <b>Appendix B, Attachment 7</b>.</p>
<p><b>Explosive and Flammable Hazards</b></p> <p>24 CFR Part 51 Subpart C</p>	<p>Yes    No</p> <p><input type="checkbox"/>    <input checked="" type="checkbox"/></p>	<p>The project includes the construction of a new greenhouse at one of two locations (Option 1 or 2) and the purchase of a shredder/grinder, a cultivator, and two 700-gallon cisterns.</p>



		<p>The project itself is not the development of a potentially hazardous facility nor will the project increase residential densities. Project activities are therefore an exempt activity. No further evaluation is required. The project is in compliance with explosive and flammable hazard requirements.</p> <p>The Explosive and Flammable Hazards Partner Worksheet is provided in <b>Appendix B, Attachment 8.</b></p>
<p><b>Farmlands Protection</b></p> <p>Farmland Protection Policy Act of 1981, particularly sections 1504(b) and 1541; 7 CFR Part 658</p>	<p>Yes    No</p> <p><input type="checkbox"/>   <input checked="" type="checkbox"/></p>	<p>This project does not include any activities that could potentially convert agricultural land to non-agricultural use. No prime farmland or farmlands of statewide importance are within the project area. Although the project includes new construction, the project is exempt from review under the Farmland Protection Policy Act (FFPA) as the project is limited to construction of on-farm structures needed for farm operations. No further review is required. The project is in compliance with the Farmland Protection Policy Act.</p> <p>The Farmlands Protection Partner Worksheet and Prime Farmland Map (<b>Figure B 9-1</b>) are provided in <b>Appendix B, Attachment 9.</b></p>
<p><b>Floodplain Management</b></p> <p>Executive Order 11988, particularly section 2(a); 24 CFR Part 55</p>	<p>Yes    No</p> <p><input type="checkbox"/>   <input checked="" type="checkbox"/></p>	<p>A review of the Advisory Base Flood Elevation (ABFE) map, Community Panels 72000C0670J (effective date 11/18/2009) and 72000C0660H (effective date 04/19/2005), shows Greenhouse Option 1 and 2 sites are in Flood Zone X. The project is not located in the 100-year floodplain or ABFE special flood hazard area; therefore, no further action is required. The project is in compliance with Executive Order 11988.</p> <p>The Floodplain Management Partner Worksheet and ABFE Floodplain Map (<b>Figure B 10-1</b>) are provided in <b>Appendix B, Attachment 10.</b></p>

<p><b>Historic Preservation</b></p> <p>National Historic Preservation Act of 1966, particularly sections 106 and 110; 36 CFR Part 800</p>	<p>Yes    No</p> <p><input type="checkbox"/>    <input checked="" type="checkbox"/></p>	<p>The proposed project involves the construction of a new greenhouse on undeveloped land and ground disturbing activities of previously undisturbed soil. State Historic Preservation Office (SHPO) consultation was performed.</p> <p>No National Historic Landmark (NHL) are within or near the project area.</p> <p>A site visit was conducted on March 3, 2023, by an SOI-qualified Archaeologist. Additionally, record reviews and research were conducted at the SHPO and the Institute for Puerto Rican Culture (ICP) to determine if any archaeologically sensitive resources could be present within a 0.5-mile radius.</p> <p>The results of the record search and the site inspection indicate that there are no historic properties or cultural resources within the 0.50-mile radius study area or within the project Area of Potential Effect (APE). Based on the results of the historic property identification efforts, the Program has determined that project actions will not affect historic properties that compose the APE.</p> <p>The determination was submitted to SHPO by PRDOH for concurrence on April 20, 2023, and SHPO concurred with the No Historic Properties Affected determination on May 22, 2023. The project is in compliance with the National Historic Preservation Act.</p> <p>The Historic Preservation Partner Worksheet, SHPO consultation, Historic Property Map (<b>Figure B 11-1</b>), and Cultural Resources Map (<b>Figure B 11-2</b>) are provided in <b>Appendix B, Attachment 11</b>.</p>
<p><b>Noise Abatement and Control</b></p>	<p>Yes    No</p> <p><input type="checkbox"/>    <input checked="" type="checkbox"/></p>	<p>The project activities are limited to the purchase of equipment and the installation of a new greenhouse and</p>

<p>Noise Control Act of 1972, as amended by the Quiet Communities Act of 1978; 24 CFR Part 51 Subpart B</p>		<p>do not involve residential new construction or rehabilitation. Project activities are therefore an exempt activity. No further evaluation is required. The project is in compliance with HUD's noise regulation.</p> <p>The Noise Abatement and Control Partner Worksheet is provided in <b>Appendix B, Attachment 12.</b></p>
<p><b>Sole Source Aquifers</b></p> <p>Safe Drinking Water Act of 1974, as amended, particularly section 1424(e); 40 CFR Part 149</p>	<p>Yes    No  <input type="checkbox"/>    <input checked="" type="checkbox"/></p>	<p>According to the USEPA's Source Water Protection, Sole Source Aquifer Protection Program, there are no Sole Source Aquifers in Puerto Rico. Project activities are therefore an exempt activity. No further evaluation is required. The project is in compliance with the Safe Drinking Water Act.</p> <p>The Sole Source Aquifer Partner Worksheet is provided in <b>Appendix B, Attachment 13.</b></p>
<p><b>Wetlands Protection</b></p> <p>Executive Order 11990, particularly sections 2 and 5</p>	<p>Yes    No  <input type="checkbox"/>    <input checked="" type="checkbox"/></p>	<p>The proposed project sites were reviewed for wetlands using the USFWS Wetland Inventory Mapper and a visual confirmation during the field site inspection.</p> <p>A riverine wetland (shown as an NHD stream on Figure B 14-1) is located approximately 197 feet east of the Greenhouse Option 1 and 90 feet east of the Greenhouse Option 2 at the closest point and will not be affected by project activities; therefore, an 8-step decision making process is not required. Note- the NWI online webmapper, accessed on March 31, 2023, shows this NHD stream is a riverine wetland. The project is in compliance with Executive Order 11990.</p> <p>The Wetlands Protection Partner Worksheet and Wetland Map (<b>Figure B 14-1</b>) are provided in <b>Appendix B, Attachment 14.</b></p>
<p><b>Wild and Scenic Rivers</b></p>	<p>Yes    No</p>	<p>A review of the USFWS National Wild and Scenic River mapper identified no</p>

Wild and Scenic Rivers Act of 1968, particularly section 7(b) and (c)	<input type="checkbox"/> Yes <input checked="" type="checkbox"/> No	<p>Wild and Scenic Rivers or National Rivers Inventory (NRI) rivers present in Morovis Municipio. The closest Wild and Scenic River segment is 217,260 feet (41 miles) east of the project sites. Project activities are therefore an exempt activity. No further evaluation is required. The project is in compliance with the Wild and Scenic Rivers Act.</p> <p>The Wild and Scenic Rivers Partner Worksheet and Wild and Scenic Rivers Map (<b>Figure B 15-1</b>) are provided in <b>Appendix B, Attachment 15</b>.</p>
<b>ENVIRONMENTAL JUSTICE</b>		
<p><b>Environmental Justice</b></p> <p>Executive Order 12898</p>	<p>Yes    No</p> <p><input type="checkbox"/>    <input checked="" type="checkbox"/></p>	<p>The ReGrow Program intends to strengthen and alleviate negative economic impacts to the agricultural industry in Puerto Rico. The project's direct and indirect impacts are limited to a single land parcel. The project will benefit the farm owner by improving agricultural use and production.</p> <p>The project would not facilitate development that would negatively affect human health or result in disproportionate adverse environmental impacts to low-income or minority populations. The project is in compliance with Executive Order 12898.</p> <p>The Environmental Justice Partner Worksheet and EJSscreen Report are provided in <b>Appendix B, Attachment 16</b>.</p>

**Environmental Assessment Factors** [24 CFR 58.40; Ref. 40 CFR 1508.8 & 1508.27] Recorded below is the qualitative and quantitative significance of the effects of the proposal on the character, features and resources of the project area. Each factor has been evaluated and documented as appropriate and in proportion to its relevance to the proposed action. Verifiable source documentation has been provided and described in support of each determination, as appropriate. Credible, traceable and supportive source documentation for each authority has been provided. Where applicable, the necessary reviews or consultations have been completed and applicable permits of approvals have been obtained or noted. Citations, dates/names/titles of contacts, and

page references are clear. Additional documentation is attached, as appropriate. **All conditions, attenuation or mitigation measures have been clearly identified.**

**Impact Codes:** Use an impact code from the following list to make the determination of impact for each factor.

**(1)** Minor beneficial impact

**(2)** No impact anticipated

**(3)** Minor Adverse Impact – May require mitigation

**(4)** Significant or potentially significant impact requiring avoidance or modification which may require an Environmental Impact Statement

Environmental Assessment Factor	Impact Code	Impact Evaluation
<b>LAND DEVELOPMENT</b>		
Conformance with Plans / Compatible Land Use and Zoning / Scale and Urban Design	2	<p>All project site location options are classified as rural specially protected-agricultural/hydric land (SREP-A). The proposed action is continued agricultural use of property, which is compatible with zoning and existing land use. The project sites are surrounded by other local farms, moderate to low density residential use, and a few commercial businesses. Project activities will not contribute to urban sprawl.</p> <p>Any necessary construction permits should be obtained by the applicant and/or contractor from the appropriate department prior to construction activities.</p>
Soil Suitability/ Slope/ Erosion/ Drainage/ Storm Water Runoff	2	<p>Soil suitability will be assessed prior to construction and will be addressed during local permitting processes. Contractors will be required to use best management practices during construction if erosion impacts occur. The general topography of the property is hilly with open vegetated areas. The proposed optional sites are relatively flat, and no leveling is anticipated.</p> <p>Landslide data from the U.S. Geological Survey (USGS) indicates less than 25 landslides per square kilometer for the project area (see <b>Appendix A, Figure 4-</b> USGS Landslide Map).</p> <p>Department of Natural and Environmental Resources (DNER) authorization may be required for any</p>

		<p>extraction, removal, excavation, and dredging of the components of the earth's crust.</p> <p>Under the USEPA National Pollutant Discharge Elimination System (NPDES) Program requirements, any project with a disturbance area equal to or greater than 1 acre requires a USEPA Construction General Permit, NPDES Permit, and formal Stormwater Pollution Prevention Plan (SWPPP). The total disturbance area for this project is less than 1 acre and does not meet this threshold; therefore, these requirements do not apply.</p>
Hazards and Nuisances including Site Safety and Noise	2	<p>Contractors will be required to provide health and safety plans and monitoring during construction. Noise levels will temporarily increase during construction; however, program activities are limited to the existing farm property and will not elevate ambient noise levels long-term. Contractors will be required to comply with the applicable local noise ordinances. Noise impacts will be mitigated by restricting construction activities to daylight hours. Additionally, the project does not include housing to where inhabitants would be affected.</p>
Energy Consumption	2	<p>The project will not result in significant additional energy consumption. The applicant will use existing solar panels to generate electricity to the greenhouse, at either site location option, and will not require any expansion to existing power facilities.</p>

Environmental Assessment Factor	Impact Code	Impact Evaluation
<b>SOCIOECONOMIC</b>		
Employment and Income Patterns	2	<p>The project will result in short-term employment benefit if contractors are hired for construction. After construction, the project will support the continuation of operations and intended use of the farm, which produces produce for Puerto Rico communities.</p> <p>The project is not anticipated to have a significant impact on employment and income patterns; however, the project may help restore employment opportunities and local agricultural business development.</p>

Demographic Character Changes, Displacement	2	The project is surrounded by other local farms and moderate to low density residential use and will not alter the demographics or character of surrounding community. Project activities will not result in any direct or indirect displacement of individuals or families.
---	---	---

Environmental Assessment Factor	Impact Code	Impact Evaluation
<b>COMMUNITY FACILITIES AND SERVICES</b>		
Educational and Cultural Facilities	2	The proposed project activities will occur on private land and will not affect access to or capacity of educational or cultural facilities.
Commercial Facilities	2	The project will increase agricultural production, resulting in a net positive impact to the applicant's commercial farm output and a positive benefit to surrounding commercial enterprises who purchase and sell the produce.
Health Care and Social Services	2	The proposed project activities will occur on private land and will not affect access to or capacity of health care and social services.
Solid Waste Disposal / Recycling	2	The proposed project may cause an increase in short-term generation of solid waste during construction. All construction debris will be disposed of at the proper facilities for the debris type (i.e. construction waste). The project will not contribute to long-term needs or changes to solid waste disposal and recycling.
Wastewater / Sanitary Sewers	2	The purchase of equipment and installation of a new greenhouse are not expected to result in significant changes in wastewater or sanitary sewer use.  The project does not involve on-site waste disposal systems. Wastewater from the project will not enter environmentally sensitive areas, nor will the project produce any noxious odors affecting quality of life for nearby residents.
Water Supply	2	The proposed project activities are not expected to result in significant changes to the water supply. Project activities involve the purchase of two 700-gallon cisterns, which will allow the applicant to reuse

		rainwater to irrigate crops, reducing the consumption of municipal water supply.
Public Safety - Police, Fire and Emergency Medical	2	The proposed project activities will occur on private land and will not affect public safety concerns such as police, fire, and emergency medical services.
Parks, Open Space and Recreation	2	The proposed project activities will occur on private land and will not result in any changes to access or use of parks, open space, and recreation areas.
Transportation and Accessibility	2	The project activities will occur on private land and have no relation to transportation services. The proposed activities will not result in any changes in transportation and accessibility.

Environmental Assessment Factor	Impact Code	Impact Evaluation
<b>NATURAL FEATURES</b>		
Unique Natural Features, Water Resources	2	A riverine wetland is located approximately 197 feet east of the Greenhouse Option 1 and 90 feet east of the Greenhouse Option 2 at the closest point and will not be affected by project activities. Construction activities will not affect quality or access to this resource.
Vegetation, Wildlife	2	The project area has already been previously disturbed for farm operations; therefore, the project is not anticipated to result in any new impacts to trees, vegetation, wildlife, or native plant communities. No tree clearing or pruning will occur.
Climate Change	2	The ReGrow CDBG program proposed project aims to increase resiliency in the agricultural industry to prepare for future climate related disasters, including drought. The project will not contribute to climate change and will provide a minor net benefit by allowing for increased food production.

**Additional Studies Performed:**

No additional studies were performed.

**Field Inspection** (Date and completed by):



Field inspection completed on March 3, 2023, by Delise Torres-Ortiz, SWCA Environmental Consultants.

**List of Sources, Agencies and Persons Consulted** [40 CFR 1508.9(b)]:

Department of Natural and Environmental Resources (DNER). 2023a. Puerto Rico State Wildlife Action Plan a Ten-Year Review. Accessed March 1, 2023. Available at: <https://arcg.is/1DmOy1>.

DNER. 2023b. Puerto Rico DNER Species Ranges – under construction. Accessed March 23, 2023. Available at: <https://arcg.is/1S9aju0>.

Federal Aviation Administration (FAA). 2022. National Plan for Integrated Airport Systems 2023-2027. Accessed March 23, 2023. Available at: [National Plan of Integrated Airport Systems \(NPIAS\) 2023-2027, Appendix B: National and State Maps \(faa.gov\)](https://www.faa.gov/airports/airportservices/npias).

Federal Emergency Management Agency (FEMA). 2023. FEMA Flood Map Service Center - Map Panels 72000C0670J (effective date 11/18/2009) and 72000C0660H (effective date 04/19/2005). Accessed March 23, 2023. Available at: <https://msc.fema.gov/portal/home>.

Institute of Puerto Rican Culture (ICP). 2023. San Juan, Puerto Rico. Data collection conducted on (Date).

National Oceanic and Atmospheric Administration (NOAA) Office for Coastal Management. 2023. Puerto Rico Coastal Zone Boundary. Accessed March 23, 2023. Available at: [Puerto Rico Coastal Vulnerability Viewer \(arcgis.com\)](https://www.arcgis.com/apps/webappviewer/index.html?id=9ebb047ba3ec41ada1877155fe31356b).

State Historic Preservation Office (SHPO). 2023. San Juan, Puerto Rico. Data collection conducted on (Date).

U.S. Environmental Protection Agency (USEPA). 2022a. Envirofacts Mapper. Air pollution data (ICIS-AIR), Brownfields, Hazardous Waste (RCRAInfo), Superfund National Priorities List (NPL), Toxic Releases Inventory (TRI), and National Pollutants Discharge Elimination Systems (NPDES). Accessed March 23, 2023. Available at: <https://geopub.epa.gov/arcgis/rest/services/EMEF/efpoints/MapServer>.

USEPA. 2022b. Sole Source Aquifer Map. Accessed March 23, 2023. Available at: <https://epa.maps.arcgis.com/apps/webappviewer/index.html?id=9ebb047ba3ec41ada1877155fe31356b>.

USEPA. 2023a. Puerto Rico Nonattainment/Maintenance Status for Each County by Year for All Criteria Pollutants. USEPA Green Book. Accessed January 31, 2023. Available at: [https://www3.epa.gov/airquality/greenbook/anayo\\_pr.html](https://www3.epa.gov/airquality/greenbook/anayo_pr.html).

USEPA. 2023b. EJScreen: Environmental Justice Screening and Mapping Tool. Accessed April 14, 2023. Available at: <https://www.epa.gov/ejscreen/download-ejscreen-data>.

U.S. Fish and Wildlife Service (USFWS). 2019. Coastal Barrier Resources System. Accessed January 31, 2023. Available at: <https://www.fws.gov/CBRA/Maps/Mapper.html>.

USFWS. 2023a. Information for Planning and Consultation (IPaC). Accessed March 4, 2023. Available at: <https://ipac.ecosphere.fws.gov/location/index>.

USFWS. 2023b. Critical Habitat for Threatened & Endangered Species. Accessed March 23, 2023. Available at: <https://fws.maps.arcgis.com/home/webmap/viewer.html?webmap=9d8de5e265ad4fe09893cf75b8dbfb77>.

USFWS. 2023c. National Wetlands Inventory Surface Waters and Wetlands Mapper. Accessed March 23, 2023. Available at: <https://fwsprimary.wim.usgs.gov/wetlands/apps/wetlands-mapper/>.

U.S. Forest Service. 2022. National Wild and Scenic River Segments. Accessed March 23, 2023. Available at: <https://www.rivers.gov/mapping-gis.php>; [Wild & Scenic Rivers | US Forest Service \(usda.gov\)](#).

U.S. Geological Survey (USGS). 2022. Concentration of Landslides caused by Hurricane Maria, Puerto Rico. Accessed March 1, 2023. Available at: [U.S. Landslide Inventory \(arcgis.com\)](#).

#### **List of Permits Obtained:**

No permits have been obtained.

#### **Public Outreach [24 CFR 58.43]:**

Puerto Rico Department of Agriculture has worked closely with the agricultural community. In compliance with the National Environmental Policy Act (NEPA) regulations for HUD, the public was notified of the project through publication of the combined Finding of No Significant Impact (FONSI) – Notice of Intent to Request Release of Funds (NOI-RROF) notice with a 15-day public comment period (see **Appendix D-** Finding of No Significant Impact and Notice of Intent to Request Release of Funds).

#### **Cumulative Impact Analysis [24 CFR 58.32]:**

The installation of a greenhouse and the purchase of a shredder/grinder, a cultivator, and cisterns at either project site location option is not anticipated to have a negative impact on environmental resources. None of the environmental assessment factors nor the regulations reviewed in the above checklist resulted in negative environmental impacts or the need for mitigation. Overall, the project will have a net positive impact by helping a small business increase their capacity for agricultural production. There are no other known planned or ongoing projects in the project vicinity that could contribute to cumulative impacts of environmental resources.

#### **Alternatives [24 CFR 58.40(e); 40 CFR 1508.9]**

Within the boundaries of the properties, two optional locations are considered for the new greenhouse: Option 1 is in the northwestern portion of the parcel next to the existing unfinished greenhouse; Option 2 is in the northcentral portion of the parcel, approximately 140 feet east of site Option 1. At this time, the applicant has not confirmed which location will be selected. Site Option 1 is closer to the existing greenhouse and is the preferred alternative since the applicant can connect the irrigation system from the

existing greenhouse to the aboveground connections of the new greenhouse. All the location options will involve some ground disturbance, but no tree clearing or pruning is required for construction.

Neither of the location options will result in the need for formal compliance or require further mitigation with any of the forementioned laws and authorities in the EA checklist. All the location options will allow the applicant to continue and increase their agricultural production.

Within the boundaries of the property, other locations could be considered for the new greenhouse; however, other locations may result in tree clearing prior to construction.

**No Action Alternative [24 CFR 58.40(e)]:**

Under the No Action Alternative, the applicant would not receive federal funding to purchase equipment and construct a new greenhouse. Consequently, the applicant may not be able to recover and continue agricultural production. Given the degree of need for greater agricultural capacity in Puerto Rico following Hurricanes Irma and María, the costs of foregoing the project would exceed the benefits.

**Summary of Findings and Conclusions:**

The proposed project would not result in any adverse effects on the surrounding natural, historical, and water resources; generate significant air or noise pollution; or promote socioeconomic injustices. The proposed project activities will not require further agency consultation. No mitigation or formal compliance steps will be required for any of the laws and authorities assessed in this review.

**Mitigation Measures and Conditions [40 CFR 1505.2(c)]**

Summarize below all mitigation measures adopted by the Responsible Entity to reduce, avoid, or eliminate adverse environmental impacts and to avoid non-compliance or non-conformance with the above-listed authorities and factors. These measures/conditions must be incorporated into project contracts, development agreements, and other relevant documents. The staff responsible for implementing and monitoring mitigation measures should be clearly identified in the mitigation plan.

<b>Law, Authority, or Factor</b>	<b>Mitigation Measure</b>
<b>Endangered Species</b> Endangered Species Act of 1973, particularly section 7; 50 CFR Part 402	<i>General Condition:</i> The current project activities do not involve the removal of trees. If any tree clearing is to be proposed, the project will need to be re-evaluated for impacts to threatened and endangered species.

	<p>If a Puerto Rican Boa (Boa) is found in the project activity site, work shall cease until the Boa moves off site on its own. If the Boa does not move off site, the construction manager shall contact the Puerto Rico DNER to relocate the Boa.</p>
<p><b>Historic Preservation</b> National Historic Preservation Act of 1966, particularly sections 106 and 110; 36 CFR Part 800</p>	<p><i>General Condition:</i> If historic properties are discovered, unanticipated effects on historic properties are found, or cultural materials are encountered, work should cease in the immediate area; work can continue where no historic properties or cultural materials are present. Please contact PRDOH to consult on further actions that may be necessary to protect historic properties or cultural materials.</p>
<p>Conformance with Plans / Compatible Land Use and Zoning / Scale and Urban Design</p>	<p>Any necessary construction permits should be obtained by the applicant and/or contractor from the appropriate department prior to construction activities.</p>
<p>Soil Suitability/ Slope/ Erosion/ Drainage/ Storm Water Runoff</p>	<p>Contractors will be required to use best management practices during construction if erosion impacts will occur.  Department of Natural and Environmental Resources (DNER) authorization may be required for any extraction, removal, excavation, and dredging of the components of the earth's crust.</p>
<p>Hazards and Nuisances including Site Safety and Noise</p>	<p>Contractors will be required to provide health and safety plans and monitoring during construction. Contractors will be required to comply with the applicable local noise ordinances. Noise impacts will be mitigated by restricting construction activities to daylight hours.</p>
<p>Solid Waste Disposal / Recycling</p>	<p>All construction debris will be disposed of at the proper facilities for the debris type.</p>

**Determination:**

**Finding of No Significant Impact** [24 CFR 58.40(g)(1); 40 CFR 1508.27]

The project will not result in a significant impact on the quality of the human environment.

**Finding of Significant Impact** [24 CFR 58.40(g)(2); 40 CFR 1508.27]

The project may significantly affect the quality of the human environment.

Preparer Signature: *Cristine Reguera* Date: June 29, 2023

Name/Title/Organization: Cristine Reguera, SWCA Environmental Consultants

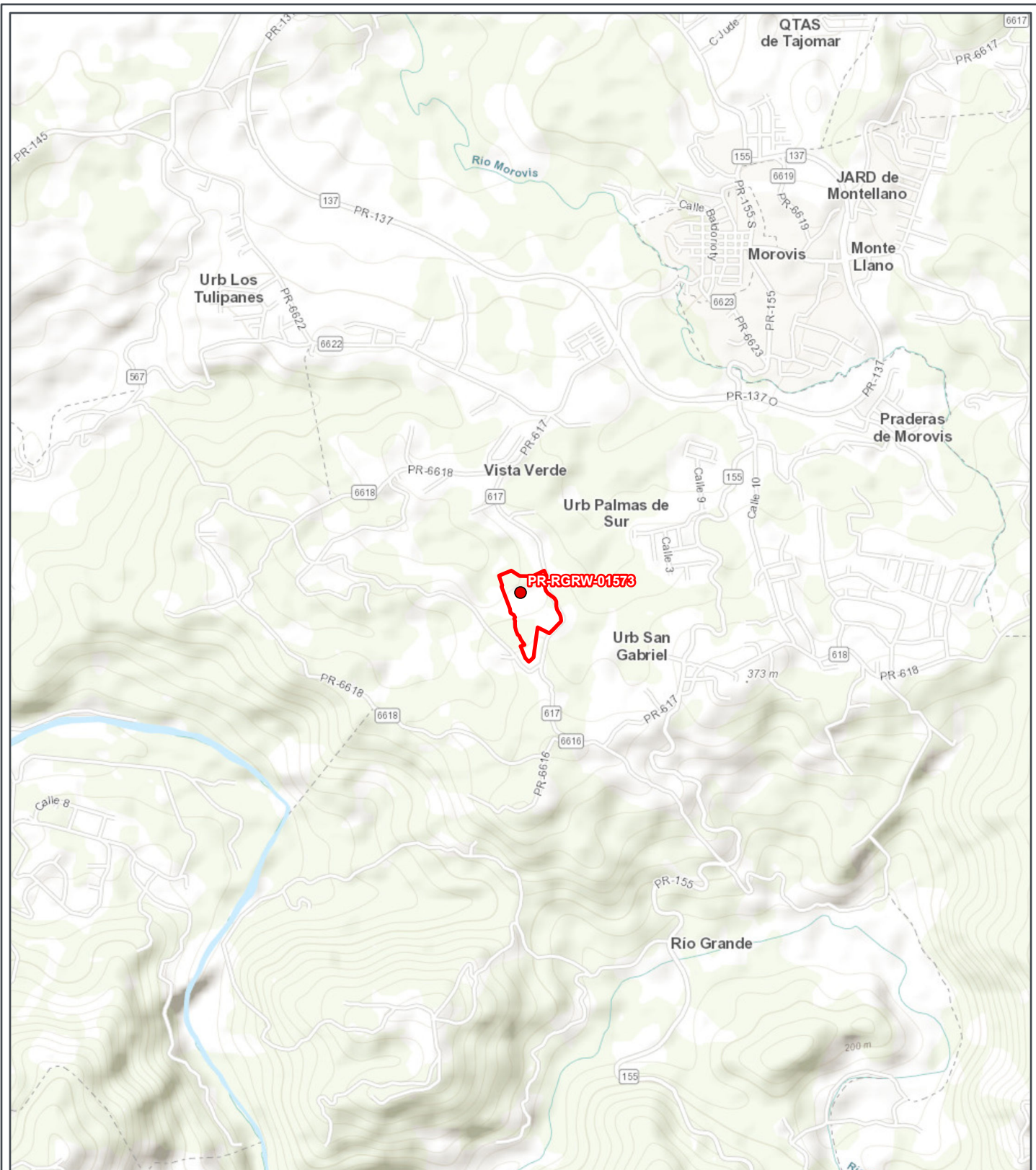
Certifying Officer Signature: *Pedro A. de León* Date: 12/6/2023

Name/Title: Pedro A. de León Rodríguez, MSEM/Permits and Environmental Compliance Specialist

This original, signed document and related supporting material must be retained on file by the Responsible Entity in an Environmental Review Record (ERR) for the activity/project (ref: 24 CFR Part 58.38) and in accordance with recordkeeping requirements for the HUD program(s).

# **Appendix A**

## **Project Overview Figures**



REGROW PROGRAM

**Figure A-1:  
Site Location**

Applicant ID: PR-RGRW-01573

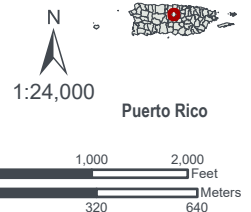
- Site
- ▭ Site Parcel

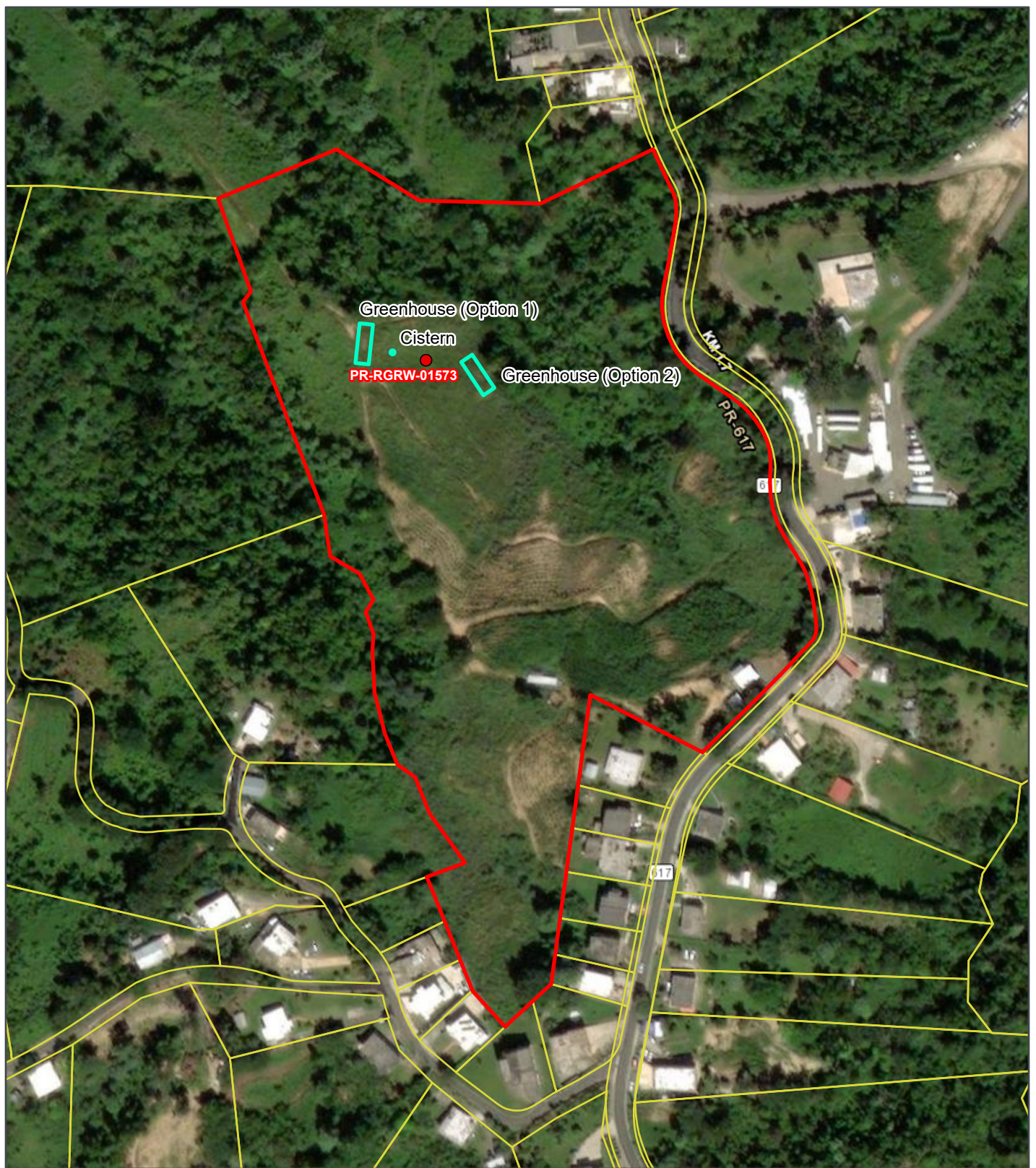


Carr 617 km 2.2 hm 3  
Morovis, Puerto Rico 00687

Parcel ID: 138-000-007-48-000  
Parcel Center:  
66.415882°W 18.312152°N

Base Map: ESRI ArcGIS Online,  
accessed May 2023  
Updated: 5/26/2023  
Layout: Site Location  
Aprx: 72428\_ReGrowTier2Maps





REGROW PROGRAM

**Figure A-2:  
Site Vicinity**

Applicant ID: PR-RGRW-01573



- Site
- Site Parcel
- Project Footprint (Option)

Carr 617 km 2.2 hm 3  
Morovis, Puerto Rico 00687  
Parcel ID: 138-000-007-48-000  
Parcel Center:  
66.415487°W 18.31121°N

Base Map: ESRI ArcGIS Online,  
accessed May 2023  
Updated: 5/26/2023  
Layout: Site Vicinity  
Aprx: 72428\_ReGrowTier2Maps

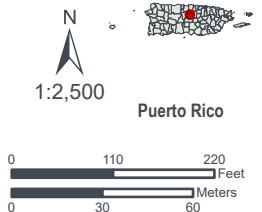




Figure A-3: Construction Plans



# H I G H T U N N E L

## 30' X 72'

DIBUJO NUM.	C O N T E N I D O S	HOJA NUM.
T-1	TITLE	1
A-1	FLOOR PLAN AND NOTES	2
A-2	SECCION AND VIEWS	3
S-1	STRUCTURAL ASSEMBLY CONNECTION DETAILS	4
S-2	STRUCTURAL ASSEMBLY CONNECTION DETAILS	5
S-3	STRUCTURAL ASSEMBLY CONNECTION DETAILS	6
INDEX		



**H o l v i n L M o n t a l v o C r u z**  
**— E n g i n e e r s — P l a n n e r s — C o n s u l t i n g —**  
 — P l a n n e r s — P l a n n e r s — C o n s u l t i n g —  
 — E n g i n e e r s — P l a n n e r s — C o n s u l t i n g —  
 Tel: (939) 452-5283

REVISIONS	SYMBOL	DATE	BY

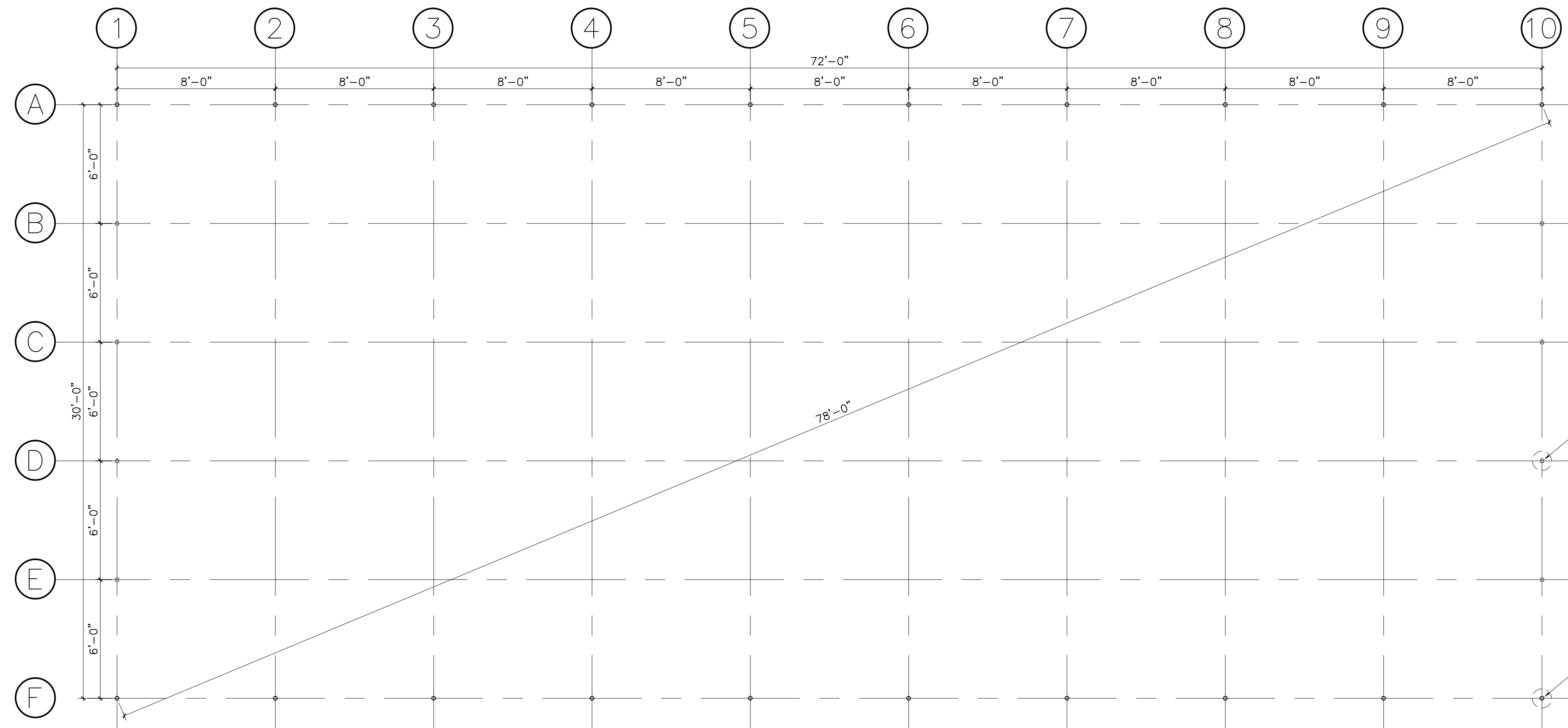
ME LOS DEBE ENTREGAR EN FORMA DE UNO DE LOS SIGUIENTES: UN ORIGINAL Y UNO COPIADO DEL DISEÑO QUE DEBE SER COMPLETAMENTE AMPLIO CONFORME AL ENTENDIDO DE LOS DISEÑADORES, INGENIEROS, ARQUITECTOS Y DISEÑADORES DE INTERIORES, PARA EL RECONOCIMIENTO DEL DISEÑO EN LAS AUTORIDADES COMPETENTES DEL GOBIERNO PUERTO RICO. EL ORIGINAL DEL DISEÑO DEBE SER ENTREGADO EN FORMA DE UN ORIGINAL Y UNO COPIADO DEL DISEÑO QUE DEBE SER COMPLETAMENTE AMPLIO CONFORME AL ENTENDIDO DE LOS DISEÑADORES, INGENIEROS, ARQUITECTOS Y DISEÑADORES DE INTERIORES, PARA EL RECONOCIMIENTO DEL DISEÑO EN LAS AUTORIDADES COMPETENTES DEL GOBIERNO PUERTO RICO. EL ORIGINAL DEL DISEÑO DEBE SER ENTREGADO EN FORMA DE UN ORIGINAL Y UNO COPIADO DEL DISEÑO QUE DEBE SER COMPLETAMENTE AMPLIO CONFORME AL ENTENDIDO DE LOS DISEÑADORES, INGENIEROS, ARQUITECTOS Y DISEÑADORES DE INTERIORES, PARA EL RECONOCIMIENTO DEL DISEÑO EN LAS AUTORIDADES COMPETENTES DEL GOBIERNO PUERTO RICO.

P.O. BOX 456  
 BARRANQUITAS, PR, 00794  
 TEL. (787) 380-7618



**TITLE SHEET**

STAMP:  
 Project:  
 Drawing by:  
 H. MONTALVO  
 Revised by:  
 ING. MONTALVO



**FLOOR PLAN**  
SCALE: 1/4" = 1'-0"

**General Notes:**

- Structure:
- Posts: 1 1/2" Diam. 13 ga. each, 8'-0" c.c. apart
  - Bows: 1 1/2" Diam. 16 ga. Bow Pipe each, 8'-0" c.c. apart
  - Purlins: 1 1/2" Diam. 16 ga. Pipe
  - Brace: 1 1/2" Diam. 16 ga. Endwall Truss Brace & Lateral Wind Brace
- End Walls: 2"x2" Sq. Pipe 14 ga. with extensions that connect to the arches  
Sliding door at one endwall. 6'-4" w.X 8'-4" h. covered with knitted shade  
See detail on page S-1
- Roof: Top (Roof Poly) Single Wire Lock & Wire  
Sidewalls: Single Single Wire Lock & Wire Along the Upper and Lower Parts  
End Walls: Single Single Wire Lock & Wire Along the Horizontal Truss and at the Bottom  
End Posts: Single Single Wire Lock & Wire Along Corners Posts
- Greenhouse Cover:
- Roof: Poly Plastic 6 mil., 4 years provides excellent durability and light transmission
  - All Walls: Shade cover type Knitted Shade

**Important Notes:**

While our greenhouses are designed to withstand the elements, we can not guarantee the plastic cover for the storm event. Events where the wind exceeds 45 m.p.h., we recommend removing the plastic covering the roof.

**Material Specification:**

- Concrete: All Concrete with minimum strength 2,500 psi at 28 days  
All Pipes: All Cold-Formed Steel Members shall be Galvanized and shall have a Maximum yield Strength Specified.
- PIPES:
- 2 1/2" Diam. 13 ga. Fy = 60 ksi
  - 2" x 2" Sq. Pipe 14 ga. Fy = 60 ksi
  - 1 1/2" Diam. 16 ga. Fy = 45 ksi
  - 1 1/2" Diam. 16 ga. Fy = 60 ksi
  - Other members: Fy = 50 ksi
- All Bolts: All Bolts should Conform to ASTM Spec. A-325 or Grade 5 Bolt holes shall be bolt diameter plus 1/16" Max. unless otherwise noted on Plans.
- Foundation: All Shooling shall rest on firm natural or compacted soil. Soil shall have a min. 2,500 psf bearing pressure.



**Holvín L. Montalvo Cruz**  
Engineers - Planners - Consulting  
Tel: (939) 452-5283  
REVISIONS

NO.	DATE	BY

INGENIERO LICENCIADO  
L.C. 14836  
PUERTO RICO

P.O. BOX 456  
BARRANQUITAS, PR. 00794  
TEL. (787) 380-7618



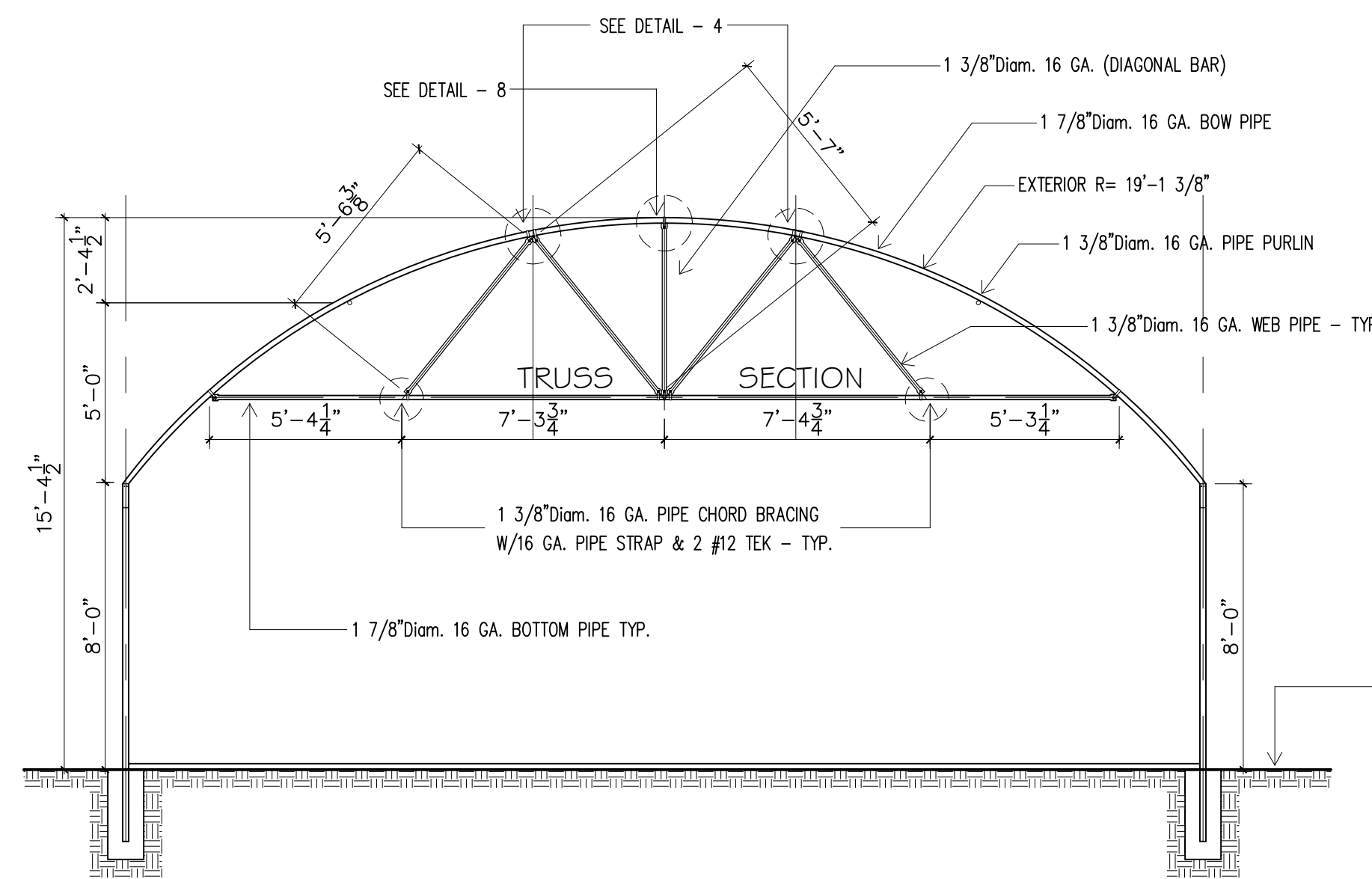
**FLOOR PLAN NOTES**

STAMP:

Project:  
Drawing by:  
H. MONTALVO  
Revised by:  
ING. MONTALVO

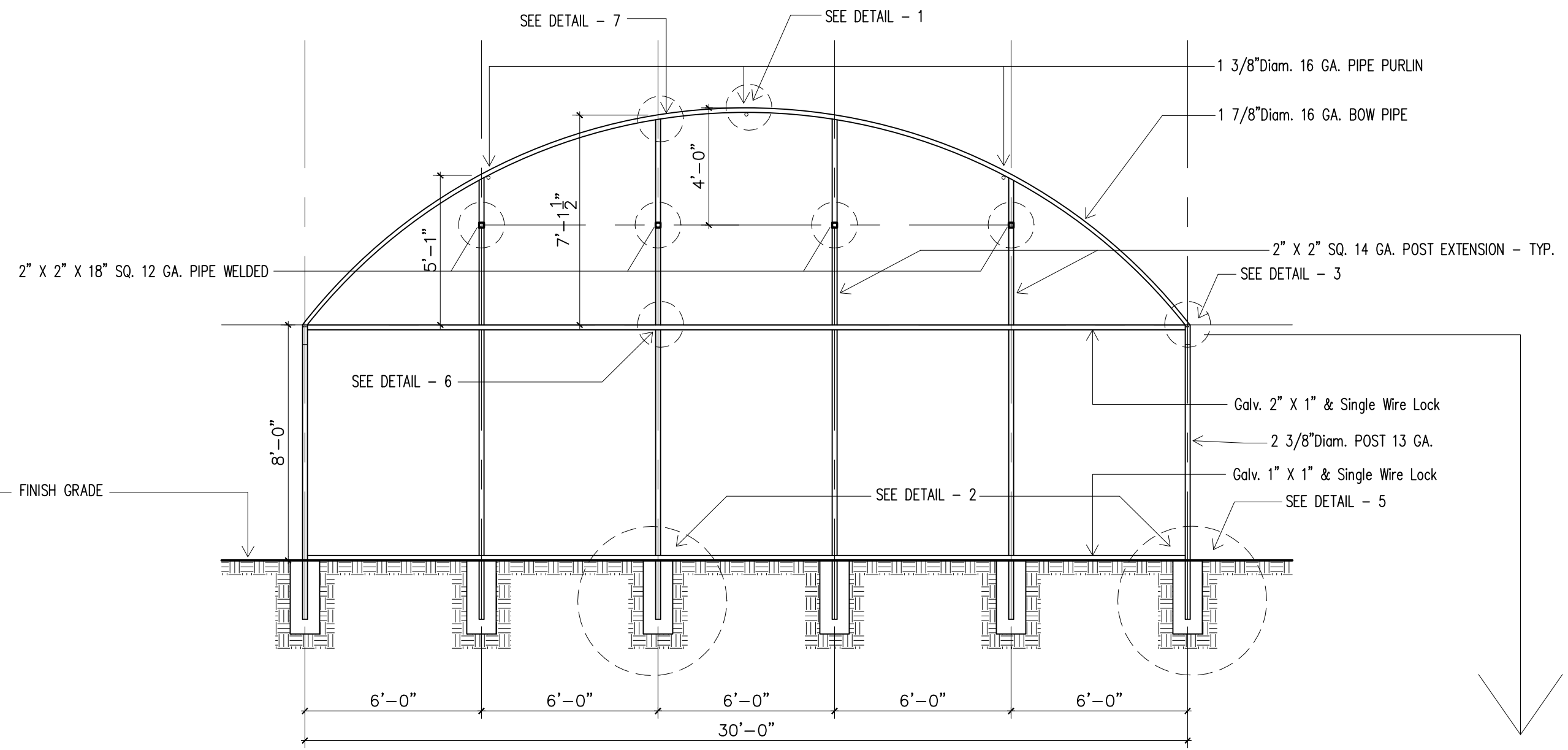
2 of 6

**A-1**

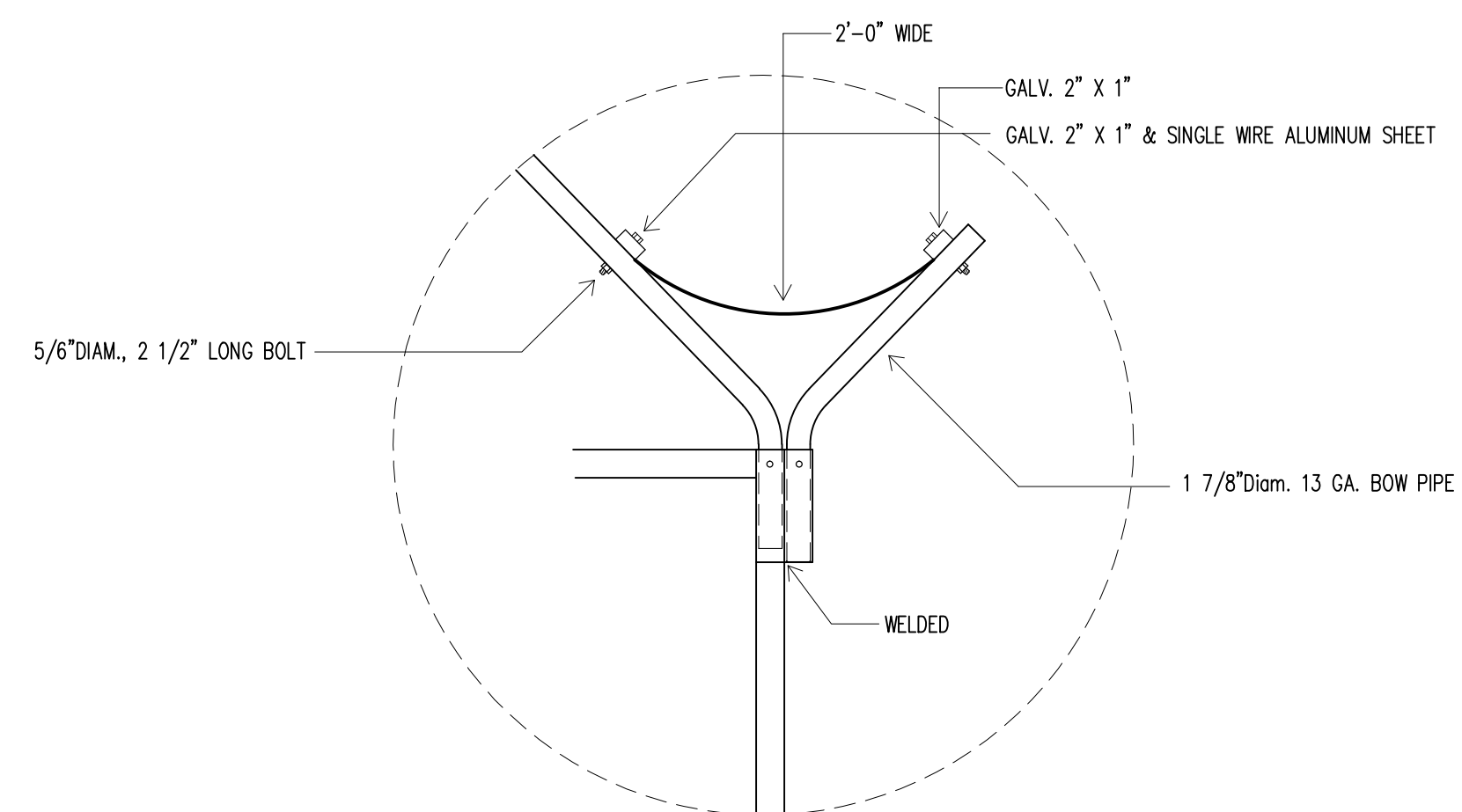


**SECTION VIEW**  
SCALE: 1/4"=1'-0"

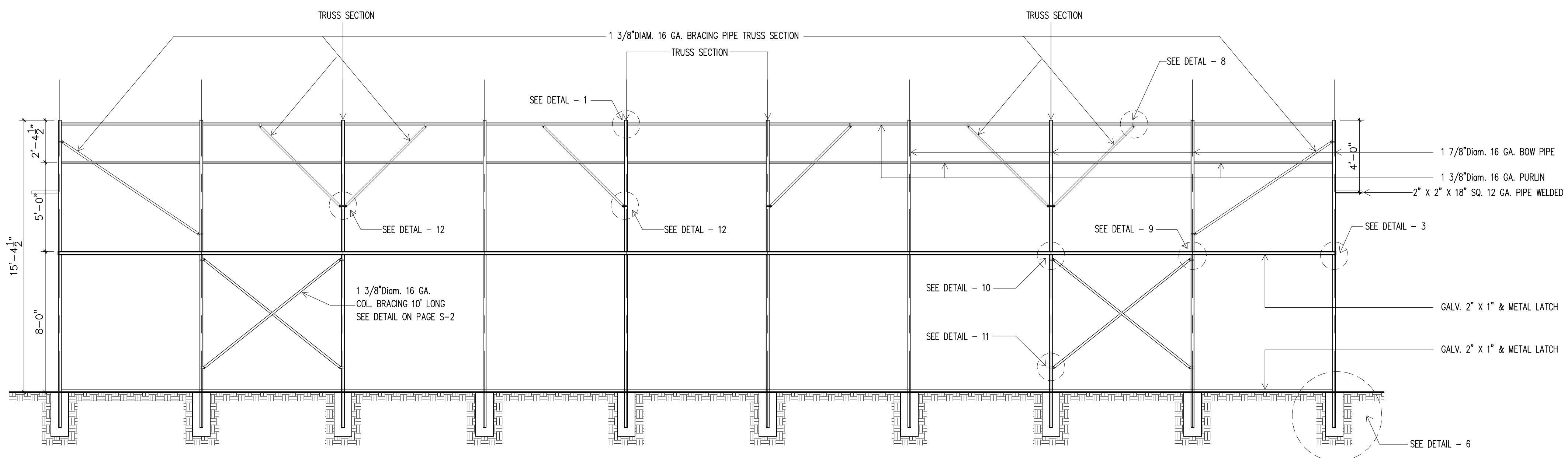
TRUSS SECTIONS CONSISTS OF:  
Truss system: Lower chord: 1 3/8" Diam. 1 G Ga. galv. tube  
Truss members: 1 3/8" Diam. 1 G Ga. (4 piece in a "W" configuration)



**END VIEW**  
SCALE: 1/4"=1'-0"



**OPTIONAL DRAINAGE DETAIL**  
SCALE: N.T.S.



**END VIEW**  
SCALE: 1/4"=1'-0"

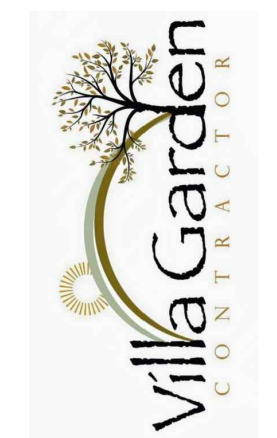


**Holivin L. Montalvo Cruz**  
Engineers - Planners - Consulting  
Tel: (939) 452-5283

REVISIONS	SYMBOL	DATE	BY

ESTE DISEÑO, DIBUJO, O DISEÑO DE OBRAS DE CONSTRUCCION, INGENIERIA, O DISEÑO DE SISTEMAS DE INGENIERIA, SE HA REALIZADO EN SU TOTALIDAD POR EL INGENIERO LICENCIADO EN PUERTO RICO, HOLIVIN L. MONTALVO CRUZ, LIC. 14804, Y SE ENTREGA COMO TAL. EL INGENIERO LICENCIADO EN PUERTO RICO, HOLIVIN L. MONTALVO CRUZ, LIC. 14804, ACEPTA RESPONSABILIDAD POR LA OBRERA Y LA OBRERA DE LA OBRERA EN LA OBRERA.

P.O. BOX 456  
BARRANQUITAS, PR. 00794  
TEL. (787) 380-7618

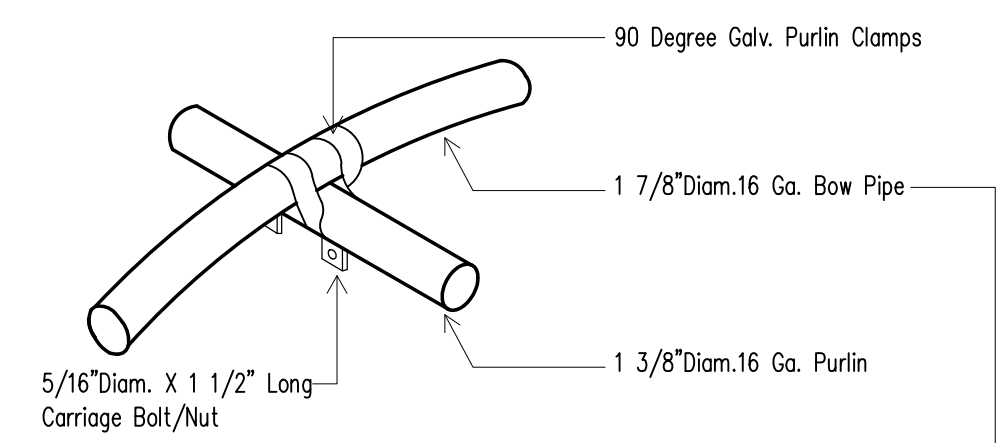


**SECTION VIEW  
END VIEW  
SIDE VIEW**

STAMP:  
Project:  
Drawing by:  
H. MONTALVO  
Revised by:  
ING. MONTALVO

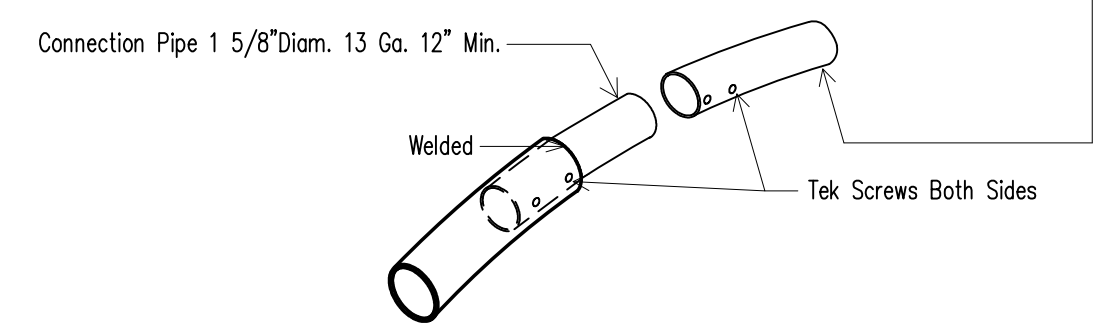
3 of 6

A-2

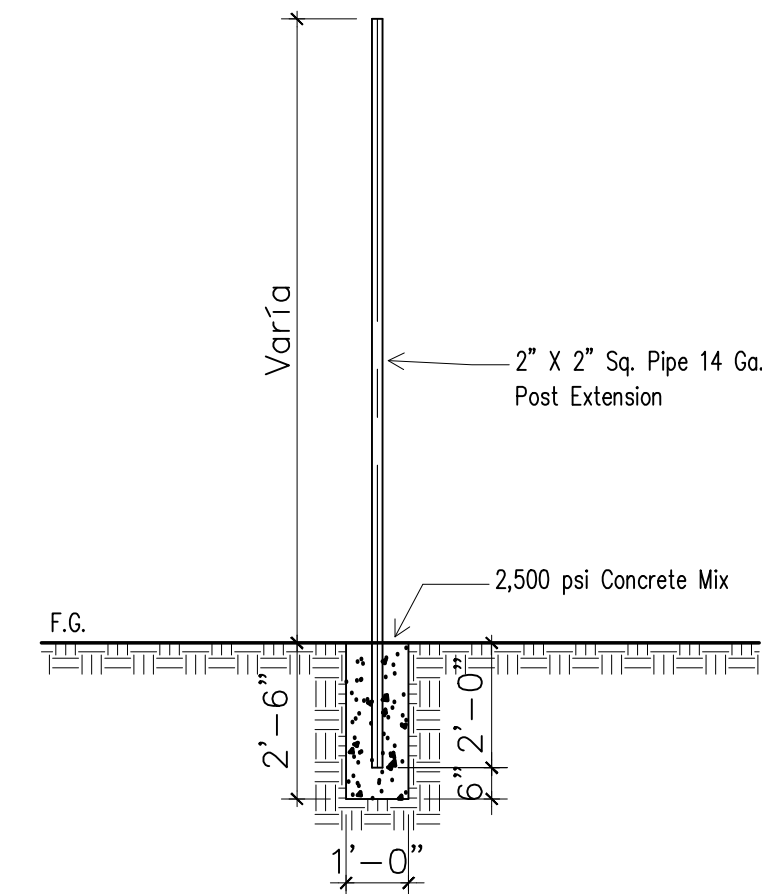


PURLIN CONNECTION - TYP.

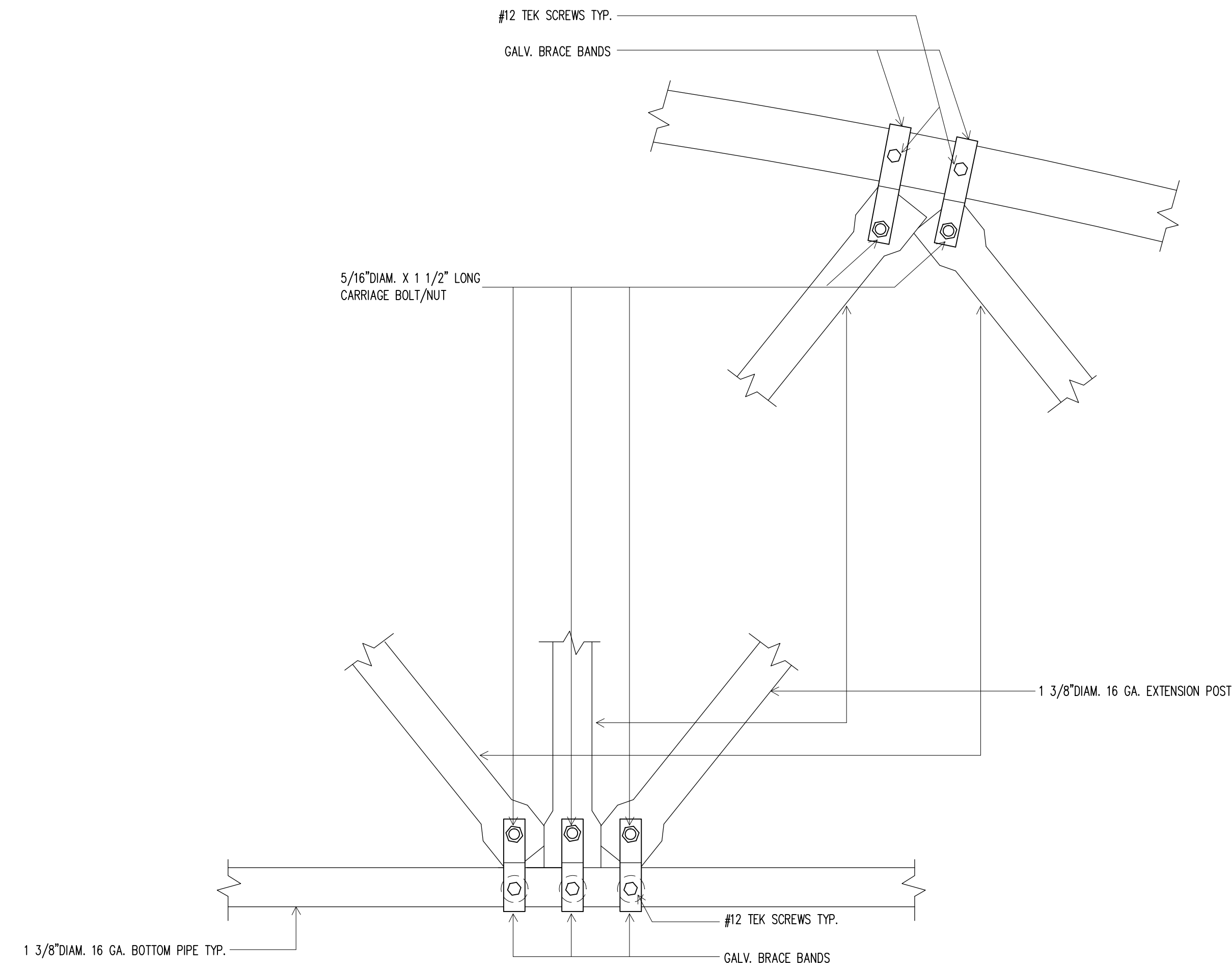
**DETAIL - 1**  
SCALE: N.T.S.



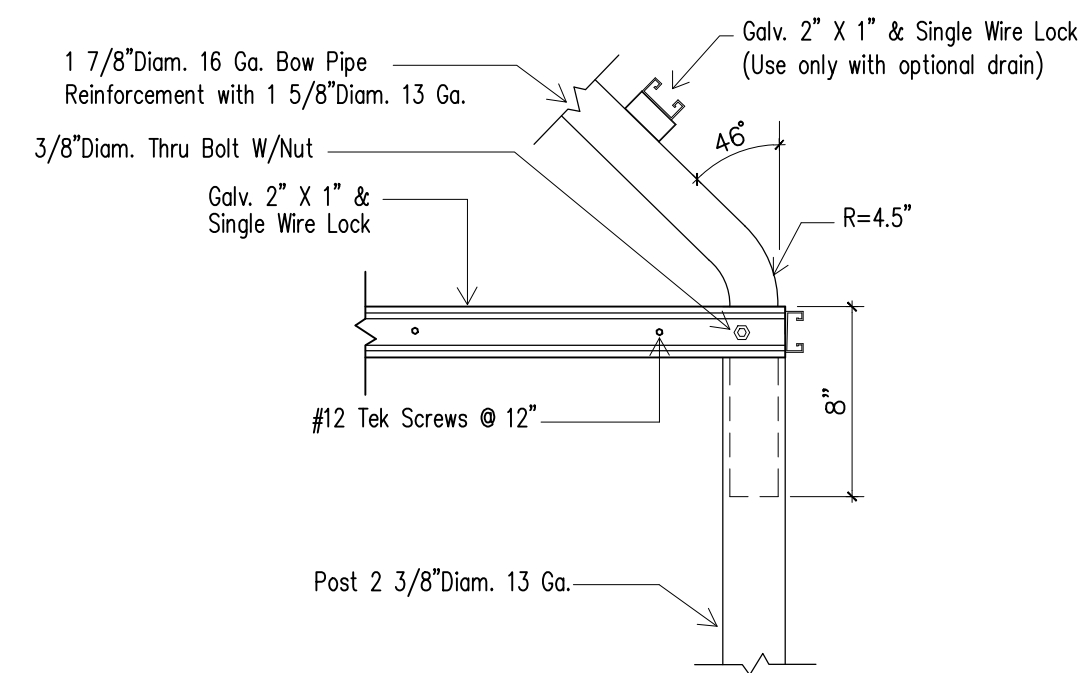
**BOW CONNECTION DETAIL**  
SCALE: N.T.S.



**DETAIL - 2**  
SCALE: N.T.S.

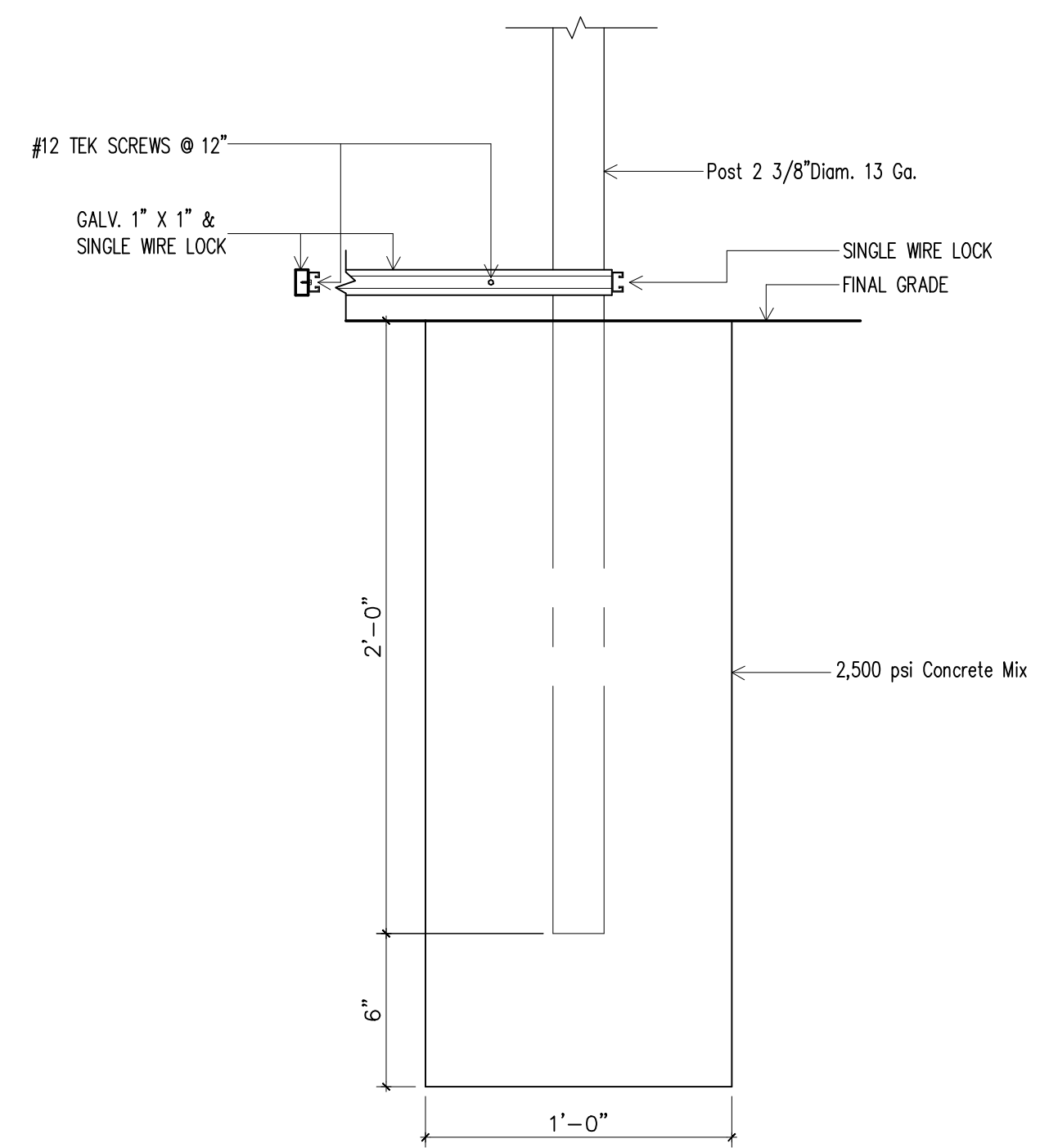


**DETAIL - 4**  
SCALE: N.T.S.

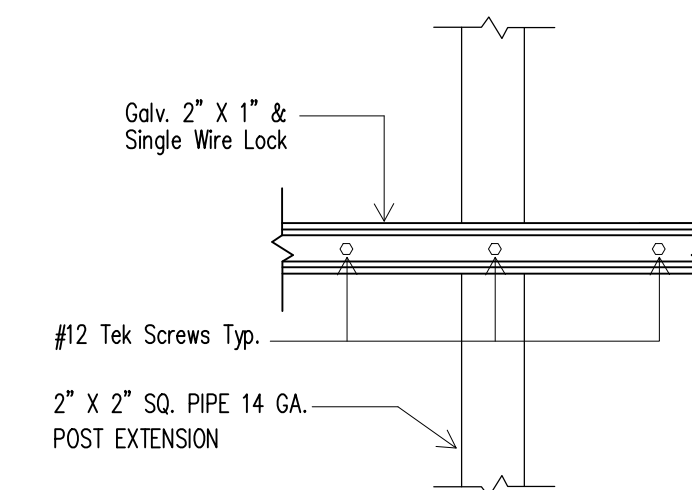


NOTE:  
SHALL BE INSTALLED SCREW 3/8\"/>

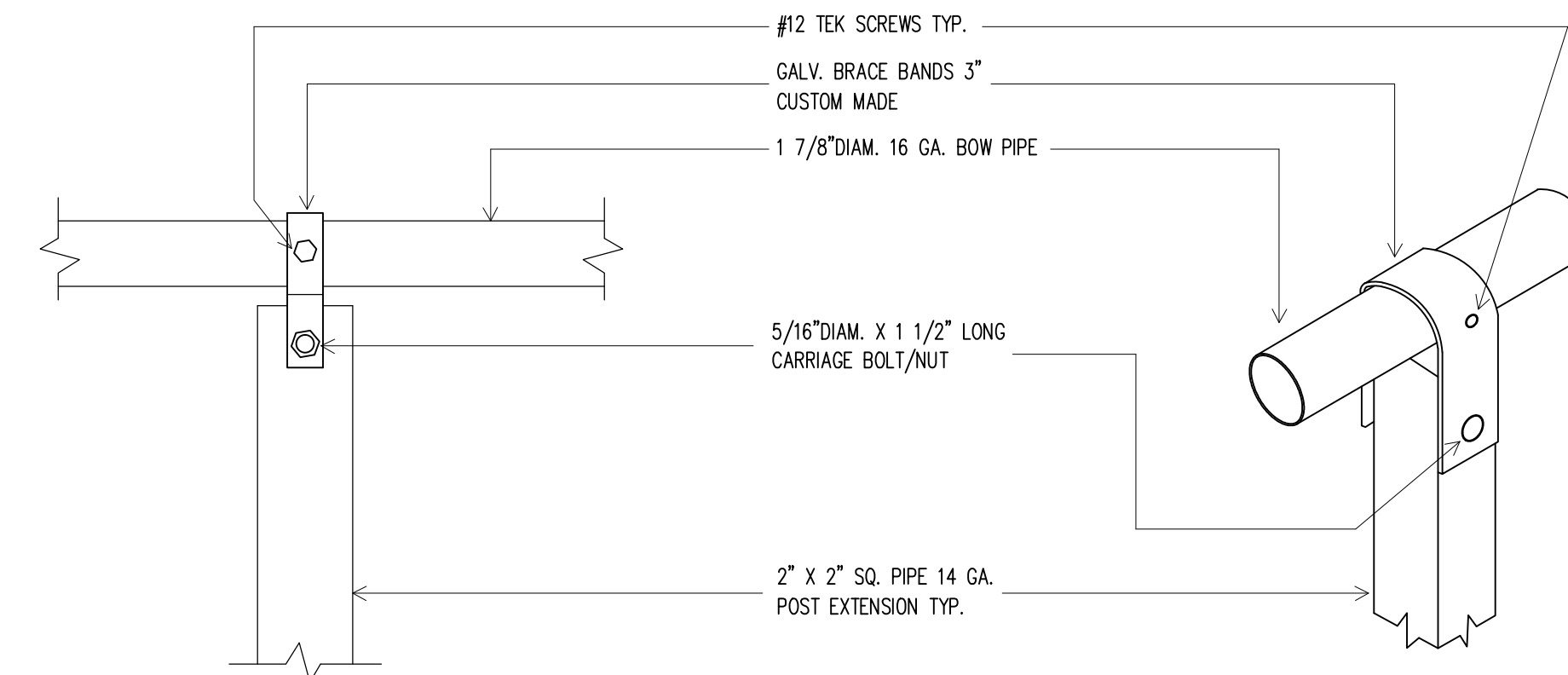
**DETAIL - 3**  
SCALE: N.T.S.



**DETAIL - 5**  
SCALE: N.T.S.



**DETAIL - 6**  
SCALE: N.T.S.



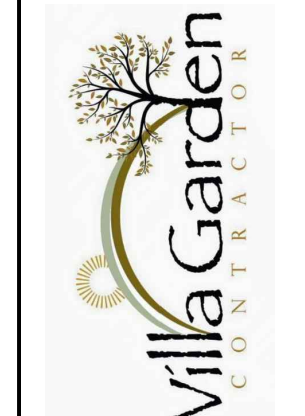
**DETAIL - 7**  
SCALE: N.T.S.



<b>Holvin L. Montalvo Cruz</b>	
Planners - Consulting	SYMBOL
Engineers	DATE
Tel: (939) 452-5283	
REVISIONS	
	BY

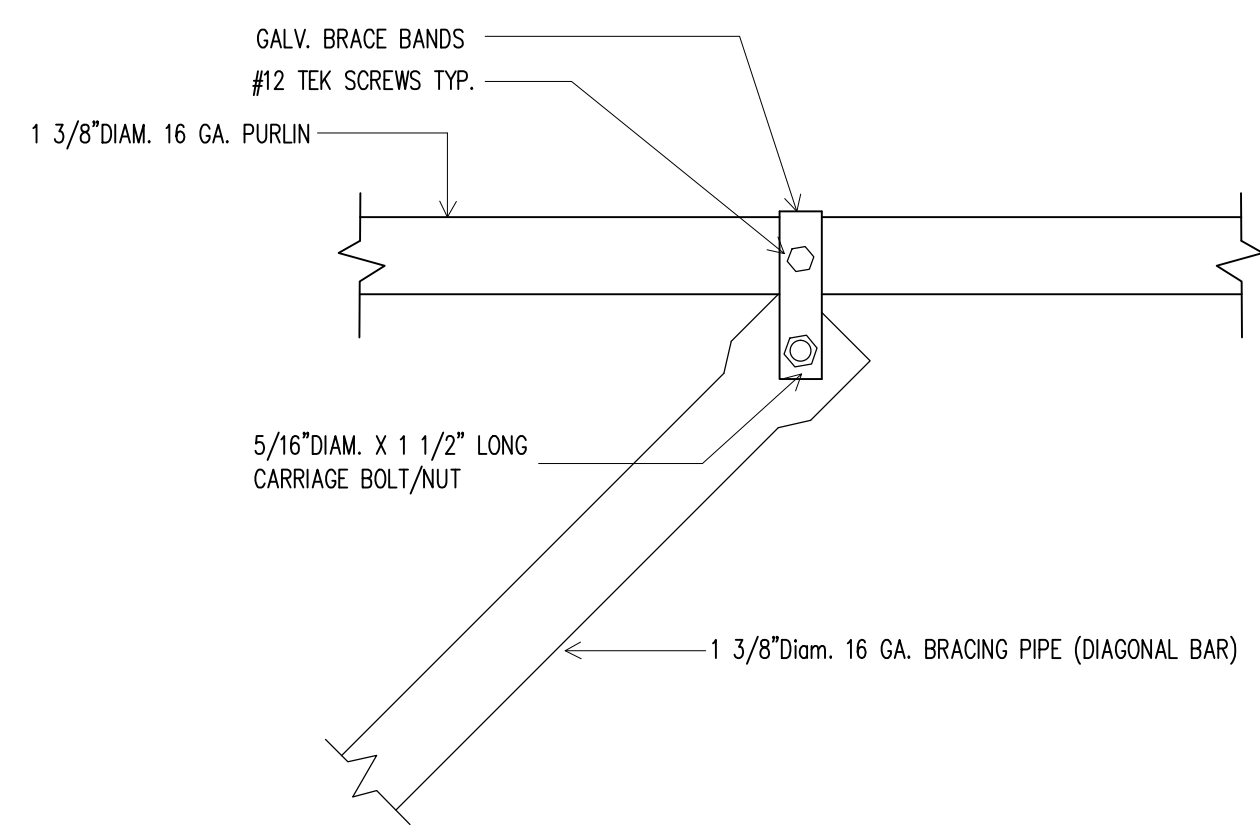
INGENIERO LICENCIADO  
LIC. 14806  
PUERTO RICO

P.O. BOX 456  
BARRANQUITAS, PR, 00794  
TEL. (787) 380-7618

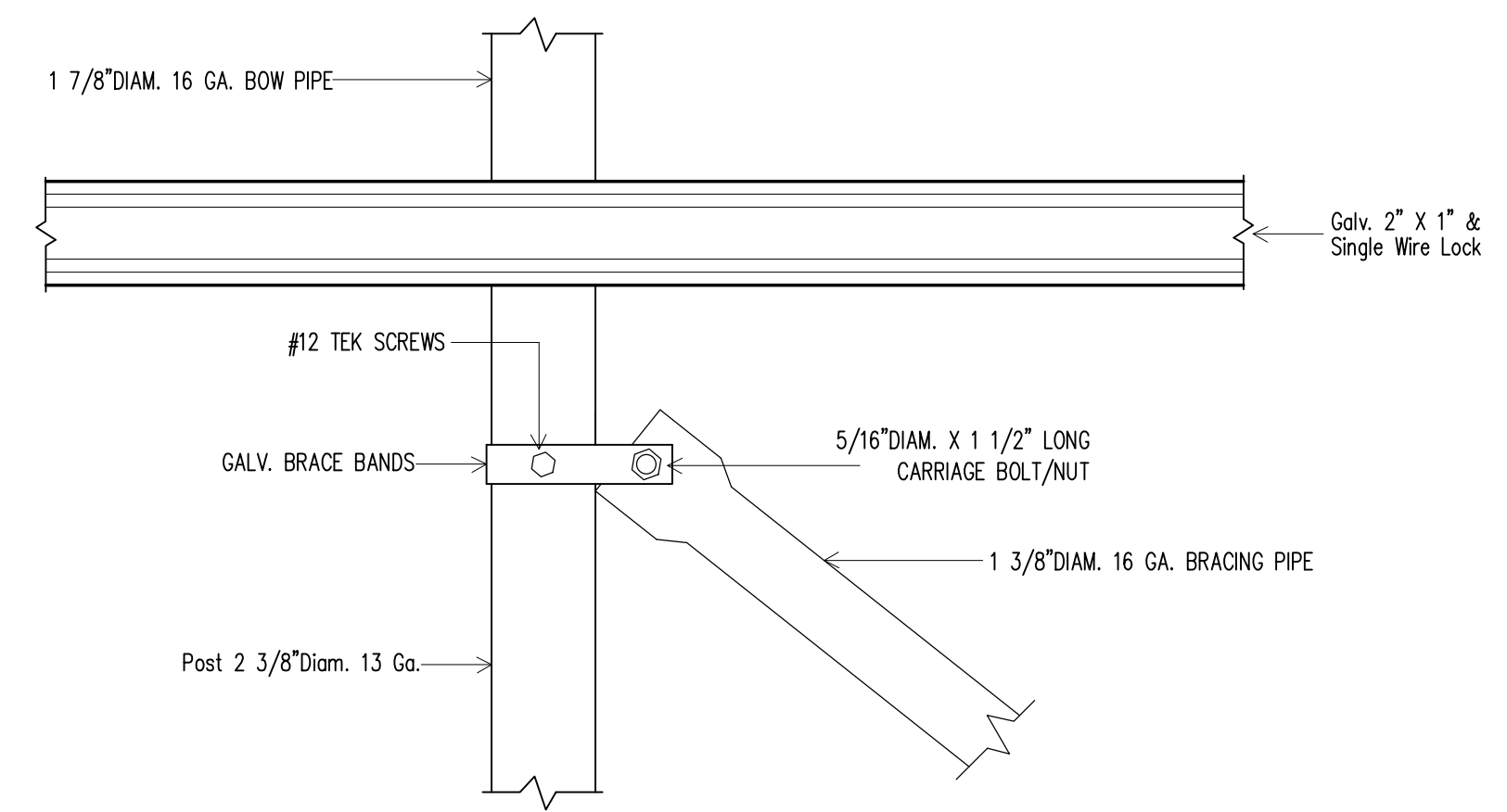


**STRUCTURAL ASSEMBLY CONNECTION DETAILS**

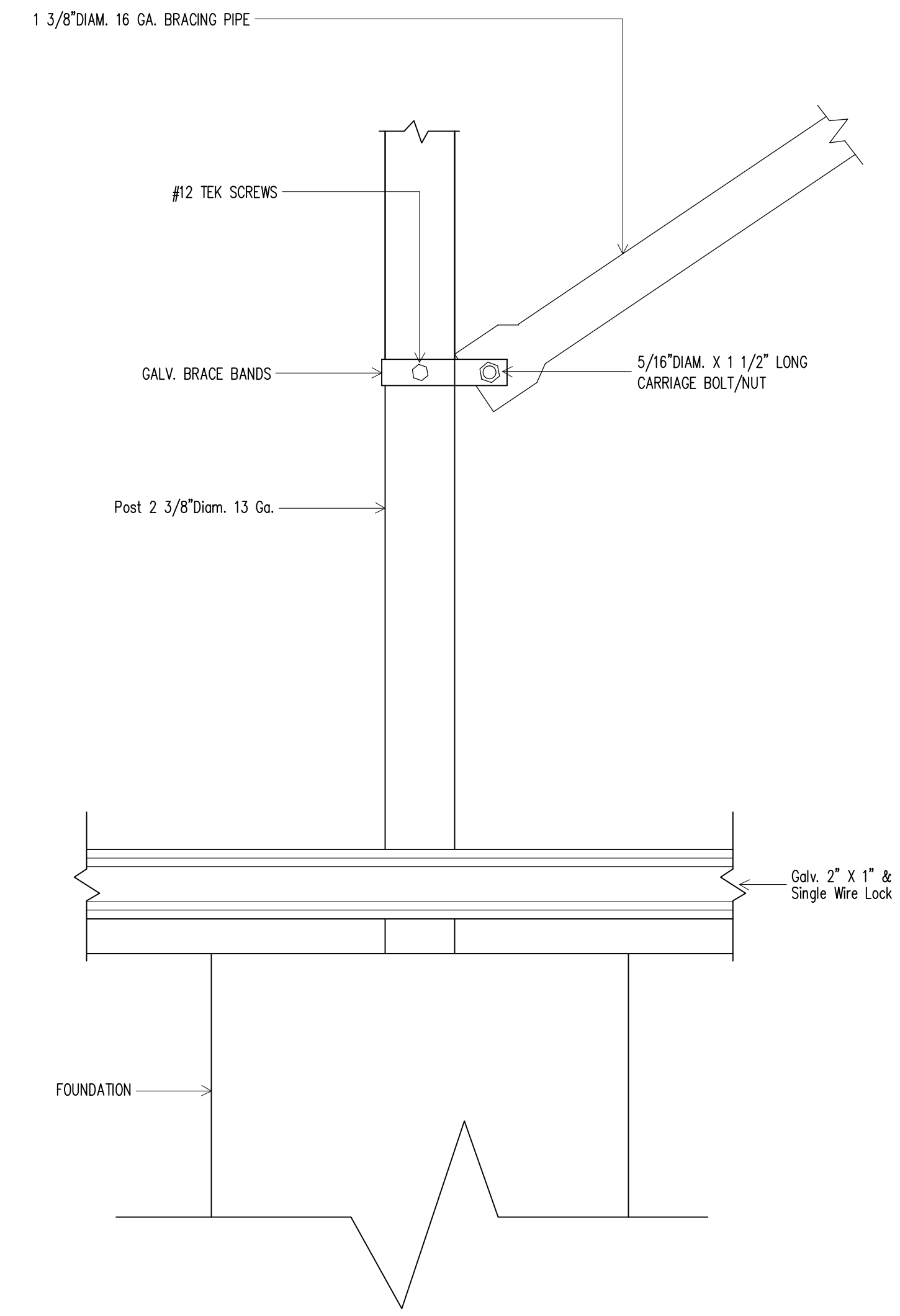
Project:  
Drawing by:  
H. MONTALVO  
Revised by:  
ING. MONTALVO



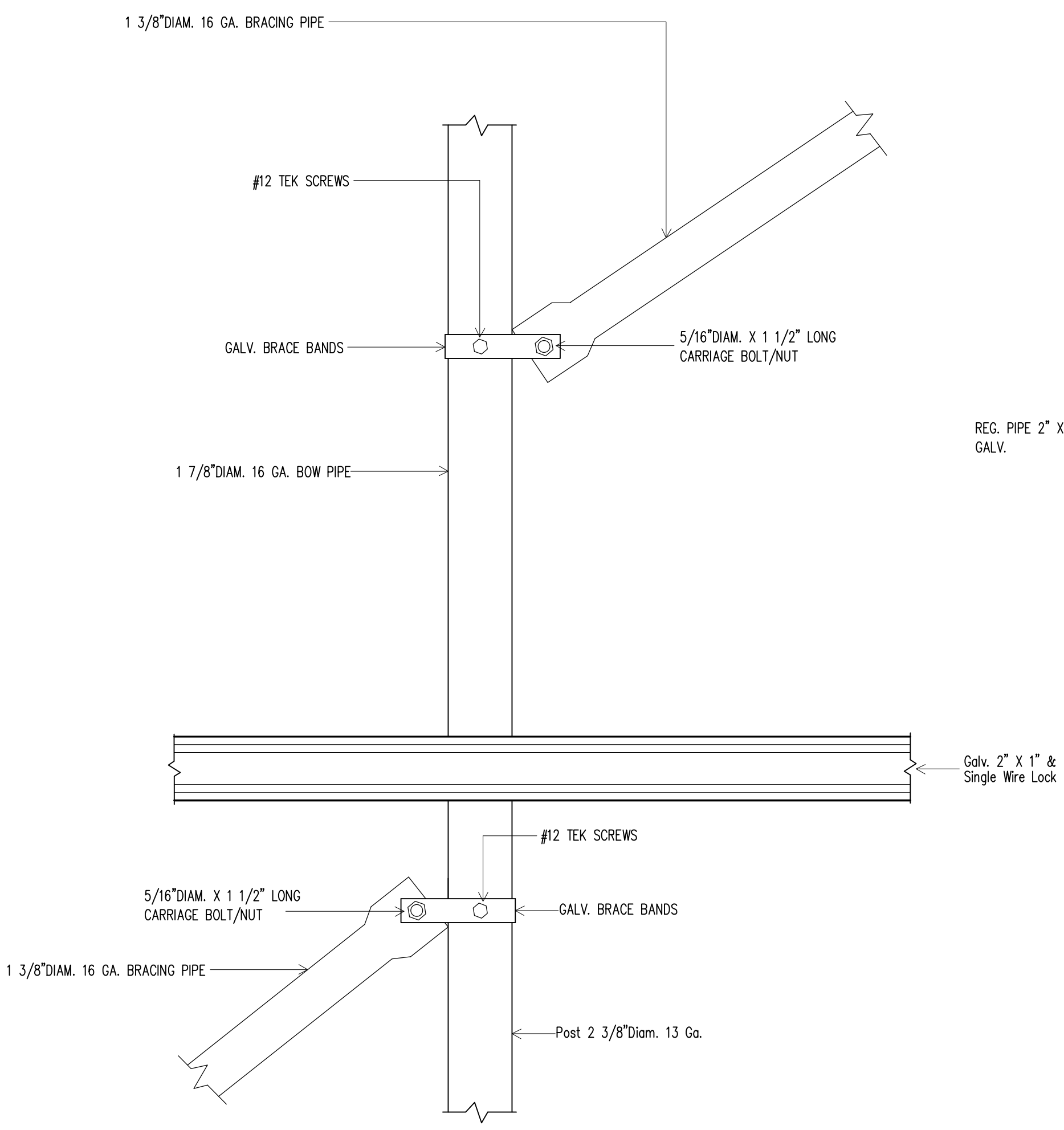
**DETAIL - 8**  
SCALE: N.T.S.



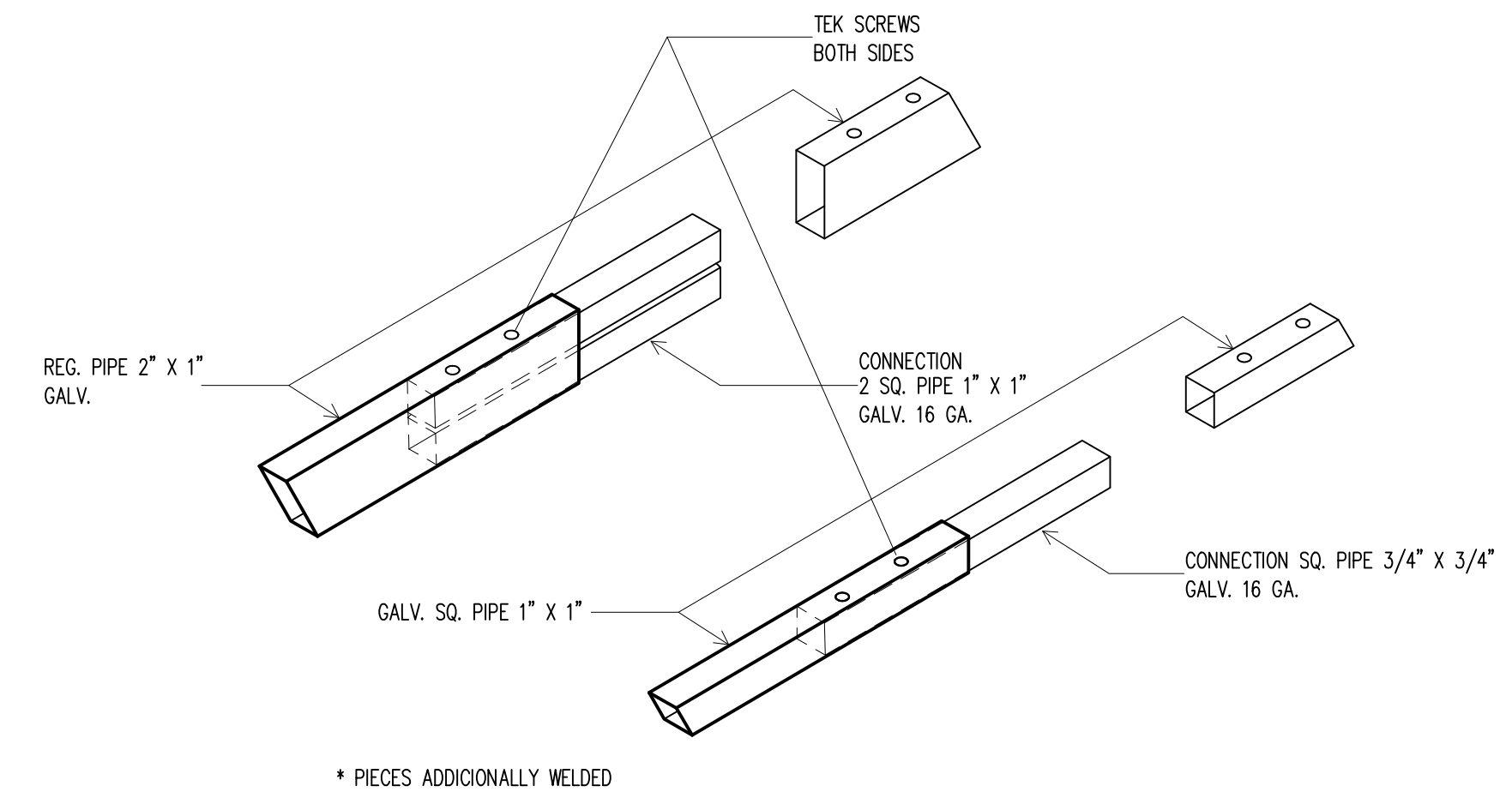
**DETAIL - 10**  
SCALE: N.T.S.



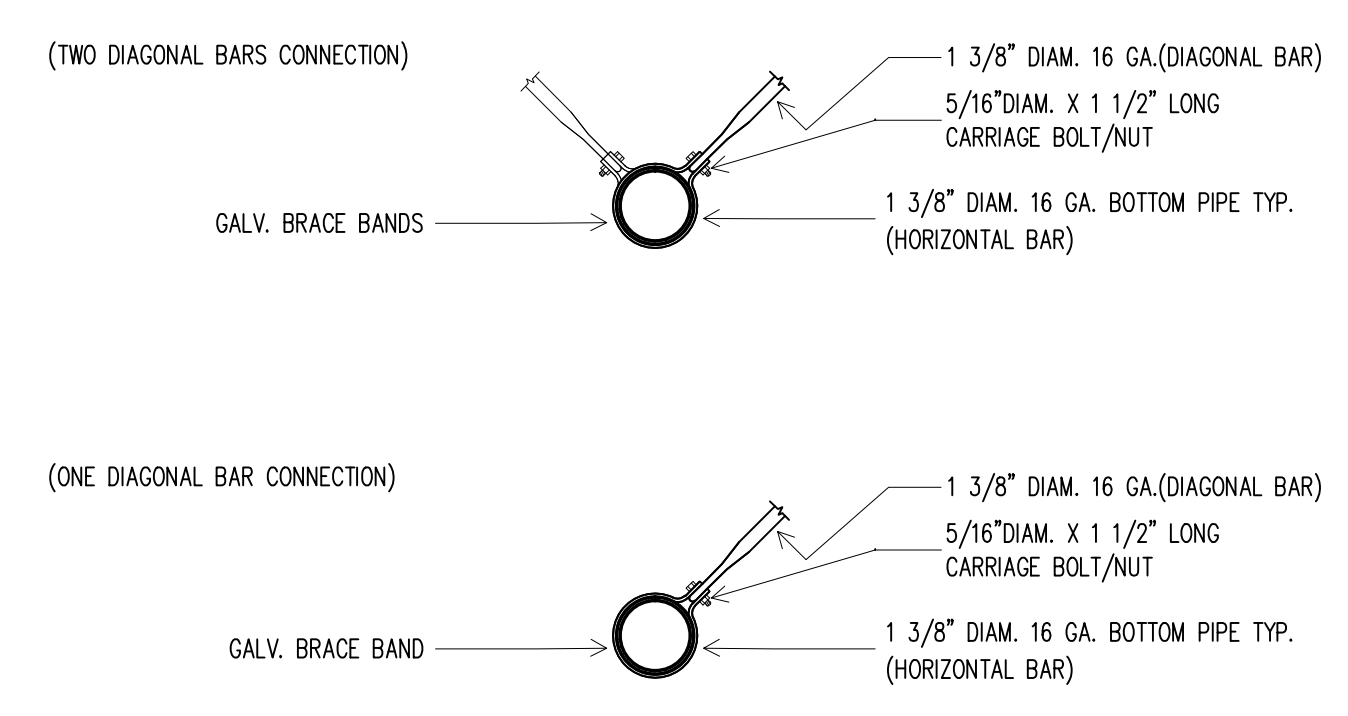
**DETAIL - 11**  
SCALE: N.T.S.



**DETAIL - 9**  
SCALE: N.T.S.



**CONNECTION TYPICAL DETAIL**  
SCALE: N.T.S.



**DETAIL - 12**  
SCALE: N.T.S.



<b>H. MONTALVO</b>	
Planners - Consulting	Engineers
Tel: (939) 452-5283	
REVISIONS	DATE BY

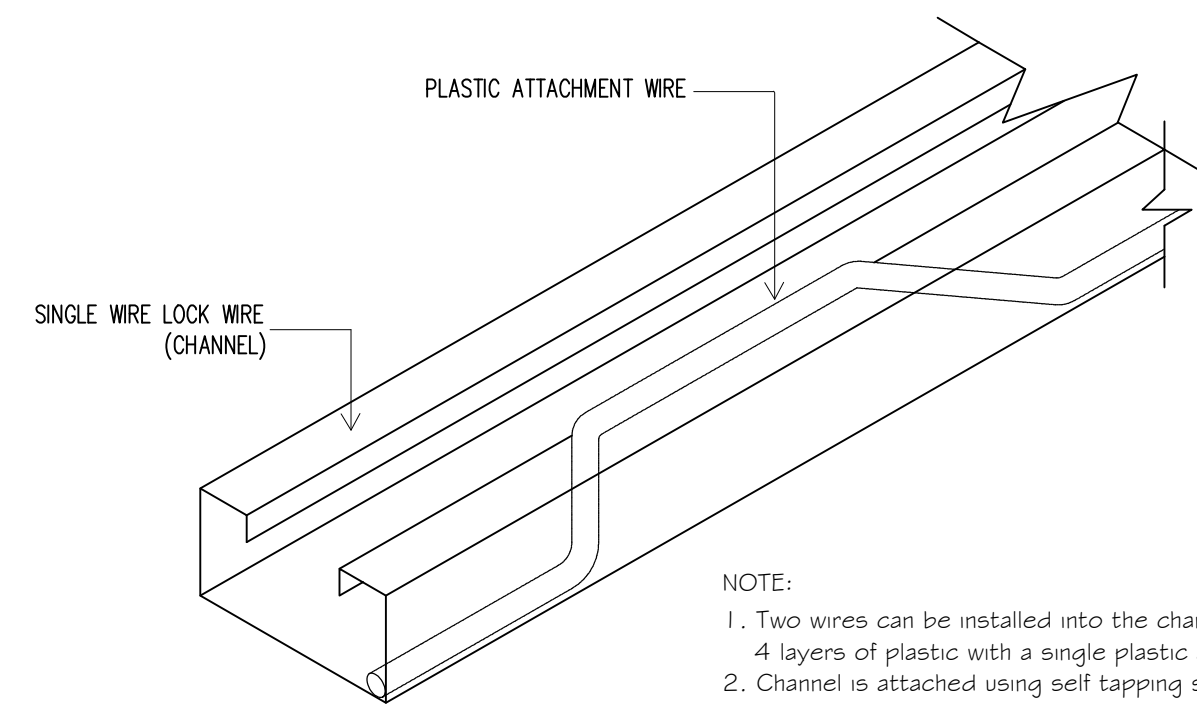
INGENIERO LICENCIADO  
L.E. 14808  
PUERTO RICO

P.O. BOX 456  
BARRANQUITAS, PR. 00794  
TEL. (787) 380-7618



**STRUCTURAL ASSEMBLY CONNECTION DETAILS**

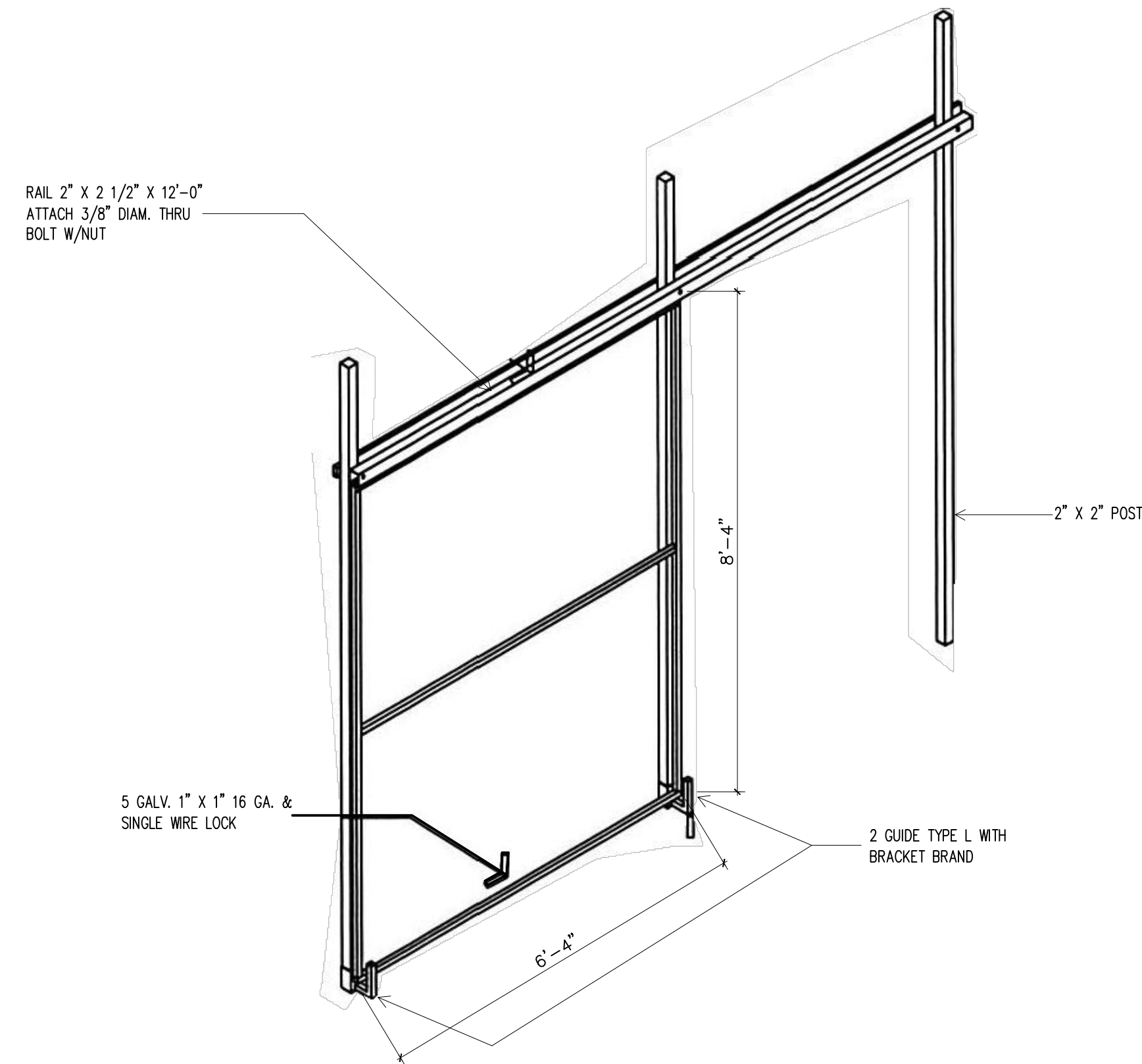
Project:  
Drawing by:  
H. MONTALVO  
Revised by:  
ING. MONTALVO



NOTE:  
 1. Two wires can be installed into the channel, securing up to 4 layers of plastic with a single plastic attachment channel  
 2. Channel is attached using self tapping screws

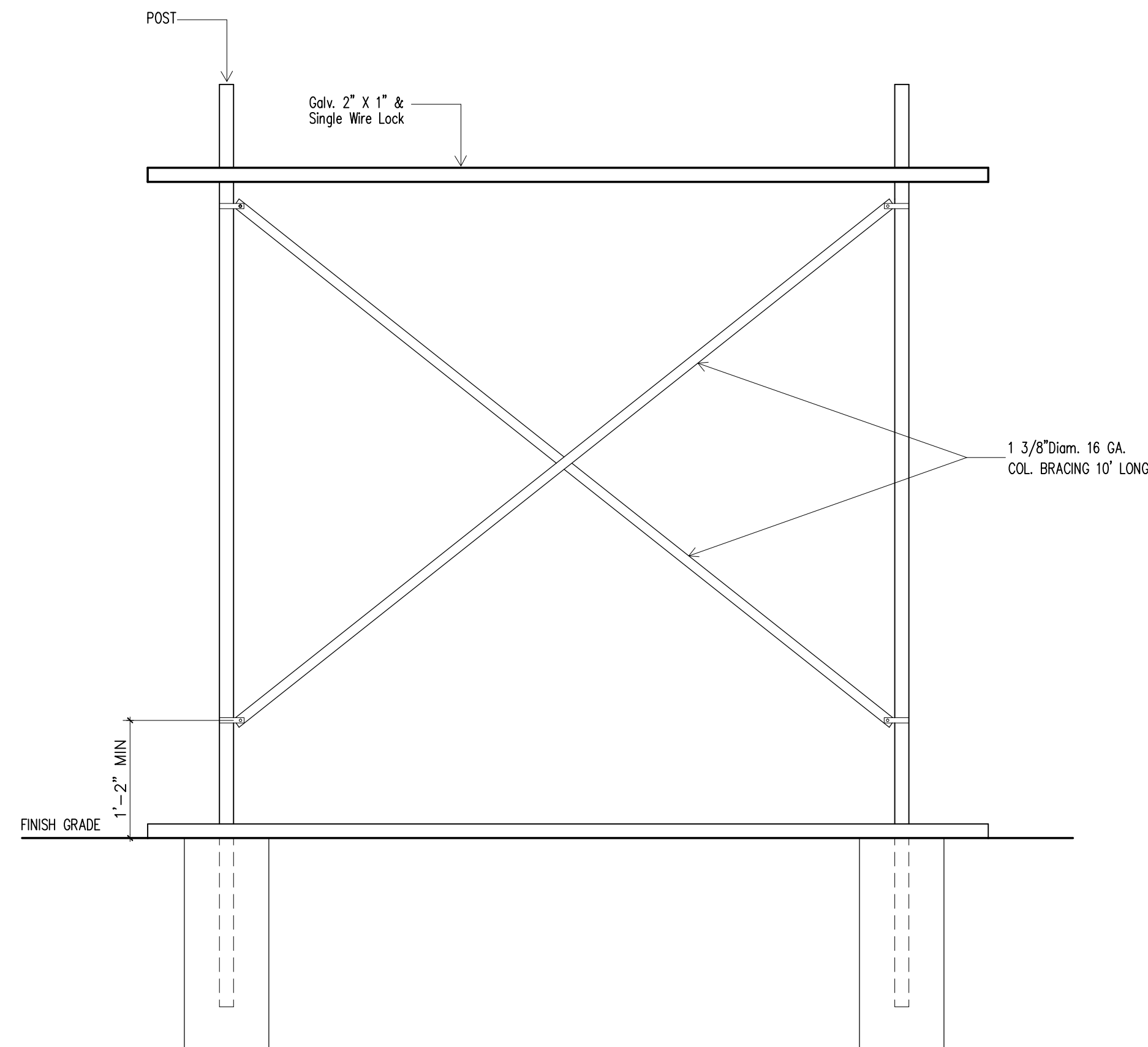
**SINGLE WIRE LOCK & WIRE DETAIL**

SCALE: N.T.S.



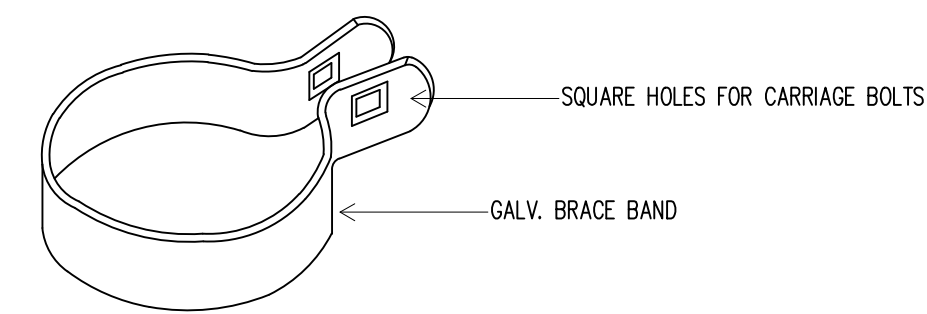
**SLIDING DOOR DETAIL**

SCALE: N.T.S.



**BRACING DETAIL**

SCALE: N.T.S.



NOTE:  
 Galvanized steel with square holes allowed for strong connections and use of carriage bolts.

**GALVANIZED BRACE BAND DETAIL**

SCALE: N.T.S.



**H. MONTALVO CRUZ**  
 Engineers - Planners - Consulting  
 Tel: (939) 452-5283  
 REVISIONS

SYMBOL	DATE	BY

INGENIERO LICENCIADO EN PUERTO RICO  
 H. MONTALVO CRUZ  
 LIC. 14806  
 PUERTO RICO

P.O. BOX 456  
 BARRANQUITAS, PR. 00794  
 TEL. 787380-7618



**STRUCTURAL ASSEMBLY CONNECTION DETAILS**

STAMP:  
 Project:  
 Drawing by:  
 H. MONTALVO  
 Revised by:  
 ING. MONTALVO

6 of 6

S-3



REGROW PROGRAM

**Figure A-4:  
USGS Landslide Map**

Applicant ID: PR-RGRW-01573



- Site
- Site Parcel
- Project Footprint (Option)
- Greater than 25 Landslides per sq km
- Less than 25 Landslides per sq km
- No Landslides
- Not Examined

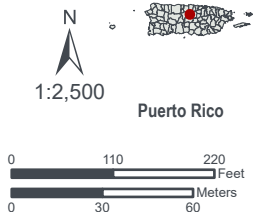
Carr 617 km 2.2 hm 3  
Morovis, Puerto Rico 00687

Parcel ID: 138-000-007-48-000

Parcel Center:  
66.415882°W 18.312152°N

Base Map: ESRI ArcGIS Online,  
accessed March 2023  
Updated: 3/23/2023

Layout: Landslide  
Aprx: 72428\_ReGrowTier2Maps



**Appendix B**  
**Attachments and Supporting**  
**Documentation**



**Attachment 1**

**Airport Hazards Partner Worksheet and**

**Airport Hazards Map**



**U.S. DEPARTMENT OF HOUSING AND URBAN DEVELOPMENT**  
WASHINGTON, DC 20410-1000

This Worksheet was designed to be used by those “Partners” (including Public Housing Authorities, consultants, contractors, and nonprofits) who assist Responsible Entities and HUD in preparing environmental reviews, but legally cannot take full responsibilities for these reviews themselves. Responsible Entities and HUD should use the RE/HUD version of the Worksheet.

## **Airport Hazards (CEST and EA) – PARTNER**

<https://www.hudexchange.info/environmental-review/airport-hazards>

**1. To ensure compatible land use development, you must determine your site’s proximity to civil and military airports. Is your project within 15,000 feet of a military airport or 2,500 feet of a civilian airport?**

No → *If the RE/HUD agrees with this recommendation, the review is in compliance with this section. Continue to the Worksheet Summary below. Provide a map showing that the site is not within the applicable distances to a military or civilian airport.*

Yes → *Continue to Question 2.*

**2. Is your project located within a Runway Potential Zone/Clear Zone (RPZ/CZ) or Accident Potential Zone (APZ)?**

Yes, project is in an APZ → *Continue to Question 3.*

Yes, project is an RPZ/CZ → *Project cannot proceed at this location.*

No, project is not within an APZ or RPZ/CZ

→ *If the RE/HUD agrees with this recommendation, the review is in compliance with this section. Continue to the Worksheet Summary below. Continue to the Worksheet Summary below. Provide a map showing that the site is not within either zone.*

**3. Is the project in conformance with DOD guidelines for APZ?**

Yes, project is consistent with DOD guidelines without further action.

→ *If the RE/HUD agrees with this recommendation, the review is in compliance with this section. Continue to the Worksheet Summary below. Provide any documentation supporting this determination.*

No, the project cannot be brought into conformance with DOD guidelines and has not been approved. → *Project cannot proceed at this location.*

**If mitigation measures have been or will be taken, explain in detail the proposed measures that must be implemented to mitigate for the impact or effect, including the timeline for implementation.**

Click here to enter text.

→ *Work with the RE/HUD to develop mitigation measures. Continue to the Worksheet Summary below. Provide any documentation supporting this determination.*

### **Worksheet Summary**

Provide a full description of your determination and a synopsis of the information that it was based on, such as:

- Map panel numbers and dates
- Names of all consulted parties and relevant consultation dates
- Names of plans or reports and relevant page numbers
- Any additional requirements specific to your program or region

**Include all documentation supporting your findings in your submission to HUD.**

The project site is not within 2,500 feet of a civil primary or commercial service airport or within 15,000 feet of a military airport. The nearest civil primary or commercial service airport, Fernando Luis Ribas Dominicci, is located 23 miles west of the project site. The nearest military airport, Luis Munoz Marin International, is located 28 miles from the project site.



REGROW PROGRAM

**Figure B 1-1:  
Airport Hazards Map**

Applicant ID: PR-RGRW-01573



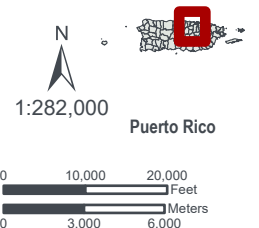
- Site
- Airport Runway
- Accident Potential Zones (APZ)
- Runway Protection Zones (RPZ)
- 2,500-FT Civil Airport Buffer
- 15,000-FT Military Airport Buffer

Carr 617 km 2.2 hm 3  
Morovis, Puerto Rico 00687

Parcel ID: 138-000-007-48-000  
Parcel Center:  
66.216017°W 18.383943°N

Data Source: <https://geodata.bts.gov/>  
Base Map: ESRI ArcGIS Online,  
accessed May 2023

Updated: 5/26/2023  
Layout: Airport Hazards  
Aprx: 72428\_ReGrowTier2Maps



## **Attachment 2**

# **Coastal Barrier Resources Act Partner Worksheet and Coastal Barrier Resources Map**



**U.S. DEPARTMENT OF HOUSING AND URBAN DEVELOPMENT**  
WASHINGTON, DC 20410-1000

This Worksheet was designed to be used by those “Partners” (including Public Housing Authorities, consultants, contractors, and nonprofits) who assist Responsible Entities and HUD in preparing environmental reviews, but legally cannot take full responsibilities for these reviews themselves. Responsible Entities and HUD should use the RE/HUD version of the Worksheet.

## Coastal Barrier Resources (CEST and EA) – PARTNER

<https://www.hudexchange.info/environmental-review/coastal-barrier-resources>

Projects located in the following states must complete this form.

Alabama	Georgia	Massachusetts	New Jersey	Puerto Rico	Virgin Islands
Connecticut	Louisiana	Michigan	New York	Rhode Island	Virginia
Delaware	Maine	Minnesota	North Carolina	South Carolina	Wisconsin
Florida	Maryland	Mississippi	Ohio	Texas	

### 1. Is the project located in a CBRS Unit?

- No → *If the RE/HUD agrees with this recommendation, the review is in compliance with this section. Continue to the Worksheet Summary below. Provide a map showing that the site is not within a CBRS Unit.*
- Yes → *Continue to 2.*

Federal assistance for most activities may not be used at this location. You must either choose an alternate site or cancel the project. In very rare cases, federal monies can be spent within CBRS units for certain exempted activities (e.g., a nature trail), after consultation with the Fish and Wildlife Service (FWS) (see [16 USC 3505](#) for exceptions to limitations on expenditures).

### 2. Indicate your recommended course of action for the RE/HUD

- Consultation with the FWS
- Cancel the project

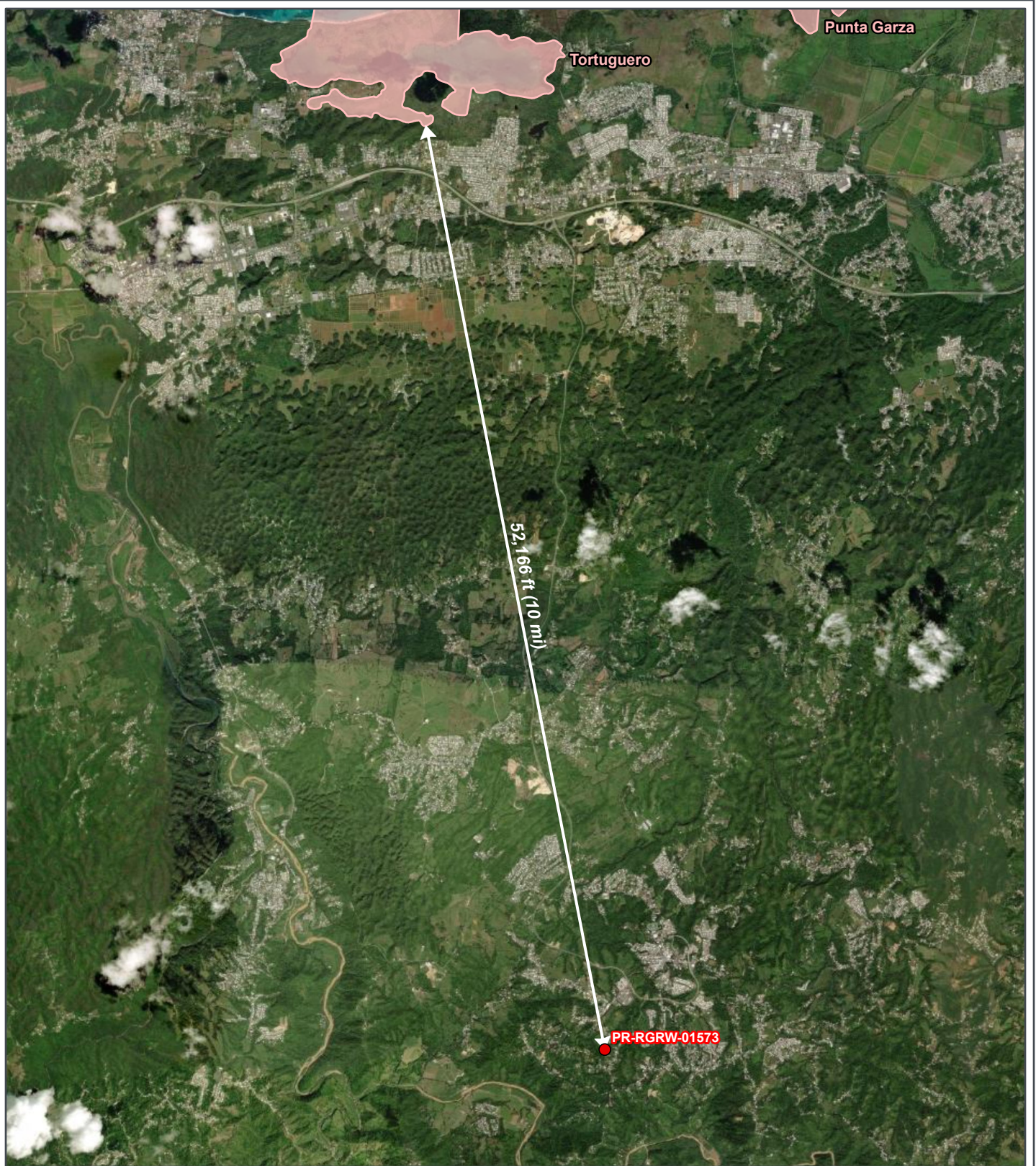
### **Worksheet Summary**

Provide a full description of your determination and a synopsis of the information that it was based on, such as:

- Map panel numbers and dates
- Names of all consulted parties and relevant consultation dates
- Names of plans or reports and relevant page numbers
- Any additional requirements specific to your program or region

### **Include all documentation supporting your findings in your submission to HUD.**

The project site is not located in a Coastal Barrier Resource Systems Unit (CBRS). There are no CBRS units in Morovis. The closest CBRS unit, Tortuguero, is 10 miles north of the project site.



REGROW PROGRAM

**Figure B 2-1: Coastal Barrier Resources Map**

Applicant ID: PR-RGRW-01573

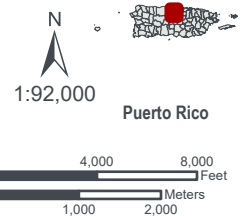


- Site
- Otherwise Protected Area
- System Unit

Carr 617 km 2.2 hm 3  
Morovis, Puerto Rico 00687

Parcel ID: 138-000-007-48-000  
Parcel Center:  
66.430166°W 18.382672°N

Data Source: <https://cbrsgis.wim.usgs.gov/arcgis/rest/services/CoastalBarrierResourcesSystem/MapServer>  
Base Map: ESRI ArcGIS Online, accessed May 2023  
Updated: 5/26/2023  
Layout: Coastal Barrier Resources System



## **Attachment 3**

# **Flood Insurance Partner Worksheet and Flood Insurance Rate Map**





U.S. DEPARTMENT OF HOUSING AND URBAN DEVELOPMENT  
WASHINGTON, DC 20410-1000

This Worksheet was designed to be used by those “Partners” (including Public Housing Authorities, consultants, contractors, and nonprofits) who assist Responsible Entities and HUD in preparing environmental reviews, but legally cannot take full responsibilities for these reviews themselves. Responsible Entities and HUD should use the RE/HUD version of the Worksheet.

## Flood Insurance (CEST and EA) – PARTNER

<https://www.hudexchange.info/environmental-review/flood-insurance>

**1. Does this project involve mortgage insurance, refinance, acquisition, repairs, rehabilitation, or construction of a structure, mobile home, or insurable personal property?**

No. This project does not require flood insurance or is excepted from flood insurance.

→ Continue to the Worksheet Summary.

Yes → Continue to Question 2.

**2. Provide a FEMA/FIRM map showing the site.**

The Federal Emergency Management Agency (FEMA) designates floodplains. The [FEMA Map Service Center](#) provides this information in the form of FEMA Flood Insurance Rate Maps (FIRMs).

**Is the structure, part of the structure, or insurable property located in a FEMA-designated Special Flood Hazard Area?**

No → Continue to the Worksheet Summary.

Yes → Continue to Question 3.

**3. Is the community participating in the National Flood Insurance Program or has less than one year passed since FEMA notification of Special Flood Hazards?**

Yes, the community is participating in the National Flood Insurance Program.

Flood insurance is required. Provide a copy of the flood insurance policy declaration or a paid receipt for the current annual flood insurance premium and a copy of the application for flood insurance.

→ Continue to the Worksheet Summary.

Yes, less than one year has passed since FEMA notification of Special Flood Hazards.

If less than one year has passed since notification of Special Flood Hazards, no flood insurance is required.

→ Continue to the Worksheet Summary.

No. The community is not participating, or its participation has been suspended.

Federal assistance may not be used at this location. Cancel the project at this location.

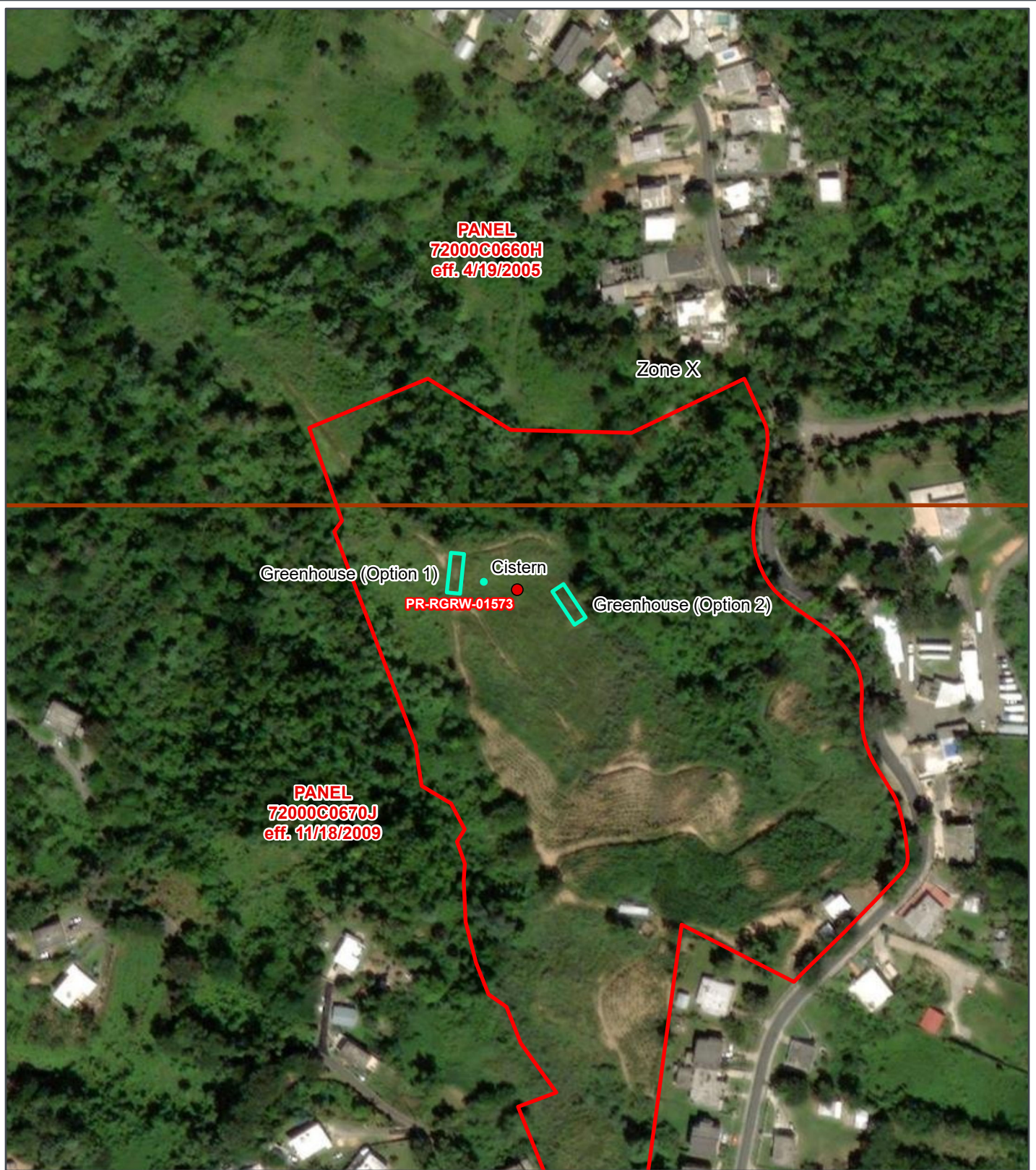
### **Worksheet Summary**

Provide a full description of your determination and a synopsis of the information that it was based on, such as:

- Map panel numbers and dates
- Names of all consulted parties and relevant consultation dates
- Names of plans or reports and relevant page numbers
- Any additional requirements specific to your program or region

### **Include all documentation supporting your findings in your submission to HUD.**

A review of the FEMA Flood Insurance Rate Map (FIRM), Community Panels 72000C0670J (effective date 11/18/2009) and 72000C0660H (effective date 4/19/2005), show the project site is in Flood Zone X, which is not in a Special Flood Hazard Area (SFHA). Flood insurance is not required.



REGROW PROGRAM

**Figure B 3-1: Flood Insurance Rate Map (FIRM)**

Applicant ID: PR-RGRW-01573

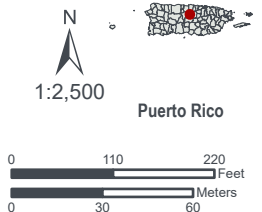


- Site
- Site Parcel
- Project Footprint (Option)
- Base Flood Elevations
- Zone A
- Zone AE
- Zone AH
- Zone AO
- Zone VE
- Floodway
- Zone X - Shaded (500-year floodplain)
- Zone X - Unshaded
- Area Not Included
- Open Water

Carr 617 km 2.2 hm 3  
Morovis, Puerto Rico 00687

Parcel ID: 138-000-007-48-000  
Parcel Center:  
66.415882°W 18.312152°N

Data Source: <https://hazards.fema.gov/gis/nfhl/rest/services/public/NFHL/MapServer>  
Base Map: ESRI ArcGIS Online, accessed May 2023  
Updated: 5/26/2023  
Layout: Effective Floodplain  
Aprx: 72428\_ReGrowTier2Maps



## **Attachment 4**

**Air Quality Partner Worksheet, List of Non-Attainment/Maintenance Status Counties in Puerto Rico, and Clean Air Map**



**U.S. DEPARTMENT OF HOUSING AND URBAN DEVELOPMENT**  
WASHINGTON, DC 20410-1000

This Worksheet was designed to be used by those “Partners” (including Public Housing Authorities, consultants, contractors, and nonprofits) who assist Responsible Entities and HUD in preparing environmental reviews, but legally cannot take full responsibilities for these reviews themselves. Responsible Entities and HUD should use the RE/HUD version of the Worksheet.

## **Air Quality (CEST and EA) – PARTNER**

<https://www.hudexchange.info/environmental-review/air-quality>

1. **Does your project include new construction or conversion of land use facilitating the development of public, commercial, or industrial facilities OR five or more dwelling units?**

Yes → *Continue to Question 2.*

No → *If the RE/HUD agrees with this recommendation, the review is in compliance with this section. Provide any documents used to make your determination.*

2. **Is your project’s air quality management district or county in non-attainment or maintenance status for any criteria pollutants?**

Follow the link below to determine compliance status of project county or air quality management district:

<http://www.epa.gov/oaqps001/greenbk/>

No, project’s county or air quality management district is in attainment status for all criteria pollutants

→ *If the RE/HUD agrees with this recommendation, the review is in compliance with this section. Continue to the Worksheet Summary below. Provide any documents used to make your determination.*

Yes, project’s management district or county is in non-attainment or maintenance status for one or more criteria pollutants. → *Continue to Question 3.*

3. **Determine the estimated emissions levels of your project for each of those criteria pollutants that are in non-attainment or maintenance status on your project area. Will your project exceed any of the *de minimis* or *threshold* emissions levels of non-attainment and maintenance level pollutants or exceed the screening levels established by the state or air quality management district?**

No, the project will not exceed *de minimis* or threshold emissions levels or screening levels

→ *If the RE/HUD agrees with this recommendation, the review is in compliance with this section. Explain how you determined that the project would not exceed *de minimis* or *threshold* emissions.*

Yes, the project exceeds *de minimis* emissions levels or screening levels.

→ *Continue to Question 4. Explain how you determined that the project would not exceed de minimis or threshold emissions in the Worksheet Summary.*

**4. For the project to be brought into compliance with this section, all adverse impacts must be mitigated. Explain in detail the exact measures that must be implemented to mitigate for the impact or effect, including the timeline for implementation.**

[Click here to enter text.](#)

### **Worksheet Summary**

Provide a full description of your determination and a synopsis of the information that it was based on, such as:

- Map panel numbers and dates
- Names of all consulted parties and relevant consultation dates
- Names of plans or reports and relevant page numbers
- Any additional requirements specific to your program or region

### **Include all documentation supporting your findings in your submission to HUD.**

The project site is in Morovis Municipio, a U.S. Environmental Protection Agency (USEPA) designated attainment area. Project activities include new construction of a greenhouse. It is not anticipated to have a negative impact on air quality and will not increase residential density. Emissions associated with the proposed actions are temporary and limited to use of small construction equipment and will be well below the Federal General Conformity Rule *de minimis* thresholds.



You are here: EPA Home > Green Book > >National Area and County-Level Multi-Pollutant Information >Puerto Rico Nonattainment/Maintenance Status for Each County by Year for All Criteria Pollutants

## Puerto Rico Nonattainment/Maintenance Status for Each County by Year for All Criteria Pollutants

Data is current as of February 28, 2023

Listed by County, NAAQS, Area. The 8-hour Ozone (1997) standard was revoked on April 6, 2015 and the 1-hour Ozone (1979) standard was revoked on June 15, 2005.

\* The 1997 Primary Annual PM-2.5 NAAQS (level of 15 µg/m<sup>3</sup>) is revoked in attainment and maintenance areas for that NAAQS. For additional information see the PM-2.5 NAAQS SIP Requirements Final Rule, effective October 24, 2016. (81 FR 58009)

Change the State:

Important Notes

[Download National Dataset: dbf](#) | 
 [xls](#) | 
 [Data dictionary \(PDF\)](#)

County	NAAQS	Area Name	Nonattainment in Year	Redesignation to Maintenance	Classification	Whole or/ Part County	Population (2010)	State/ County FIPS Codes
<b>PUERTO RICO</b>								
Arecibo Municipio	Lead (2008)	Arecibo, PR	11121314151617181920212223	//		Part	32,185	72/013
Bayamon Municipio	Sulfur Dioxide (2010)	San Juan, PR	181920212223	//		Part	22,921	72/021
Catano Municipio	Sulfur Dioxide (2010)	San Juan, PR	181920212223	//		Whole	28,140	72/033
Guaynabo Municipio	PM-10 (1987)	Mun. of Guaynabo, PR	929394959697989900010203040506070809	02/11/2010	Moderate	Part	90,470	72/061
Guaynabo Municipio	Sulfur Dioxide (2010)	San Juan, PR	181920212223	//		Part	23,802	72/061
Salinas Municipio	Sulfur Dioxide (2010)	Guayama-Salinas, PR	181920212223	//		Part	23,401	72/123
San Juan Municipio	Sulfur Dioxide (2010)	San Juan, PR	181920212223	//		Part	147,963	72/127
Toa Baja Municipio	Sulfur Dioxide (2010)	San Juan, PR	181920212223	//		Part	52,441	72/137

Important Notes

Discover.

Connect.

Ask.

Follow.

2023-02-28



REGROW PROGRAM

**Figure B 4-1:  
Clean Air Map**

Applicant ID: PR-RGRW-01573



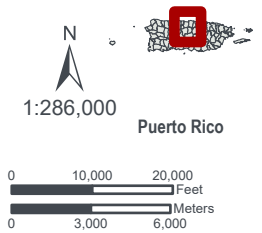
- Site
- ▨ 8-Hour Ozone (2015 Standard)\*
- Lead (2008 Standard)
- PM-2.5 (2012 Standard)\*
- Sulfur Dioxide (2010 Standard)

\*No Data in Puerto Rico

Carr 617 km 2.2 hm 3  
Morovis, Puerto Rico 00687

Parcel ID: 138-000-007-48-000  
Parcel Center:  
66.457471°W 18.378348°N

Data Source: [https://geopub.epa.gov/arcgis/rest/services/NEPAAssist/NEPAVELayersPublic\\_fgdb/MapServer](https://geopub.epa.gov/arcgis/rest/services/NEPAAssist/NEPAVELayersPublic_fgdb/MapServer)  
Base Map: ESRI ArcGIS Online, accessed May 2023  
Updated: 5/26/2023  
Layout: Clean Air  
Aprx: 72428\_ReGrowTier2Maps





## **Attachment 5**

# **Coastal Zone Management Partner Worksheet and Coastal Zone Map**



**U.S. DEPARTMENT OF HOUSING AND URBAN DEVELOPMENT**  
WASHINGTON, DC 20410-1000

This Worksheet was designed to be used by those “Partners” (including Public Housing Authorities, consultants, contractors, and nonprofits) who assist Responsible Entities and HUD in preparing environmental reviews, but legally cannot take full responsibilities for these reviews themselves. Responsible Entities and HUD should use the RE/HUD version of the Worksheet.

## Coastal Zone Management Act (CEST and EA) – PARTNER

<https://www.onecpd.info/environmental-review/coastal-zone-management>

Projects located in the following states must complete this form.

Alabama	Florida	Louisiana	Mississippi	Ohio	Texas
Alaska	Georgia	Maine	New Hampshire	Oregon	Virgin Islands
American Samona	Guam	Maryland	New Jersey	Pennsylvania	Virginia
California	Hawaii	Massachusetts	New York	Puerto Rico	Washington
Connecticut	Illinois	Michigan	North Carolina	Rhode Island	Wisconsin
Delaware	Indiana	Minnesota	Northern Mariana Islands	South Carolina	

**1. Is the project located in, or does it affect, a Coastal Zone as defined in your state Coastal Management Plan?**

Yes → Continue to Question 2.

No → If the RE/HUD agrees with this recommendation, the review is in compliance with this section. Continue to the Worksheet Summary below. Provide a map showing that the site is not within a Coastal Zone.

**2. Does this project include activities that are subject to state review?**

Yes → Continue to Question 3.

No → If the RE/HUD agrees with this recommendation, the review is in compliance with this section. Continue to the Worksheet Summary below. Provide documentation used to make your determination.

**3. Has this project been determined to be consistent with the State Coastal Management Program?**

Yes, with mitigation. → The RE/HUD must work with the State Coastal Management Program to develop mitigation measures to mitigate the impact or effect of the project.

Yes, without mitigation. → If the RE/HUD agrees with this recommendation, the review is in compliance with this section. Continue to the Worksheet Summary below. Provide documentation used to make your determination.

No → Project cannot proceed at this location.

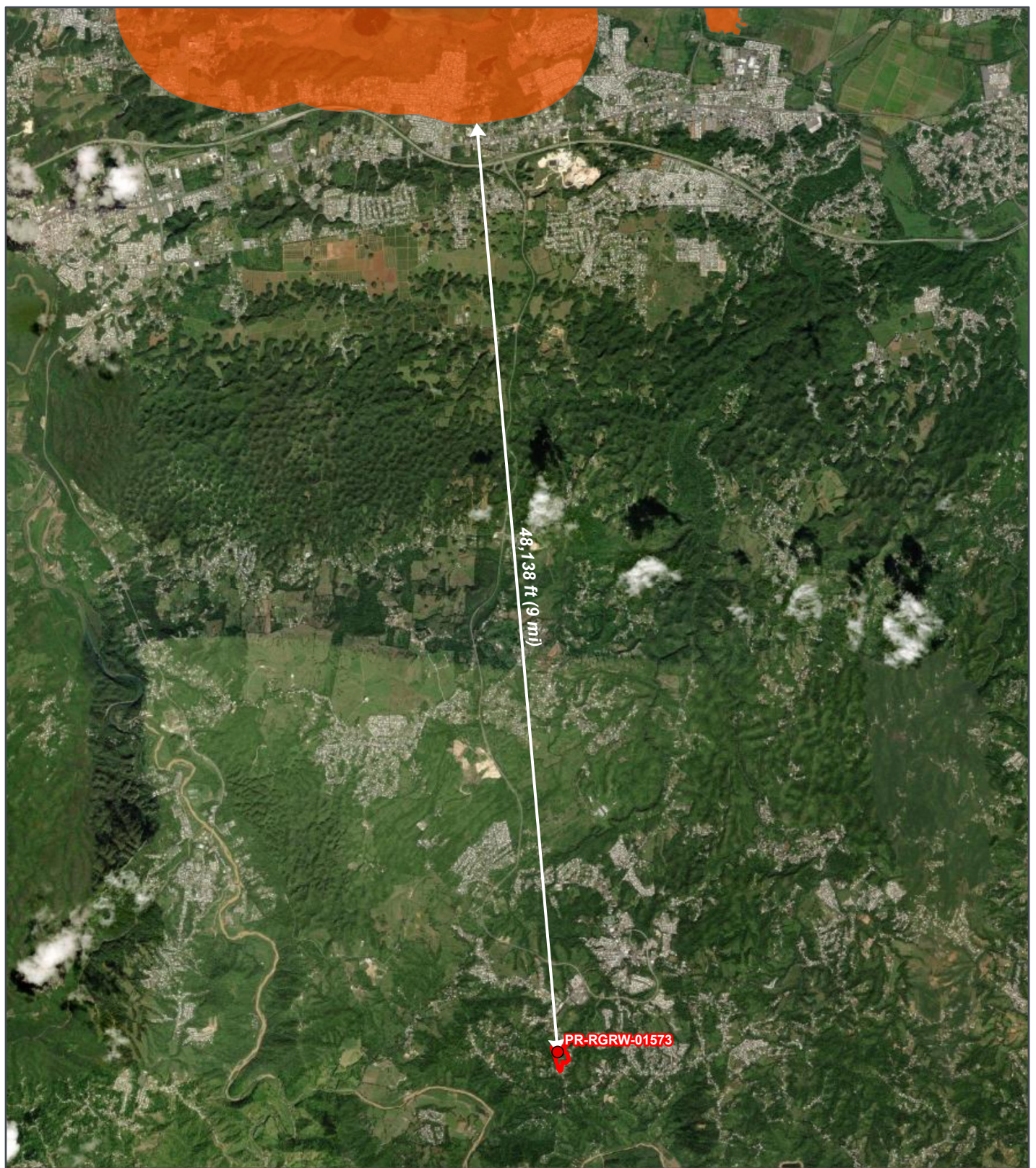
**Worksheet Summary**

Provide a full description of your determination and a synopsis of the information that it was based on, such as:

- Map panel numbers and dates
- Names of all consulted parties and relevant consultation dates
- Names of plans or reports and relevant page numbers
- Any additional requirements specific to your program or region

**Include all documentation supporting your findings in your submission to HUD.**

The project site is not located within a Puerto Rico Coastal Management Zone. The closest coastal zone area is 9 miles north of the project site.



REGROW PROGRAM

**Figure B 5-1: Coastal Zone Management Map**

Applicant ID: PR-RGRW-01573



- Site
- Coastal Management Zone

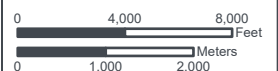
Carr 617 km 2.2 hm 3  
Morovis, Puerto Rico 00687

Parcel ID: 138-000-007-48-000  
Parcel Center:  
66.421899°W 18.378183°N

Data Source: <https://coast.noaa.gov/arcgis/rest/services/Hosted/CoastalZoneManagementAct/BaseMap:ESRI/ArcGIS/Online>  
accessed May 2023  
Updated: 5/30/2023  
Layout: Coastal Zone Management  
Aprx: 72428\_ReGrowTier2Maps



1:86,000



**Attachment 6**

**Contamination and Toxics  
Substances Partner Worksheet, Toxics  
Summary Table, and Toxics and  
Contamination Map**



U.S. DEPARTMENT OF HOUSING AND URBAN DEVELOPMENT  
WASHINGTON, DC 20410-1000

This Worksheet was designed to be used by those “Partners” (including Public Housing Authorities, consultants, contractors, and nonprofits) who assist Responsible Entities and HUD in preparing environmental reviews, but legally cannot take full responsibilities for these reviews themselves. Responsible Entities and HUD should use the RE/HUD version of the Worksheet.

## Contamination and Toxic Substances (Multifamily and Non-Residential Properties) – PARTNER

<https://www.hudexchange.info/programs/environmental-review/site-contamination>

**1. How was site contamination evaluated? <sup>1</sup> Select all that apply.**

- ASTM Phase I ESA
- ASTM Phase II ESA
- Remediation or clean-up plan
- ASTM Vapor Encroachment Screening
- None of the above

→ Provide documentation and reports and include an explanation of how site contamination was evaluated in the Worksheet Summary.

Continue to Question 2.

**2. Were any on-site or nearby toxic, hazardous, or radioactive substances found that could affect the health and safety of project occupants or conflict with the intended use of the property? (Were any recognized environmental conditions or RECs identified in a Phase I ESA and confirmed in a Phase II ESA?)**

- No → Explain below.

Click here to enter text.

→ If the RE/HUD agrees with this recommendation, the review is in compliance with this section. Continue to the Worksheet Summary below.

- Yes → Describe the findings, including any recognized environmental conditions (RECs), in Worksheet Summary below. Continue to Question 3.

**3. Can adverse environmental impacts be mitigated?**

---

<sup>1</sup> HUD regulations at 24 CFR § 58.5(i)(2)(ii) require that the environmental review for multifamily housing with five or more dwelling units or non-residential property include the evaluation of previous uses of the site or other evidence of contamination on or near the site. For acquisition and new construction of multifamily and nonresidential properties HUD strongly advises the review include an ASTM Phase I Environmental Site Assessment (ESA) to meet real estate transaction standards of due diligence and to help ensure compliance with HUD’s toxic policy at 24 CFR §58.5(i) and 24 CFR §50.3(i). Also note that some HUD programs require an ASTM Phase I ESA.

Adverse environmental impacts cannot feasibly be mitigated → HUD assistance may not be used for the project at this site. Project cannot proceed at this location.

Yes, adverse environmental impacts can be eliminated through mitigation.  
→ *Provide all mitigation requirements<sup>2</sup> and documents. Continue to Question 4.*

**4. Describe how compliance was achieved. Include any of the following that apply: State Voluntary Clean-up Program, a No Further Action letter, use of engineering controls<sup>3</sup>, or use of institutional controls<sup>4</sup>.**

[Click here to enter text.](#)

**If a remediation plan or clean-up program was necessary, which standard does it follow?**

- Complete removal  
 Risk-based corrective action (RBCA)

→ *Continue to the Worksheet Summary.*

### **Worksheet Summary**

Provide a full description of your determination and a synopsis of the information that it was based on, such as:

- Map panel numbers and dates
- Names of all consulted parties and relevant consultation dates
- Names of plans or reports and relevant page numbers
- Any additional requirements specific to your program or region

### **Include all documentation supporting your findings in your submission to HUD.**

The project site was evaluated for potential contamination by conducting a field site inspection on 3/3/2023 to identify any onsite hazards including, but not limited to, soil staining, above ground storage tanks, signs of underground storage tanks, odors, hazardous debris etc. The site inspection did not identify any onsite hazards that could not be resolved with mitigation.

In addition, a desktop review of USEPA databases, NEPAassist, and other sources was conducted to determine if the project site was located near dump sites, junk yards, landfills, hazardous waste sites, or industrial sites, including USEPA National Priorities List Sites (Superfund sites), CERCLA or state-equivalent sites, RCRA Corrective Action sites with release(s) or suspected release(s) requiring clean-up

---

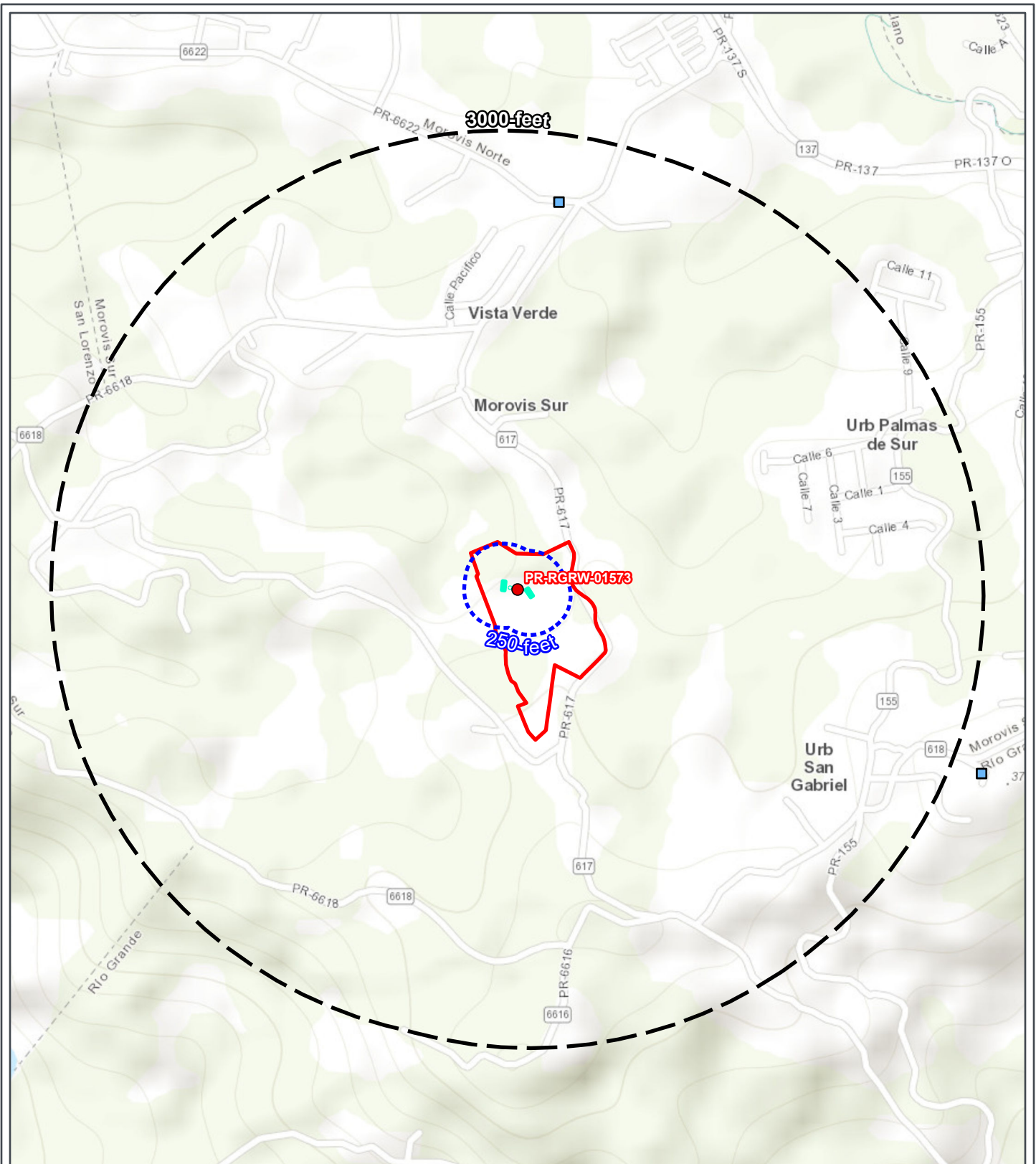
<sup>2</sup> Mitigation requirements include all clean-up actions required by applicable federal, state, tribal, or local law. Additionally, provide, as applicable, the long-term operations and maintenance plan, Remedial Action Work Plan, and other equivalent documents.

<sup>3</sup> Engineering controls are any physical mechanism used to contain or stabilize contamination or ensure the effectiveness of a remedial action. Engineering controls may include, without limitation, caps, covers, dikes, trenches, leachate collection systems, signs, fences, physical access controls, ground water monitoring systems and ground water containment systems including, without limitation, slurry walls and ground water pumping systems.

<sup>4</sup> Institutional controls are mechanisms used to limit human activities at or near a contaminated site, or to ensure the effectiveness of the remedial action over time, when contaminants remain at a site at levels above the applicable remediation standard which would allow for unrestricted use of the property. Institutional controls may include structure, land, and natural resource use restrictions, well restriction areas, classification exception areas, deed notices, and declarations of environmental restrictions.

action and/or further investigation. The desktop review did find one water discharger within 3,000 feet of the project area, but it will not affect the health and safety of project occupants or conflict with the intended use of the property.





REGROW PROGRAM

**Figure B 6-1:  
Contamination and  
Toxic Substances Map**

Applicant ID: PR-RGRW-01573

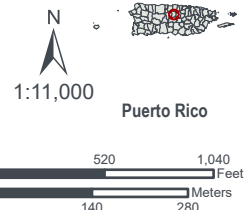


- Site
- ▭ Site Parcel
- ▭ Project Footprint (Option)
- ⋯ Buffer (250-feet)
- ⋯ Buffer (3000-feet)
- Water dischargers

- Toxic Substances Control Act
- Toxic releases
- Superfund
- Hazardous waste
- Brownfields
- Air pollution

Carr 617 km 2.2 hm 3  
Morovis, Puerto Rico 00687  
Parcel ID: 138-000-007-48-000  
Parcel Center:  
66.415882°W 18.312152°N

Data Source: <https://geopub.epa.gov/arcgis/rest/services/EMEF/MapServer>  
Base Map: ESRI ArcGIS Online, accessed May 2023  
Updated: 5/30/2023  
Layout: Contamination and Toxic Substances



**Contamination and Toxics Sites Summary**  
**Carretera 617 KM 2.2 hm 3, Morovis, PR 00687**

Database	Primary ID	Facility Name	Facility Address	Secondary ID	Latitude	Longitude	Distance (ft)	Status
Water Discharger	1.1007E+11	MASTER CONCRETE AND AGGREGATES - MOROVIS PLANT	PR-617 KM 1.1 MOROVIS SUR WARD	205	18.319258	-66.415088	2742	The site does not pose a hazard to the project; although it received violations for nonreporting and exceeding the permit max limits for total dissolved solids and iron, the surface water does not support aquatic life and is not used as a drinking water source.

# Detailed Facility Report



## Detailed Facility Report

### Facility Summary

MASTER CONCRETE AND AGGREGATES - MOROVIS PLANT

PR-617 KM 1.1 MOROVIS SUR WARD, MOROVIS, PR 00687

FRS (Facility Registry Service) ID: 110070383631

EPA Region: 02

Latitude: 18.319258

Longitude: -66.415088

Locational Data Source: NPDES

Industries: --

Indian Country: N

### Enforcement and Compliance Summary

Statute	CWA
Compliance Monitoring Activities (5 years)	--
Date of Last Compliance Monitoring Activity	--
Compliance Status	Significant/Category I Noncompliance
Qtrs in Noncompliance (of 12)	11
Qtrs with Significant Violation	11
Informal Enforcement Actions (5 years)	--
Formal Enforcement Actions (5 years)	--
Penalties from Formal Enforcement Actions (5 years)	--
EPA Cases (5 years)	--
Penalties from EPA Cases (5 years)	--

### Regulatory Information

Clean Air Act (CAA): No Information

Clean Water Act (CWA): Minor, Permit Effective (PRR05J004)

Resource Conservation and Recovery Act (RCRA): No Information

Safe Drinking Water Act (SDWA): No Information

[Go To Enforcement/Compliance Details](#)  
[Known Data Problems](#)

### Other Regulatory Reports

Air Emissions Inventory (EIS): No Information

Greenhouse Gas Emissions (eGGRT): No Information

Toxic Releases (TRI): No Information

Compliance and Emissions Data Reporting Interface (CEDRI): No Information

## Facility/System Characteristics

### Facility/System Characteristics

System	Statute	Identifier	Universe	Status	Areas	Permit Expiration Date	Indian Country	Latitude	Longitude
FRS		<a href="#">110070383631</a>					N	18.319258	-66.415088
ICIS-NPDES	CWA	PRR05J004	Minor: General Permit Covered Facility	Effective	Industrial Stormwater	02/28/2026	N	18.319	-66.4149

### Facility Address

System	Statute	Identifier	Facility Name	Facility Address	Facility County
FRS		<a href="#">110070383631</a>	MASTER CONCRETE AND AGGREGATES - MOROVIS PLANT	PR-617 KM 1.1 MOROVIS SUR WARD, MOROVIS, PR 00687	Morovis Municipio
ICIS-NPDES	CWA	PRR05J004	MASTER CONCRETE AND AGGREGATES - MOROVIS PLANT	PR-617 KM 1.1 MOROVIS SUR WARD, MOROVIS, PR 00687	

### Facility SIC (Standard Industrial Classification) Codes

System	Identifier	SIC Code	SIC Description
ICIS-NPDES	PRR05J004	3273	Ready-Mixed Concrete

### Facility NAICS (North American Industry Classification System) Codes

System	Identifier	NAICS Code	NAICS Description
No data records returned			

### Facility Industrial Effluent Guidelines

Identifier	Effluent Guideline (40 CFR Part)	Effluent Guideline Description
No data records returned		

### Facility Tribe Information

Reservation Name	Tribe Name	EPA Tribal ID	Distance to Tribe (miles)
No data records returned			

## Enforcement and Compliance

Compliance Monitoring History Last 5 Years

Statute	Source ID	System	Activity Type	Compliance Monitoring Type	Lead Agency	Date	Finding (if applicable)
---------	-----------	--------	---------------	----------------------------	-------------	------	-------------------------

No data records returned

Entries in italics are not counted as EPA official inspections.

### Compliance Summary Data

Statute	Source ID	Current SNC (Significant Noncompliance)/HPV (High Priority Violation)	Current As Of	Qtrs with NC (Noncompliance) (of 12)	Data Last Refreshed
CWA	PRR05J004	Yes	12/31/2022	11	04/14/2023

### Three-Year Compliance History by Quarter

Statute	Program/Pollutant/Violation Type	QTR 1	QTR 2	QTR 3	QTR 4	QTR 5	QTR 6	QTR 7	QTR 8	QTR 9
CWA (Source ID: PRR05J004)		01/01-03/31/20	04/01-06/30/20	07/01-09/30/20	10/01-12/31/20	01/01-03/31/21	04/01-06/30/21	07/01-09/30/21	10/01-12/31/21	01/01-03/31/22
Facility-Level Status		Significant/Category I Noncompliance	Significant/Category I Noncompliance	Significant/Category I Noncompliance	Significant/Category I Noncompliance	Significant/Category I Noncompliance	Significant/Category I Noncompliance	Significant/Category I Noncompliance	Significant/Category I Noncompliance	Significant/Category I Noncompliance
Quarterly Noncompliance Report History		Failure to Report DMR - Not Received	Failure to Report DMR - Not Received	Failure to Report DMR - Not Received	Failure to Report DMR - Not Received	Failure to Report DMR - Not Received	Failure to Report DMR - Not Received	Failure to Report DMR - Not Received	Failure to Report DMR - Not Received	Failure to Report DMR - Not Received
	Pollutant	Disch Point	Mon Loc	Freq						
▶ CWA	<a href="#">Solids, total suspended</a>	001 - 2E	Effluent Gross	NMth		124%				
▶ CWA	<a href="#">Solids, total suspended</a>	002 - 2E	Effluent Gross	NMth		858%				
	Benchmark Limit Exceedances (No Violation): Pollutant	Disch Point	Mon Loc	Freq						
CWA	<a href="#">Iron, total [as Fe]</a>	001 - E2	Effluent Gross	NMth		1%				
CWA	<a href="#">Solids, total suspended</a>	001 - E2	Effluent Gross	NMth		12%				
CWA	<a href="#">Iron, total [as Fe]</a>	002 - E2	Effluent Gross	NMth		105%				
CWA	<a href="#">Solids, total suspended</a>	002 - E2	Effluent Gross	NMth		379%				
Late or Missing Discharge Monitoring Report (DMR) Measurements										
Counts of Missing DMR Measurements		4		4	4					

Informal Enforcement Actions Last 5 Years

Statute	System	Source ID	Type of Action	Lead Agency	Date
---------	--------	-----------	----------------	-------------	------

No data records returned

Entries in italics are not counted as "informal enforcement actions" in EPA policies pertaining to enforcement response tools.

Formal Enforcement Actions Last 5 Years

Statute	System	Law/Section	Source ID	Type of Action	Case No.	Lead Agency	Case Name	Issued/Filed Date	Settlements/Actions	Settlement/Action Date	Federal Penalty Assessed	State/Local Penalty Assessed	Penalty Amount Collected	SEP Value	Comp Action Cost
---------	--------	-------------	-----------	----------------	----------	-------------	-----------	-------------------	---------------------	------------------------	--------------------------	------------------------------	--------------------------	-----------	------------------

No data records returned

## Environmental Conditions

## Watersheds

12-Digit WBD (Watershed Boundary Dataset) HUC (Reach Address Database)	WBD (Watershed Boundary Dataset) Subwatershed Name (RAD (Reach Address Database))	State Water Body Name (ICIS (Integrated Compliance Information System))	Beach Closures Within Last Year	Beach Closures Within Last Two Years	Pollutants Potentially Related to Impairment	Watershed with ESA (Endangered Species Act)-listed Aquatic Species?
210100020103	Rio Morovis	UNNAMED SURFACE WATER	No	No	Solids, total suspended	Yes
210100020210	Rio Grande de Manati	UNNAMED SURFACE WATER	No	No	Solids, total suspended	Yes

## Assessed Waters From Latest State Submission (ATTAINS)

State	Report Cycle	Assessment Unit ID	Assessment Unit Name	Water Condition	Cause Groups Impaired	Drinking Water Use	Aquatic Life	Fish Consumption Use	Recreation Use	Other Use
PR	2020	<a href="#">PRNR8A2</a>	RIO GRANDE DE MANATI	Impaired - 303(d) Listed - With Restoration Plan	METALS (OTHER THAN MERCURY)   PATHOGENS   TEMPERATURE   TURBIDITY	Not Supporting	Not Supporting	--	Not Supporting	--
PR	2020	<a href="#">PRNR9B2</a>	RIO MOROVIS	Impaired - 303(d) Listed - With Restoration Plan	ORGANIC ENRICHMENT/OXYGEN DEPLETION   PATHOGENS	Insufficient Information	Not Supporting	--	Not Supporting	--

## Air Quality Nonattainment Areas

Pollutant	Within Nonattainment Status Area?	Nonattainment Status Applicable Standard(s)	Within Maintenance Status Area?	Maintenance Status Applicable Standard(s)
No data records returned				

## Pollutants

### Toxics Release Inventory History of Reported Chemicals Released in Pounds per Year at Site

TRI Facility ID	Year	Total Air Emissions	Surface Water Discharges	Off-Site Transfers to POTWs (Publicly Owned Treatment Works)	Underground Injections	Releases to Land	Total On-Site Releases	Total Off-Site Transfers
No data records returned								

### Toxics Release Inventory Total Releases and Transfers in Pounds by Chemical and Year

Chemical Name
No data records returned

## Community

### Environmental Justice

This section shows indexes from EJScreen, EPA's screening tool for environmental justice (EJ) concerns. EPA uses these indexes to identify geographic areas that may warrant further consideration or analysis for potential EJ concerns. Use of these indexes does not designate an area as an "EJ community" or "EJ facility." EJScreen provides screening level indicators, not a determination of the existence or absence of EJ concerns. For more information, see the [EJScreen home page](#).

#### EJScreen Indexes Shown

Compare to  US  State

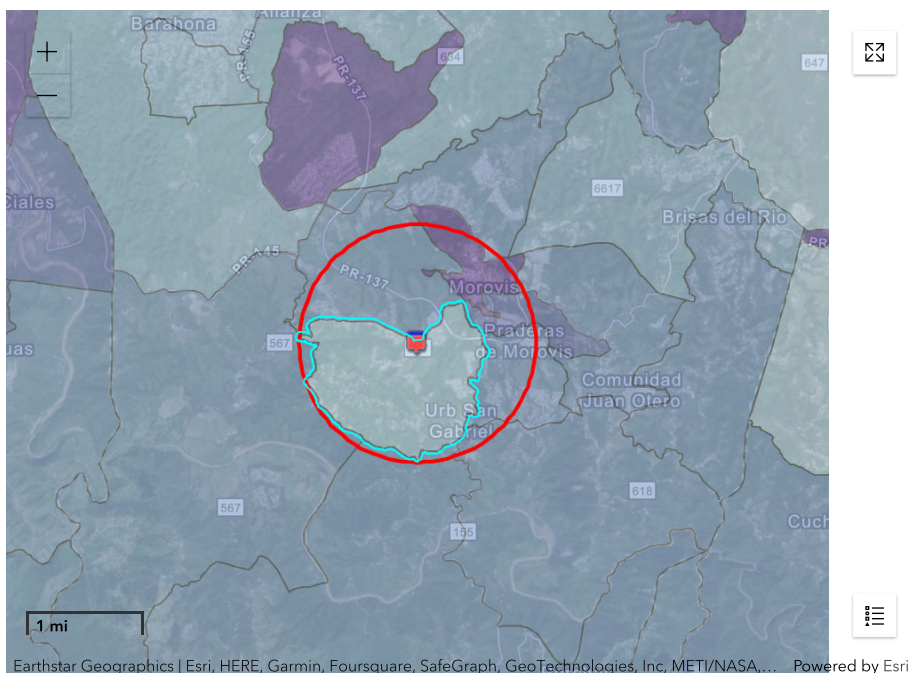
Index Type  Environmental Justice  Supplemental

#### Related Reports

[EJScreen Report](#)

#### Download Data

Census Block Group ID: 721019554013	US (Percentile)	
Supplemental Indexes	Facility Census Block Group	1-mile Max
Count of Indexes At or Above 80th Percentile	3	7
Particulate Matter 2.5	--	--
Ozone	--	--
Diesel Particulate Matter	7	19
Air Toxics Cancer Risk	76	92
Air Toxics Respiratory Hazard Index	46	65
Traffic Proximity	79	99
Lead Paint	0	98
Risk Management Plan (RMP) Facility Proximity	99	99
Hazardous Waste Proximity	55	72
Superfund Proximity	96	99
Underground Storage Tanks (UST)	0	99
Wastewater Discharge	99	99



## Demographic Profile of Surrounding Area (1 mile)

This section provides demographic information regarding the community surrounding the facility. ECHO compliance data alone are not sufficient to determine whether violations at a particular facility had negative impacts on public health or the environment. Statistics are based upon the 2010 U.S. Census and 2016 - 2020 American Community Survey (ACS) 5-year Summary and are accurate to the extent that the facility latitude and longitude listed below are correct. EPA's spatial processing methodology considers the overlap between the selected radii and the census blocks (for U.S. Census demographics) and census block groups (for ACS demographics) in determining the demographics surrounding the facility. For more detail about this methodology, see the [DFR Data Dictionary](#).

### General Statistics (U.S. Census)

Total Persons	6,020
Population Density	1,897/sq.mi.
Housing Units in Area	2,418

### General Statistics (ACS (American Community Survey))

Total Persons	5,275
Percent People of Color	99%
Households in Area	1,794
Households on Public Assistance	408
Persons With Low Income	4,278
Percent With Low Income	81%

### Geography

Radius of Selected Area	1 mi.
Center Latitude	18.319258
Center Longitude	-66.415088
Land Area	100%
Water Area	0%

### Income Breakdown (ACS (American Community Survey)) - Households (%)

Less than \$15,000	680 (38.01%)
\$15,000 - \$25,000	560 (31.3%)
\$25,000 - \$50,000	321 (17.94%)
\$50,000 - \$75,000	154 (8.61%)
Greater than \$75,000	74 (4.14%)

### Age Breakdown (U.S. Census) - Persons (%)

Children 5 years and younger	366 (6%)
Minors 17 years and younger	1,600 (27%)
Adults 18 years and older	4,420 (73%)
Seniors 65 years and older	766 (13%)

### Race Breakdown (U.S. Census) - Persons (%)

White	5,375 (89%)
African-American	308 (5%)
Hispanic-Origin	5,990 (100%)
Asian/Pacific Islander	12 (0%)
American Indian	9 (0%)
Other/Multiracial	316 (5%)

### Education Level (Persons 25 & older) (ACS (American Community Survey)) - Persons (%)

Less than 9th Grade	708 (19.08%)
9th through 12th Grade	335 (9.03%)
High School Diploma	1,081 (29.14%)
Some College/2-year	369 (9.95%)
B.S./B.A. (Bachelor of Science/Bachelor of Arts) or More	814 (21.94%)

LAST UPDATED ON SEPTEMBER 21, 2022

[DATA REFRESH INFORMATION](#)

## **Attachment 7**

**Endangered Species Act Partner  
Worksheet, Threatened and Endangered  
Species Technical Memorandum, USFWS  
IPaC Species List, and Critical Habitat Map**



U.S. DEPARTMENT OF HOUSING AND URBAN DEVELOPMENT  
WASHINGTON, DC 20410-1000

This Worksheet was designed to be used by those “Partners” (including Public Housing Authorities, consultants, contractors, and nonprofits) who assist Responsible Entities and HUD in preparing environmental reviews, but legally cannot take full responsibilities for these reviews themselves. Responsible Entities and HUD should use the RE/HUD version of the Worksheet.

## Endangered Species Act (CEST and EA) – PARTNER

<https://www.hudexchange.info/environmental-review/endangered-species>

### 1. Does the project involve any activities that have the potential to affect species or habitats?

No, the project will have No Effect due to the nature of the activities involved in the project.

→ If the RE/HUD agrees with this recommendation, the review is in compliance with this section. Continue to the Worksheet Summary below. Provide any documents used to make your determination.

No, the project will have No Effect based on a letter of understanding, memorandum of agreement, programmatic agreement, or checklist provided by local HUD office.

**Explain your determination:**

Click here to enter text.

→ If the RE/HUD agrees with this recommendation, the review is in compliance with this section. Continue to the Worksheet Summary below. Provide any documents used to make your determination.

Yes, the activities involved in the project have the potential to affect species and/or habitats. → Continue to Question 2.

### 2. Are federally listed species or designated critical habitats present in the action area?

Obtain a list of protected species from the Services. This information is available on the [FWS Website](#).

No, the project will have No Effect due to the absence of federally listed species and designated critical habitat.

→ If the RE/HUD agrees with this recommendation, the review is in compliance with this section. Continue to the Worksheet Summary below. Provide any documents used to make your determination. Documentation may include letters from the Services, species lists from the Services’ websites, surveys or other documents and analysis showing that there are no species in the action area.

Yes, there are federally listed species or designated critical habitats present in the action area. → Continue to Question 3.



**3. Recommend one of the following effects that the project will have on federally listed species or designated critical habitat:**

No Effect: Based on the specifics of both the project and any federally listed species in the action area, you have determined that the project will have absolutely no effect on listed species or critical habitat.

→ *If the RE/HUD agrees with this recommendation, the review is in compliance with this section. Continue to the Worksheet Summary below. Provide any documents used to make your determination. Documentation should include a species list and explanation of your conclusion, and may require maps, photographs, and surveys as appropriate.*

May Affect, Not Likely to Adversely Affect: Any effects that the project may have on federally listed species or critical habitats would be beneficial, discountable, or insignificant.

→ Partner entities should not contact the Services directly. *If the RE/HUD agrees with this recommendation, they will have to complete Informal Consultation. Provide the RE/HUD with a biological evaluation or equivalent document. They may request additional information, including surveys and professional analysis, to complete their consultation.*

Likely to Adversely Affect: The project may have negative effects on one or more listed species or critical habitat.

→ Partner entities should not contact the Services directly. *If the RE/HUD agrees with this recommendation, they will have to complete Formal Consultation. Provide the RE/HUD with a biological evaluation or equivalent document. They may request additional information, including surveys and professional analysis, to complete their consultation.*

**Worksheet Summary**

Provide a full description of your determination and a synopsis of the information that it was based on, such as:

- Map panel numbers and dates
- Names of all consulted parties and relevant consultation dates
- Names of plans or reports and relevant page numbers
- Any additional requirements specific to your program or region

**Include all documentation supporting your findings in your submission to HUD.**

No suitable habitat for any federal or state listed species is present within the proposed project location options and no tree clearing or vegetation removal is proposed as a part of construction activities; therefore, project activities will have *no effect* to any federal listed species or designated critical habitat and *no impact* on state listed species. See the attached Threatened and Endangered Species Technical Memorandum.

---

## TECHNICAL MEMORANDUM

**For:** Puerto Rico Department of Housing  
CDBG-DR & CDBG-MIT Program  
ReGrow Environmental Assessment

**From:** Susan Fischer, Wildlife Ecologist

**Date:** April 11, 2023

**Re:** **Threatened and Endangered Species Review for Carretera 617 KM 2.2 hm 3, Morovis**

---

**Project Name:** PR-RGRW-01573,  
**Site Address:** Carretera 617 KM 2.2 hm 3, Morovis  
**GPS Coordinates:** 66.415882°W 18.312152°N

This Threatened and Endangered Species Review evaluates the construction of a new greenhouse. This parcel is located at Carretera 617 KM 2.2 hm 3, Morovis, Puerto Rico. To complete this review, the United States Fish and Wildlife Service's (USFWS) Information for Planning and Consultation (IPaC) system, Puerto Rico Department of Natural and Environmental Resources (DNER) Species Ranges, and Puerto Rico State Wildlife Action Plan\_a Ten Year Review online mapping databases were consulted, then a site inspection performed to evaluate on-site nest and habitat potential. For the purposes of this review, the evaluation encompasses a maximum 100-foot buffer around both of the proposed project location options.

The species list for the site was generated by the USFWS Caribbean Ecological Services Field Office in Boqueron, Puerto Rico (attached). Since all project activities will occur on land, marine and aquatic species have been excluded from the evaluation. For any activities located near wetlands and/or waterbodies, best management practices (BMPs) will be implemented to prevent impacts to freshwater species. According to the IPaC results, the property is located within the habitat range of one terrestrial species considered to be threatened or endangered under the Endangered Species Act:

- Puerto Rican Boa (*Chilabothrus inornatus*)

A review of the Puerto Rico DNER Species Ranges online system indicated the following additional state-listed species may occur in within the review area:

- Brown Pelican (*Pelecanus occidentalis*)

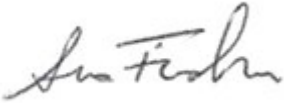
A site inspection on March 3, 2023 found the parcel is situated in a rural area. The property is used for agricultural production and the lot consists of a mix of cleared, agricultural, and forested areas. Both of the proposed project locations consist of open, barren land. Representative photographs of the subject property are included in the Environmental Field Assessment Photographic Log. The review area does contain trees that could provide suitable habitat for the Puerto Rican boa; however, both of the proposed project location options have been cleared of all vegetation. Additionally, there is no critical habitat for any species found

within the subject property based on the USFWS and Puerto Rico State Wildlife Action Plan\_a Ten Year Review databases.

Based on agency data and site observations, this review concludes that the construction of the new greenhouse on the parcel will result in *no effect* to all state and federally protected species with the potential to occur in the area.

I can be reached by phone (346-388-1157) or email (Susan.Fischer@swca.com) with any questions or concerns.

Sincerely,

A handwritten signature in cursive script, appearing to read "Susan Fischer".

Susan Fischer  
Wildlife Ecologist  
SWCA Environmental Consultants

# IPaC resource list

This report is an automatically generated list of species and other resources such as critical habitat (collectively referred to as *trust resources*) under the U.S. Fish and Wildlife Service's (USFWS) jurisdiction that are known or expected to be on or near the project area referenced below. The list may also include trust resources that occur outside of the project area, but that could potentially be directly or indirectly affected by activities in the project area. However, determining the likelihood and extent of effects a project may have on trust resources typically requires gathering additional site-specific (e.g., vegetation/species surveys) and project-specific (e.g., magnitude and timing of proposed activities) information.

Below is a summary of the project information you provided and contact information for the USFWS office(s) with jurisdiction in the defined project area. Please read the introduction to each section that follows (Endangered Species, Migratory Birds, USFWS Facilities, and NWI Wetlands) for additional information applicable to the trust resources addressed in that section.

## Location

Morovis County, Puerto Rico



## Local office

Caribbean Ecological Services Field Office

☎ (787) 834-1600

📞 (787) 851-7440

✉ [CARIBBEAN\\_ES@FWS.GOV](mailto:CARIBBEAN_ES@FWS.GOV)

MAILING ADDRESS

Post Office Box 491

Boqueron, PR 00622-0491

PHYSICAL ADDRESS

Office Park I

State Road #2 Km 156.5, Suite 303}

Mayaguez, PR 00680

NOT FOR CONSULTATION

# Endangered species

**This resource list is for informational purposes only and does not constitute an analysis of project level impacts.**

The primary information used to generate this list is the known or expected range of each species. Additional areas of influence (AOI) for species are also considered. An AOI includes areas outside of the species range if the species could be indirectly affected by activities in that area (e.g., placing a dam upstream of a fish population even if that fish does not occur at the dam site, may indirectly impact the species by reducing or eliminating water flow downstream). Because species can move, and site conditions can change, the species on this list are not guaranteed to be found on or near the project area. To fully determine any potential effects to species, additional site-specific and project-specific information is often required.

Section 7 of the Endangered Species Act **requires** Federal agencies to "request of the Secretary information whether any species which is listed or proposed to be listed may be present in the area of such proposed action" for any project that is conducted, permitted, funded, or licensed by any Federal agency. A letter from the local office and a species list which fulfills this requirement can **only** be obtained by requesting an official species list from either the Regulatory Review section in IPaC (see directions below) or from the local field office directly.

For project evaluations that require USFWS concurrence/review, please return to the IPaC website and request an official species list by doing the following:

1. Draw the project location and click CONTINUE.
2. Click DEFINE PROJECT.
3. Log in (if directed to do so).
4. Provide a name and description for your project.
5. Click REQUEST SPECIES LIST.

Listed species<sup>1</sup> and their critical habitats are managed by the [Ecological Services Program](#) of the U.S. Fish and Wildlife Service (USFWS) and the fisheries division of the National Oceanic and Atmospheric Administration (NOAA Fisheries<sup>2</sup>).

Species and critical habitats under the sole responsibility of NOAA Fisheries are **not** shown on this list. Please contact [NOAA Fisheries](#) for [species under their jurisdiction](#).

- 
1. Species listed under the [Endangered Species Act](#) are threatened or endangered; IPaC also shows species that are candidates, or proposed, for listing. See the [listing status page](#) for more information. IPaC only shows species that are regulated by USFWS (see FAQ).

2. [NOAA Fisheries](#), also known as the National Marine Fisheries Service (NMFS), is an office of the National Oceanic and Atmospheric Administration within the Department of Commerce.

The following species are potentially affected by activities in this location:

## Reptiles

NAME	STATUS
Puerto Rican Boa <i>Chilabothrus inornatus</i> Wherever found No critical habitat has been designated for this species. <a href="https://ecos.fws.gov/ecp/species/6628">https://ecos.fws.gov/ecp/species/6628</a>	Endangered

## Critical habitats

Potential effects to critical habitat(s) in this location must be analyzed along with the endangered species themselves.

There are no critical habitats at this location.

## Migratory birds

Certain birds are protected under the Migratory Bird Treaty Act<sup>1</sup> and the Bald and Golden Eagle Protection Act<sup>2</sup>.

Any person or organization who plans or conducts activities that may result in impacts to migratory birds, eagles, and their habitats should follow appropriate regulations and consider implementing appropriate conservation measures, as described below.

1. The [Migratory Birds Treaty Act](#) of 1918.
2. The [Bald and Golden Eagle Protection Act](#) of 1940.

Additional information can be found using the following links:

- Birds of Conservation Concern <https://www.fws.gov/program/migratory-birds/species>
- Measures for avoiding and minimizing impacts to birds <https://www.fws.gov/library/collections/avoiding-and-minimizing-incident-take-migratory-birds>
- Nationwide conservation measures for birds <https://www.fws.gov/sites/default/files/documents/nationwide-standard-conservation-measures.pdf>

There are no migratory birds of conservation concern expected to occur at this location.

**Tell me more about conservation measures I can implement to avoid or minimize impacts to migratory birds.**

[Nationwide Conservation Measures](#) describes measures that can help avoid and minimize impacts to all birds at any location year round. Implementation of these measures is particularly important when birds are most likely to occur in the project area. When birds may be breeding in the area, identifying the locations of any active nests and avoiding their destruction is a very helpful impact minimization measure. To see when birds are most likely to occur and be breeding in your project area, view the Probability of Presence Summary. [Additional measures](#) or [permits](#) may be advisable depending on the type of activity you are conducting and the type of infrastructure or bird species present on your project site.

**What does IPaC use to generate the list of migratory birds that potentially occur in my specified location?**

The Migratory Bird Resource List is comprised of USFWS [Birds of Conservation Concern \(BCC\)](#) and other species that may warrant special attention in your project location.

The migratory bird list generated for your project is derived from data provided by the [Avian Knowledge Network \(AKN\)](#). The AKN data is based on a growing collection of [survey, banding, and citizen science datasets](#) and is queried and filtered to return a list of those birds reported as occurring in the 10km grid cell(s) which your project intersects, and that have been identified as warranting special attention because they are a BCC species in that area, an eagle ([Eagle Act](#) requirements may apply), or a species that has a particular vulnerability to offshore activities or development.

Again, the Migratory Bird Resource list includes only a subset of birds that may occur in your project area. It is not representative of all birds that may occur in your project area. To get a list of all birds potentially present in your project area, please visit the [Rapid Avian Information Locator \(RAIL\) Tool](#).

**What does IPaC use to generate the probability of presence graphs for the migratory birds potentially occurring in my specified location?**

The probability of presence graphs associated with your migratory bird list are based on data provided by the [Avian Knowledge Network \(AKN\)](#). This data is derived from a growing collection of [survey, banding, and citizen science datasets](#).

Probability of presence data is continuously being updated as new and better information becomes available. To learn more about how the probability of presence graphs are produced and how to interpret them, go the Probability of Presence Summary and then click on the "Tell me about these graphs" link.

**How do I know if a bird is breeding, wintering or migrating in my area?**

To see what part of a particular bird's range your project area falls within (i.e. breeding, wintering, migrating or year-round), you may query your location using the [RAIL Tool](#) and look at the range maps provided for birds in your area at the bottom of the profiles provided for each bird in your results. If a bird



on your migratory bird species list has a breeding season associated with it, if that bird does occur in your project area, there may be nests present at some point within the timeframe specified. If "Breeds elsewhere" is indicated, then the bird likely does not breed in your project area.

### What are the levels of concern for migratory birds?

Migratory birds delivered through IPaC fall into the following distinct categories of concern:

1. "BCC Rangewide" birds are [Birds of Conservation Concern](#) (BCC) that are of concern throughout their range anywhere within the USA (including Hawaii, the Pacific Islands, Puerto Rico, and the Virgin Islands);
2. "BCC - BCR" birds are BCCs that are of concern only in particular Bird Conservation Regions (BCRs) in the continental USA; and
3. "Non-BCC - Vulnerable" birds are not BCC species in your project area, but appear on your list either because of the [Eagle Act](#) requirements (for eagles) or (for non-eagles) potential susceptibilities in offshore areas from certain types of development or activities (e.g. offshore energy development or longline fishing).

Although it is important to try to avoid and minimize impacts to all birds, efforts should be made, in particular, to avoid and minimize impacts to the birds on this list, especially eagles and BCC species of rangewide concern. For more information on conservation measures you can implement to help avoid and minimize migratory bird impacts and requirements for eagles, please see the FAQs for these topics.

### Details about birds that are potentially affected by offshore projects

For additional details about the relative occurrence and abundance of both individual bird species and groups of bird species within your project area off the Atlantic Coast, please visit the [Northeast Ocean Data Portal](#). The Portal also offers data and information about other taxa besides birds that may be helpful to you in your project review. Alternately, you may download the bird model results files underlying the portal maps through the [NOAA NCCOS Integrative Statistical Modeling and Predictive Mapping of Marine Bird Distributions and Abundance on the Atlantic Outer Continental Shelf](#) project webpage.

Bird tracking data can also provide additional details about occurrence and habitat use throughout the year, including migration. Models relying on survey data may not include this information. For additional information on marine bird tracking data, see the [Diving Bird Study](#) and the [nanotag studies](#) or contact [Caleb Spiegel](#) or [Pam Loring](#).

### What if I have eagles on my list?

If your project has the potential to disturb or kill eagles, you may need to [obtain a permit](#) to avoid violating the Eagle Act should such impacts occur.

### Proper Interpretation and Use of Your Migratory Bird Report

The migratory bird list generated is not a list of all birds in your project area, only a subset of birds of priority concern. To learn more about how your list is generated, and see options for identifying what other birds may be in your project area, please see the FAQ "What does IPaC use to generate the migratory birds potentially occurring in my specified location". Please be aware this report provides the "probability of presence" of birds within the 10 km grid cell(s) that overlap your project; not your exact project footprint. On the graphs provided, please also look carefully at the survey effort (indicated by the black vertical bar) and for the existence of the "no data" indicator (a red horizontal bar). A high survey effort is

the key component. If the survey effort is high, then the probability of presence score can be viewed as more dependable. In contrast, a low survey effort bar or no data bar means a lack of data and, therefore, a lack of certainty about presence of the species. This list is not perfect; it is simply a starting point for identifying what birds of concern have the potential to be in your project area, when they might be there, and if they might be breeding (which means nests might be present). The list helps you know what to look for to confirm presence, and helps guide you in knowing when to implement conservation measures to avoid or minimize potential impacts from your project activities, should presence be confirmed. To learn more about conservation measures, visit the FAQ "Tell me about conservation measures I can implement to avoid or minimize impacts to migratory birds" at the bottom of your migratory bird trust resources page.

## Facilities

### National Wildlife Refuge lands

Any activity proposed on lands managed by the [National Wildlife Refuge](#) system must undergo a 'Compatibility Determination' conducted by the Refuge. Please contact the individual Refuges to discuss any questions or concerns.

There are no refuge lands at this location.

### Fish hatcheries

There are no fish hatcheries at this location.

### Wetlands in the National Wetlands Inventory (NWI)

Impacts to [NWI wetlands](#) and other aquatic habitats may be subject to regulation under Section 404 of the Clean Water Act, or other State/Federal statutes.

For more information please contact the Regulatory Program of the local [U.S. Army Corps of Engineers District](#).

Please note that the NWI data being shown may be out of date. We are currently working to update our NWI data set. We recommend you verify these results with a site visit to determine the actual extent of wetlands on site.

This location overlaps the following wetlands:

RIVERINE

[R5UBH](#)

A full description for each wetland code can be found at the [National Wetlands Inventory website](#)

**NOTE:** This initial screening does **not** replace an on-site delineation to determine whether wetlands occur. Additional information on the NWI data is provided below.

#### Data limitations

The Service's objective of mapping wetlands and deepwater habitats is to produce reconnaissance level information on the location, type and size of these resources. The maps are prepared from the analysis of high altitude imagery. Wetlands are identified based on vegetation, visible hydrology and geography. A margin of error is inherent in the use of imagery; thus, detailed on-the-ground inspection of any particular site may result in revision of the wetland boundaries or classification established through image analysis.

The accuracy of image interpretation depends on the quality of the imagery, the experience of the image analysts, the amount and quality of the collateral data and the amount of ground truth verification work conducted. Metadata should be consulted to determine the date of the source imagery used and any mapping problems.

Wetlands or other mapped features may have changed since the date of the imagery or field work. There may be occasional differences in polygon boundaries or classifications between the information depicted on the map and the actual conditions on site.

#### Data exclusions

Certain wetland habitats are excluded from the National mapping program because of the limitations of aerial imagery as the primary data source used to detect wetlands. These habitats include seagrasses or submerged aquatic vegetation that are found in the intertidal and subtidal zones of estuaries and nearshore coastal waters. Some deepwater reef communities (coral or tubercid worm reefs) have also been excluded from the inventory. These habitats, because of their depth, go undetected by aerial imagery.

#### Data precautions

Federal, state, and local regulatory agencies with jurisdiction over wetlands may define and describe wetlands in a different manner than that used in this inventory. There is no attempt, in either the design or products of this inventory, to define the limits of proprietary jurisdiction of any Federal, state, or local government or to establish the geographical scope of the regulatory programs of government agencies. Persons intending to engage in activities involving modifications within or adjacent to wetland areas should

seek the advice of appropriate Federal, state, or local agencies concerning specified agency regulatory programs and proprietary jurisdictions that may affect such activities.

NOT FOR CONSULTATION

# IPaC resource list

This report is an automatically generated list of species and other resources such as critical habitat (collectively referred to as *trust resources*) under the U.S. Fish and Wildlife Service's (USFWS) jurisdiction that are known or expected to be on or near the project area referenced below. The list may also include trust resources that occur outside of the project area, but that could potentially be directly or indirectly affected by activities in the project area. However, determining the likelihood and extent of effects a project may have on trust resources typically requires gathering additional site-specific (e.g., vegetation/species surveys) and project-specific (e.g., magnitude and timing of proposed activities) information.

Below is a summary of the project information you provided and contact information for the USFWS office(s) with jurisdiction in the defined project area. Please read the introduction to each section that follows (Endangered Species, Migratory Birds, USFWS Facilities, and NWI Wetlands) for additional information applicable to the trust resources addressed in that section.

## Location

Morovis County, Puerto Rico



## Local office

Caribbean Ecological Services Field Office

☎ (787) 834-1600

📠 (787) 851-7440

✉ [CARIBBEAN\\_ES@FWS.GOV](mailto:CARIBBEAN_ES@FWS.GOV)

MAILING ADDRESS

Post Office Box 491

Boqueron, PR 00622-0491

PHYSICAL ADDRESS

Office Park I

State Road #2 Km 156.5, Suite 303}

Mayaguez, PR 00680

NOT FOR CONSULTATION

# Endangered species

**This resource list is for informational purposes only and does not constitute an analysis of project level impacts.**

The primary information used to generate this list is the known or expected range of each species. Additional areas of influence (AOI) for species are also considered. An AOI includes areas outside of the species range if the species could be indirectly affected by activities in that area (e.g., placing a dam upstream of a fish population even if that fish does not occur at the dam site, may indirectly impact the species by reducing or eliminating water flow downstream). Because species can move, and site conditions can change, the species on this list are not guaranteed to be found on or near the project area. To fully determine any potential effects to species, additional site-specific and project-specific information is often required.

Section 7 of the Endangered Species Act **requires** Federal agencies to "request of the Secretary information whether any species which is listed or proposed to be listed may be present in the area of such proposed action" for any project that is conducted, permitted, funded, or licensed by any Federal agency. A letter from the local office and a species list which fulfills this requirement can **only** be obtained by requesting an official species list from either the Regulatory Review section in IPaC (see directions below) or from the local field office directly.

For project evaluations that require USFWS concurrence/review, please return to the IPaC website and request an official species list by doing the following:

1. Draw the project location and click CONTINUE.
2. Click DEFINE PROJECT.
3. Log in (if directed to do so).
4. Provide a name and description for your project.
5. Click REQUEST SPECIES LIST.

Listed species<sup>1</sup> and their critical habitats are managed by the [Ecological Services Program](#) of the U.S. Fish and Wildlife Service (USFWS) and the fisheries division of the National Oceanic and Atmospheric Administration (NOAA Fisheries<sup>2</sup>).

Species and critical habitats under the sole responsibility of NOAA Fisheries are **not** shown on this list. Please contact [NOAA Fisheries](#) for [species under their jurisdiction](#).

- 
1. Species listed under the [Endangered Species Act](#) are threatened or endangered; IPaC also shows species that are candidates, or proposed, for listing. See the [listing status page](#) for more information. IPaC only shows species that are regulated by USFWS (see FAQ).

2. [NOAA Fisheries](#), also known as the National Marine Fisheries Service (NMFS), is an office of the National Oceanic and Atmospheric Administration within the Department of Commerce.

The following species are potentially affected by activities in this location:

## Reptiles

NAME	STATUS
Puerto Rican Boa <i>Chilabothrus inornatus</i> Wherever found No critical habitat has been designated for this species. <a href="https://ecos.fws.gov/ecp/species/6628">https://ecos.fws.gov/ecp/species/6628</a>	Endangered

## Critical habitats

Potential effects to critical habitat(s) in this location must be analyzed along with the endangered species themselves.

There are no critical habitats at this location.

## Migratory birds

Certain birds are protected under the Migratory Bird Treaty Act<sup>1</sup> and the Bald and Golden Eagle Protection Act<sup>2</sup>.

Any person or organization who plans or conducts activities that may result in impacts to migratory birds, eagles, and their habitats should follow appropriate regulations and consider implementing appropriate conservation measures, as described below.

1. The [Migratory Birds Treaty Act](#) of 1918.
2. The [Bald and Golden Eagle Protection Act](#) of 1940.

Additional information can be found using the following links:

- Birds of Conservation Concern <https://www.fws.gov/program/migratory-birds/species>
- Measures for avoiding and minimizing impacts to birds <https://www.fws.gov/library/collections/avoiding-and-minimizing-incident-take-migratory-birds>
- Nationwide conservation measures for birds <https://www.fws.gov/sites/default/files/documents/nationwide-standard-conservation-measures.pdf>



There are no migratory birds of conservation concern expected to occur at this location.

**Tell me more about conservation measures I can implement to avoid or minimize impacts to migratory birds.**

[Nationwide Conservation Measures](#) describes measures that can help avoid and minimize impacts to all birds at any location year round. Implementation of these measures is particularly important when birds are most likely to occur in the project area. When birds may be breeding in the area, identifying the locations of any active nests and avoiding their destruction is a very helpful impact minimization measure. To see when birds are most likely to occur and be breeding in your project area, view the Probability of Presence Summary. [Additional measures](#) or [permits](#) may be advisable depending on the type of activity you are conducting and the type of infrastructure or bird species present on your project site.

**What does IPaC use to generate the list of migratory birds that potentially occur in my specified location?**

The Migratory Bird Resource List is comprised of USFWS [Birds of Conservation Concern \(BCC\)](#) and other species that may warrant special attention in your project location.

The migratory bird list generated for your project is derived from data provided by the [Avian Knowledge Network \(AKN\)](#). The AKN data is based on a growing collection of [survey, banding, and citizen science datasets](#) and is queried and filtered to return a list of those birds reported as occurring in the 10km grid cell(s) which your project intersects, and that have been identified as warranting special attention because they are a BCC species in that area, an eagle ([Eagle Act](#) requirements may apply), or a species that has a particular vulnerability to offshore activities or development.

Again, the Migratory Bird Resource list includes only a subset of birds that may occur in your project area. It is not representative of all birds that may occur in your project area. To get a list of all birds potentially present in your project area, please visit the [Rapid Avian Information Locator \(RAIL\) Tool](#).

**What does IPaC use to generate the probability of presence graphs for the migratory birds potentially occurring in my specified location?**

The probability of presence graphs associated with your migratory bird list are based on data provided by the [Avian Knowledge Network \(AKN\)](#). This data is derived from a growing collection of [survey, banding, and citizen science datasets](#).

Probability of presence data is continuously being updated as new and better information becomes available. To learn more about how the probability of presence graphs are produced and how to interpret them, go the Probability of Presence Summary and then click on the "Tell me about these graphs" link.

**How do I know if a bird is breeding, wintering or migrating in my area?**

To see what part of a particular bird's range your project area falls within (i.e. breeding, wintering, migrating or year-round), you may query your location using the [RAIL Tool](#) and look at the range maps provided for birds in your area at the bottom of the profiles provided for each bird in your results. If a bird

on your migratory bird species list has a breeding season associated with it, if that bird does occur in your project area, there may be nests present at some point within the timeframe specified. If "Breeds elsewhere" is indicated, then the bird likely does not breed in your project area.

### What are the levels of concern for migratory birds?

Migratory birds delivered through IPaC fall into the following distinct categories of concern:

1. "BCC Rangewide" birds are [Birds of Conservation Concern](#) (BCC) that are of concern throughout their range anywhere within the USA (including Hawaii, the Pacific Islands, Puerto Rico, and the Virgin Islands);
2. "BCC - BCR" birds are BCCs that are of concern only in particular Bird Conservation Regions (BCRs) in the continental USA; and
3. "Non-BCC - Vulnerable" birds are not BCC species in your project area, but appear on your list either because of the [Eagle Act](#) requirements (for eagles) or (for non-eagles) potential susceptibilities in offshore areas from certain types of development or activities (e.g. offshore energy development or longline fishing).

Although it is important to try to avoid and minimize impacts to all birds, efforts should be made, in particular, to avoid and minimize impacts to the birds on this list, especially eagles and BCC species of rangewide concern. For more information on conservation measures you can implement to help avoid and minimize migratory bird impacts and requirements for eagles, please see the FAQs for these topics.

### Details about birds that are potentially affected by offshore projects

For additional details about the relative occurrence and abundance of both individual bird species and groups of bird species within your project area off the Atlantic Coast, please visit the [Northeast Ocean Data Portal](#). The Portal also offers data and information about other taxa besides birds that may be helpful to you in your project review. Alternately, you may download the bird model results files underlying the portal maps through the [NOAA NCCOS Integrative Statistical Modeling and Predictive Mapping of Marine Bird Distributions and Abundance on the Atlantic Outer Continental Shelf](#) project webpage.

Bird tracking data can also provide additional details about occurrence and habitat use throughout the year, including migration. Models relying on survey data may not include this information. For additional information on marine bird tracking data, see the [Diving Bird Study](#) and the [nanotag studies](#) or contact [Caleb Spiegel](#) or [Pam Loring](#).

### What if I have eagles on my list?

If your project has the potential to disturb or kill eagles, you may need to [obtain a permit](#) to avoid violating the Eagle Act should such impacts occur.

### Proper Interpretation and Use of Your Migratory Bird Report

The migratory bird list generated is not a list of all birds in your project area, only a subset of birds of priority concern. To learn more about how your list is generated, and see options for identifying what other birds may be in your project area, please see the FAQ "What does IPaC use to generate the migratory birds potentially occurring in my specified location". Please be aware this report provides the "probability of presence" of birds within the 10 km grid cell(s) that overlap your project; not your exact project footprint. On the graphs provided, please also look carefully at the survey effort (indicated by the black vertical bar) and for the existence of the "no data" indicator (a red horizontal bar). A high survey effort is

the key component. If the survey effort is high, then the probability of presence score can be viewed as more dependable. In contrast, a low survey effort bar or no data bar means a lack of data and, therefore, a lack of certainty about presence of the species. This list is not perfect; it is simply a starting point for identifying what birds of concern have the potential to be in your project area, when they might be there, and if they might be breeding (which means nests might be present). The list helps you know what to look for to confirm presence, and helps guide you in knowing when to implement conservation measures to avoid or minimize potential impacts from your project activities, should presence be confirmed. To learn more about conservation measures, visit the FAQ "Tell me about conservation measures I can implement to avoid or minimize impacts to migratory birds" at the bottom of your migratory bird trust resources page.

## Facilities

### National Wildlife Refuge lands

Any activity proposed on lands managed by the [National Wildlife Refuge](#) system must undergo a 'Compatibility Determination' conducted by the Refuge. Please contact the individual Refuges to discuss any questions or concerns.

There are no refuge lands at this location.

### Fish hatcheries

There are no fish hatcheries at this location.

### Wetlands in the National Wetlands Inventory (NWI)

Impacts to [NWI wetlands](#) and other aquatic habitats may be subject to regulation under Section 404 of the Clean Water Act, or other State/Federal statutes.

For more information please contact the Regulatory Program of the local [U.S. Army Corps of Engineers District](#).

Please note that the NWI data being shown may be out of date. We are currently working to update our NWI data set. We recommend you verify these results with a site visit to determine the actual extent of wetlands on site.

This location overlaps the following wetlands:

RIVERINE

[R5UBH](#)

A full description for each wetland code can be found at the [National Wetlands Inventory website](#)

**NOTE:** This initial screening does **not** replace an on-site delineation to determine whether wetlands occur. Additional information on the NWI data is provided below.

#### Data limitations

The Service's objective of mapping wetlands and deepwater habitats is to produce reconnaissance level information on the location, type and size of these resources. The maps are prepared from the analysis of high altitude imagery. Wetlands are identified based on vegetation, visible hydrology and geography. A margin of error is inherent in the use of imagery; thus, detailed on-the-ground inspection of any particular site may result in revision of the wetland boundaries or classification established through image analysis.

The accuracy of image interpretation depends on the quality of the imagery, the experience of the image analysts, the amount and quality of the collateral data and the amount of ground truth verification work conducted. Metadata should be consulted to determine the date of the source imagery used and any mapping problems.

Wetlands or other mapped features may have changed since the date of the imagery or field work. There may be occasional differences in polygon boundaries or classifications between the information depicted on the map and the actual conditions on site.

#### Data exclusions

Certain wetland habitats are excluded from the National mapping program because of the limitations of aerial imagery as the primary data source used to detect wetlands. These habitats include seagrasses or submerged aquatic vegetation that are found in the intertidal and subtidal zones of estuaries and nearshore coastal waters. Some deepwater reef communities (coral or tubercid worm reefs) have also been excluded from the inventory. These habitats, because of their depth, go undetected by aerial imagery.

#### Data precautions

Federal, state, and local regulatory agencies with jurisdiction over wetlands may define and describe wetlands in a different manner than that used in this inventory. There is no attempt, in either the design or products of this inventory, to define the limits of proprietary jurisdiction of any Federal, state, or local government or to establish the geographical scope of the regulatory programs of government agencies. Persons intending to engage in activities involving modifications within or adjacent to wetland areas should

seek the advice of appropriate Federal, state, or local agencies concerning specified agency regulatory programs and proprietary jurisdictions that may affect such activities.

NOT FOR CONSULTATION



REGROW PROGRAM

**Figure B 7-1:  
Critical Habitat Map**

Applicant ID: PR-RGRW-01573

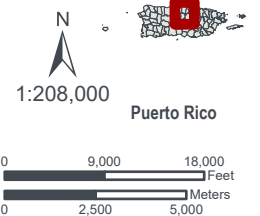


- Site
- Site Parcel
- Buffer (100-ft)
- Critical Habitat - Final
- Critical Habitat - Proposed
- National Wildlife Refuges

Carr 617 km 2.2 hm 3  
Morovis, Puerto Rico 00687

Parcel ID: 138-000-007-48-000  
Parcel Center:  
66.381868°W 18.369843°N

Data Source: [https://services.arcgis.com/QVENGdaPbd4LUkLV/arcgis/rest/services/USFWS\\_Critical\\_Habitat/](https://services.arcgis.com/QVENGdaPbd4LUkLV/arcgis/rest/services/USFWS_Critical_Habitat/)  
Base Map: ESRI ArcGIS Online, accessed May 2023  
Updated: 5/26/2023  
Layout: Critical Habitat  
Aprx: 72428\_ReGrowTier2Maps



**Attachment 8**  
**Explosive and Flammable Hazards Partner**  
**Worksheet**



**U.S. DEPARTMENT OF HOUSING AND URBAN DEVELOPMENT**  
WASHINGTON, DC 20410-1000

This Worksheet was designed to be used by those “Partners” (including Public Housing Authorities, consultants, contractors, and nonprofits) who assist Responsible Entities and HUD in preparing environmental reviews, but legally cannot take full responsibilities for these reviews themselves. Responsible Entities and HUD should use the RE/HUD version of the Worksheet.

**Explosive and Flammable Hazards (CEST and EA) – PARTNER**

<https://www.hudexchange.info/environmental-review/explosive-and-flammable-facilities>

- 1. Does the proposed HUD-assisted project include a hazardous facility (a facility that mainly stores, handles or processes flammable or combustible chemicals such as bulk fuel storage facilities and refineries)?**

No

→ Continue to Question 2.

Yes

**Explain:**

Click here to enter text.

→ Continue to Question 5.

- 2. Does this project include any of the following activities: development, construction, rehabilitation that will increase residential densities, or conversion?**

No → If the RE/HUD agrees with this recommendation, the review is in compliance with this section. Continue to the Worksheet Summary below.

Yes → Continue to Question 3.

- 3. Within 1 mile of the project site, are there any current *or planned* stationary aboveground storage containers:**

- Of more than 100-gallon capacity, containing common liquid industrial fuels OR
- Of any capacity, containing hazardous liquids or gases that are not common liquid industrial fuels?

No → If the RE/HUD agrees with this recommendation, the review is in compliance with this section. Continue to the Worksheet Summary below. Provide all documents used to make your determination.

Yes → Continue to Question 4.

- 4. Is the Separation Distance from the project acceptable based on standards in the Regulation?**

Please visit HUD’s website for information on calculating Acceptable Separation Distance.

Yes

→ If the RE/HUD agrees with this recommendation, the review is in compliance with this section. Continue to the Worksheet Summary below.



*Provide map(s) showing the location of the project site relative to any tanks and your separation distance calculations. If the map identifies more than one tank, please identify the tank you have chosen as the “assessed tank.”*

No

*→ Continue to Question 6.*

*Provide map(s) showing the location of the project site relative to any tanks and your separation distance calculations. If the map identifies more than one tank, please identify the tank you have chosen as the “assessed tank.”*

**5. Is the hazardous facility located at an acceptable separation distance from residences and any other facility or area where people may congregate or be present?**

Please visit HUD’s website for information on calculating Acceptable Separation Distance.

Yes

*→ If the RE/HUD agrees with this recommendation, the review is in compliance with this section. Continue to the Worksheet Summary below.*

*Provide map(s) showing the location of the project site relative to residences and any other facility or area where people congregate or are present and your separation distance calculations.*

No

*→ Continue to Question 6.*

*Provide map(s) showing the location of the project site relative to residences and any other facility or area where people congregate or are present and your separation distance calculations.*

**6. For the project to be brought into compliance with this section, all adverse impacts must be mitigated. Explain in detail the exact measures that must be implemented to make the Separation Distance acceptable, including the timeline for implementation. If negative effects cannot be mitigated, cancel the project at this location.**

Note that only licensed professional engineers should design and implement blast barriers. If a barrier will be used or the project will be modified to compensate for an unacceptable separation distance, provide approval from a licensed professional engineer.

[Click here to enter text.](#)

**Worksheet Summary**

Provide a full description of your determination and a synopsis of the information that it was based on, such as:

- Map panel numbers and dates
- Names of all consulted parties and relevant consultation dates
- Names of plans or reports and relevant page numbers
- Any additional requirements specific to your program or region

**Include all documentation supporting your findings in your submission to HUD.**

The project includes the construction of a new greenhouse. The project itself is not the development of a potentially hazardous facility nor will the project increase residential densities.

**Attachment 9**  
**Farmlands Protection Partner Worksheet**  
**and Prime Farmland Map**



U.S. DEPARTMENT OF HOUSING AND URBAN DEVELOPMENT  
WASHINGTON, DC 20410-1000

This Worksheet was designed to be used by those “Partners” (including Public Housing Authorities, consultants, contractors, and nonprofits) who assist Responsible Entities and HUD in preparing environmental reviews, but legally cannot take full responsibilities for these reviews themselves. Responsible Entities and HUD should use the RE/HUD version of the Worksheet.

## Farmlands Protection (CEST and EA) - PARTNER

<https://www.hudexchange.info/environmental-review/farmlands-protection>

**1. Does your project include any activities, including new construction, acquisition of undeveloped land or conversion, that could convert agricultural land to a non-agricultural use?**

Yes → *Continue to Question 2.*

No

→ *If the RE/HUD agrees with this recommendation, the review is in compliance with this section. Continue to the Worksheet Summary below.*

**2. Does “important farmland,” including prime farmland, unique farmland, or farmland of statewide or local importance regulated under the Farmland Protection Policy Act, occur on the project site?**

You may use the links below to determine important farmland occurs on the project site:

- Utilize USDA Natural Resources Conservation Service’s (NRCS) Web Soil Survey <http://websoilsurvey.nrcs.usda.gov/app/HomePage.htm>
- Check with your city or county’s planning department and ask them to document if the project is on land regulated by the FPPA (zoning important farmland as non-agricultural does not exempt it from FPPA requirements)
- Contact NRCS at the local USDA service center <http://offices.sc.egov.usda.gov/locator/app?agency=nrcs> or your NRCS state soil scientist [http://soils.usda.gov/contact/state\\_offices/](http://soils.usda.gov/contact/state_offices/) for assistance

No → *If the RE/HUD agrees with this recommendation, the review is in compliance with this section. Continue to the Worksheet Summary below. Provide any documents used to make your determination.*

Yes → *Continue to Question 3.*

**3. Consider alternatives to completing the project on important farmland and means of avoiding impacts to important farmland.**

- Complete form [AD-1006, “Farmland Conversion Impact Rating”](#) and contact the state soil scientist before sending it to the local NRCS District Conservationist.
- Work with NRCS to minimize the impact of the project on the protected farmland. When you have finished with your analysis, return a copy of form AD-1006 to the USDA-NRCS State Soil Scientist or his/her designee informing them of your determination.

**Work with the RE/HUD to determine how the project will proceed. Document the conclusion:**

Project will proceed with mitigation.

**Explain in detail the proposed measures that must be implemented to mitigate for the impact or effect, including the timeline for implementation.**

Click here to enter text.

→ *If the RE/HUD agrees with this recommendation, the review is in compliance with this section. Continue to the Worksheet Summary below. Provide form AD-1006 and all other documents used to make your determination.*

Project will proceed without mitigation.

**Explain why mitigation will not be made here:**

Click here to enter text.

→ *If the RE/HUD agrees with this recommendation, the review is in compliance with this section. Continue to the Worksheet Summary below. Provide form AD-1006 and all other documents used to make your determination.*

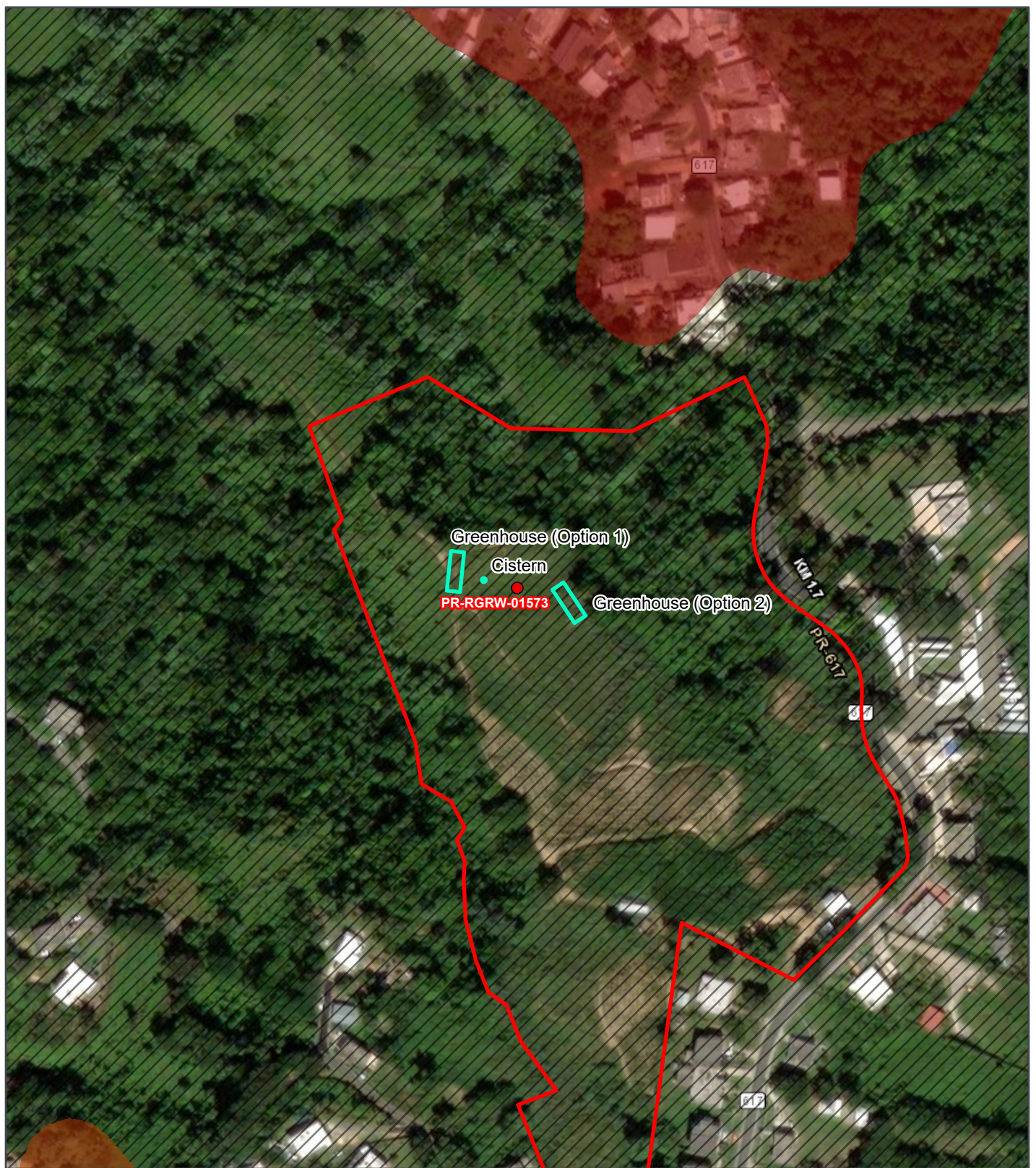
### **Worksheet Summary**

Provide a full description of your determination and a synopsis of the information that it was based on, such as:

- Map panel numbers and dates
- Names of all consulted parties and relevant consultation dates
- Names of plans or reports and relevant page numbers
- Any additional requirements specific to your program or region

### **Include all documentation supporting your findings in your submission to HUD.**

This project does not include any activities that could potentially convert agricultural land to non-agricultural use. No prime farmland or farmlands of statewide importance are within the project area. Although the project includes new construction, the project is exempt from review under the Farmland Protection Policy Act (FFPA) as the project is limited to construction of on-farm structures needed for farm operations. No further review is required.



REGROW PROGRAM

**Figure B 9-1:  
Prime Farmland Map**

Applicant ID: PR-RGRW-01573

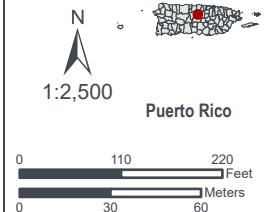


- Site
- Site Parcel
- Project Footprint (Option)
- All areas are prime farmland
- Farmland of statewide importance
- Farmland of statewide importance, if irrigated
- Prime farmland if drained

- Prime farmland if irrigated
- Prime farmland if irrigated and reclaimed of excess salts and sodium
- Prime farmland if protected from flooding or not frequently flooded during the growing season
- Not prime farmland
- Not Public Information

Carr 617 km 2.2 hm 3  
Morovis, Puerto Rico 00687  
Parcel ID: 138-000-007-48-000  
Parcel Center:  
66.415882°W 18.312152°N

Data Source: <https://websoilsurvey.nrc.usda.gov/app/>  
Base Map: ESRI ArcGIS Online,  
accessed May 2023  
Updated: 5/26/2023  
Layout: Prime Farmland  
Aprx: 72428\_ReGrowTier2Maps



## **Attachment 10**

# **Floodplain Management Partner Worksheet and Advisory Base Flood Elevation Map**



This Worksheet was designed to be used by those “Partners” (including Public Housing Authorities, consultants, contractors, and nonprofits) who assist Responsible Entities and HUD in preparing environmental reviews, but legally cannot take full responsibilities for these reviews themselves. Responsible Entities and HUD should use the RE/HUD version of the Worksheet.

## Floodplain Management (CEST and EA) – PARTNER

<https://www.hudexchange.info/environmental-review/floodplain-management>

1. Does [24 CFR 55.12\(c\)](#) exempt this project from compliance with HUD’s floodplain management regulations in Part 55?

Yes

**Provide the applicable citation at 24 CFR 55.12(c) here. If project is exempt under 55.12(c)(6) or (8), provide supporting documentation.**

Click here to enter text.

→ If the RE/HUD agrees with this recommendation, the review is in compliance with this section. Continue to the Worksheet Summary below. Continue to the Worksheet Summary.

No → Continue to Question 2.

2. Provide a FEMA/FIRM map showing the site.

The Federal Emergency Management Agency (FEMA) designates floodplains. The [FEMA Map Service Center](#) provides this information in the form of FEMA Flood Insurance Rate Maps (FIRMs).

**Does your project occur in a floodplain?**

No → Continue to the Worksheet Summary below.

Yes

**Select the applicable floodplain using the FEMA map or the best available information:**

Floodway → Continue to Question 3, Floodways

Coastal High Hazard Area (V Zone) → Continue to Question 4, Coastal High Hazard Areas

500-year floodplain (B Zone or shaded X Zone) → Continue to Question 5, 500-year Floodplains

100-year floodplain (A Zone) → The 8-Step Process is required. Continue to Question 6, 8-Step Process

3. **Floodways**

**Is this a functionally dependent use?**

Yes

The 8-Step Process is required. Work with HUD or the RE to assist with the 8-Step Process.  
→ *Continue to Worksheet Summary.*

- No → *Federal assistance may not be used at this location unless an exception in 55.12(c) applies. You must either choose an alternate site or cancel the project.*

**4. Coastal High Hazard Area**

**Is this a critical action such as a hospital, nursing home, fire station, or police station?**

- Yes → *Critical actions are prohibited in coastal high hazard areas unless an exception in 55.12(c) applies. You must either choose an alternate site or cancel the project.*

- No

**Does this action include new construction that is not a functionally dependent use, existing construction (including improvements), or reconstruction following destruction caused by a disaster?**

- Yes, there is new construction of something that is not a functionally dependent use.  
New construction must be designed to FEMA standards for V Zones at 44 CFR 60.3(e) (24 CFR 55.1(c)(3)(i)).

→ *Continue to Question 6, 8-Step Process*

- No, this action concerns only existing construction.

Existing construction must have met FEMA elevation and construction standards for a coastal high hazard area or other standards applicable at the time of construction.

→ *Continue to Question 6, 8-Step Process*

**5. 500-year Floodplain**

**Is this a critical action?**

- No → *If the RE/HUD agrees with this recommendation, the review is in compliance with this section. Continue to the Worksheet Summary below. Continue to the Worksheet Summary below.*

- Yes → *Continue to Question 6, 8-Step Process*

**6. 8-Step Process.**

**Is this 8-Step Process required? Select one of the following options:**

- 8-Step Process applies.

This project will require mitigation and may require elevating structure or structures. See the link to the HUD Exchange above for information on HUD's elevation requirements.

→ *Work with the RE/HUD to assist with the 8-Step Process. Continue to Worksheet Summary.*

- 5-Step Process is applicable per 55.12(a)(1-3).

**Provide the applicable citation at 24 CFR 55.12(a) here.**

Click here to enter text.

→ *Work with the RE/HUD to assist with the 5-Step Process. Continue to Worksheet Summary.*

- 8-Step Process is inapplicable per 55.12(b)(1-4).

**Provide the applicable citation at 24 CFR 55.12(b) here.**



Click here to enter text.

→ *If the RE/HUD agrees with this recommendation, the review is in compliance with this section. Continue to the Worksheet Summary below.*

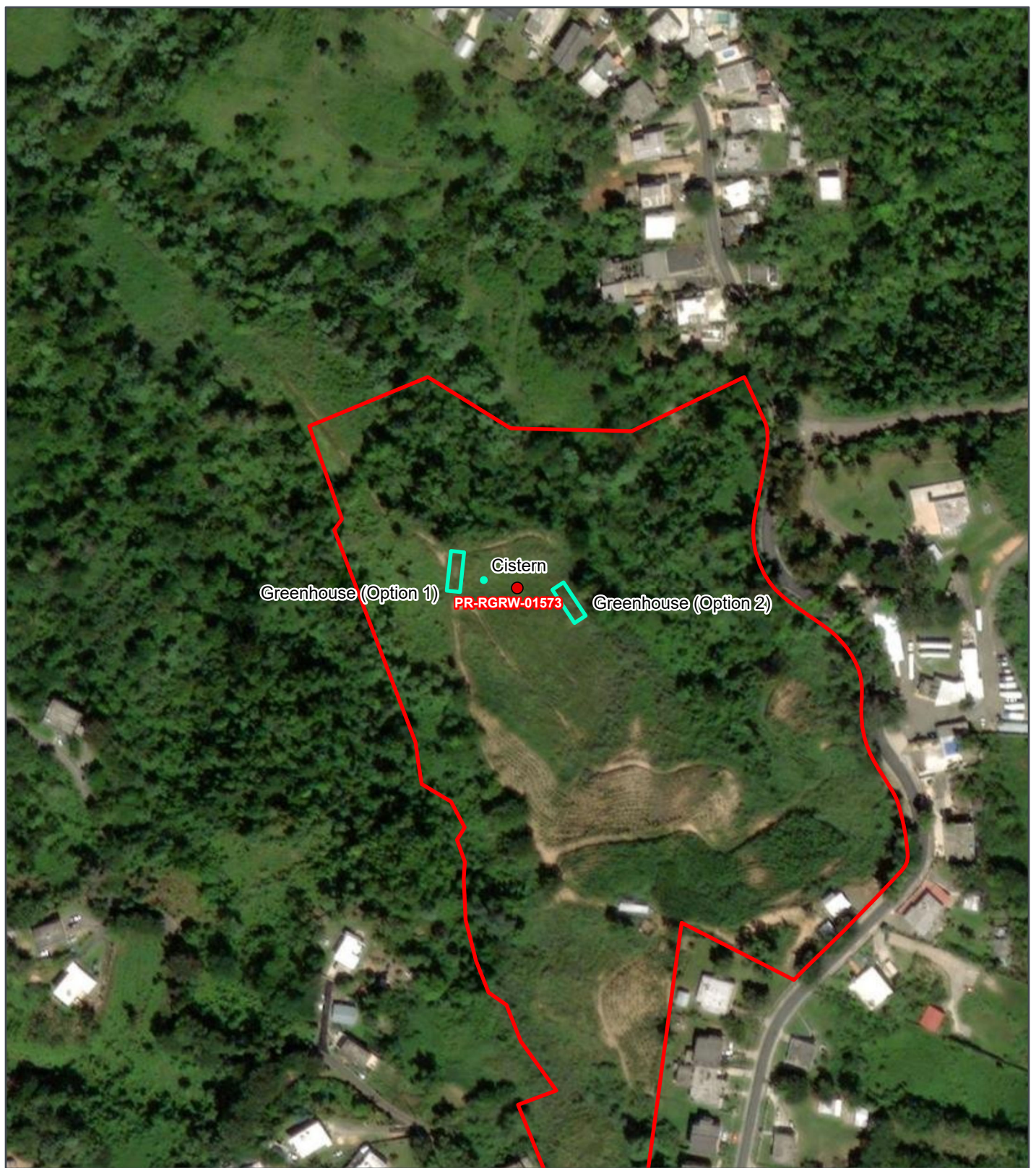
### **Worksheet Summary**

Provide a full description of your determination and a synopsis of the information that it was based on, such as:

- Map panel numbers and dates
- Names of all consulted parties and relevant consultation dates
- Names of plans or reports and relevant page numbers
- Any additional requirements specific to your program or region

### **Include all documentation supporting your findings in your submission to HUD.**

A review of the Advisory Base Flood Elevation (ABFE) map, Community Panels 72000C0670J (effective date 11/18/2009) and 72000C0660H (effective date 04/19/2005), show the project site is in Flood Zone X. The project is not located in the 100-year floodplain or ABFE special flood hazard area; therefore, no further action is required.



REGROW PROGRAM

**Figure B 10-1:  
Advisory Base Flood  
Elevation For 100-Year  
Floodplain Map**

Applicant ID: PR-RGRW-01573



- Site
- Site Parcel
- Project Footprint (Option)
- Advisory Base Flood Elevation (ABFE)
- 0.2% Annual Chance Flood
- 1% Annual Chance Flood
- Zone A
- Zone A-Floodway
- Zone AE
- Coastal A Zone and Floodway
- Zone AE-Floodway
- Zone AO
- Zone VE
- Zone X (500-year floodplain)
- Zone/BFE Boundary

Carr 617 km 2.2 hm 3  
Morovis, Puerto Rico 00687

Parcel ID: 138-000-007-48-000  
Parcel Center:  
66.415882°W 18.312152°N

Data Source: [https://gis.fema.gov/arcgis/rest/services/DR/PuertoRico\\_ABFE\\_1PCT/MapServer](https://gis.fema.gov/arcgis/rest/services/DR/PuertoRico_ABFE_1PCT/MapServer)

Base Map: ESRI ArcGIS Online, accessed May 2023  
Updated: 5/26/2023  
Layout: ABFE 1Pct  
Aprx: 72428\_ReGrowTier2Maps

N

1:2,500 Puerto Rico

0 110 220 Feet  
0 30 60 Meters

## **Attachment 11**

**Historic Preservation Partner Worksheet,  
SHPO Consultation, Historic Property Map,  
and Cultural Resources Map**



**U.S. DEPARTMENT OF HOUSING AND URBAN DEVELOPMENT**  
WASHINGTON, DC 20410-1000

This Worksheet was designed to be used by those “Partners” (including Public Housing Authorities, consultants, contractors, and nonprofits) who assist Responsible Entities and HUD in preparing environmental reviews, but legally cannot take full responsibilities for these reviews themselves. Responsible Entities and HUD should use the RE/HUD version of the Worksheet.

## Historic Preservation (CEST and EA) – PARTNER

<https://www.hudexchange.info/environmental-review/historic-preservation>

### Threshold

#### Is Section 106 review required for your project?

- No, because a Programmatic Agreement states that all activities included in this project are exempt. (See the [PA Database](#) to find applicable PAs.)

**Either provide the PA itself or a link to it here. Mark the applicable exemptions or include the text here:**

Click here to enter text.

→ *Continue to the Worksheet Summary.*

- No, because the project consists solely of activities included in a No Potential to Cause Effects memo or other determination [36 CFR 800.3(a)(1)].

**Either provide the memo itself or a link to it here. Explain and justify the other determination here:**

Click here to enter text.

→ *Continue to the Worksheet Summary.*

- Yes, because the project includes activities with potential to cause effects (direct or indirect). → *Continue to Step 1.*

#### **The Section 106 Process**

After determining the need to do a Section 106 review, HUD or the RE will initiate consultation with regulatory and other interested parties, identify and evaluate historic properties, assess effects of the project on properties listed on or eligible for the National Register of Historic Places, and resolve any adverse effects through project design modifications or mitigation.

Step 1: Initiate consultation

Step 2: Identify and evaluate historic properties

Step 3: Assess effects of the project on historic properties

Step 4: Resolve any adverse effects

Only RE or HUD staff may initiate the Section 106 consultation process. Partner entities may gather information, including from SHPO records, identify and evaluate historic properties, and make initial assessments of effects of the project on properties listed in or eligible for the National Register of Historic Place. Partners should then provide their RE or HUD with all of their analysis and documentation so that they may initiate consultation.

## Step 1 - Initiate Consultation

The following parties are entitled to participate in Section 106 reviews: Advisory Council on Historic Preservation; State Historic Preservation Officers (SHPOs); federally recognized Indian tribes/Tribal Historic Preservation Officers (THPOs); Native Hawaiian Organizations (NHOs); local governments; and project grantees. The general public and individuals and organizations with a demonstrated interest in a project may participate as consulting parties at the discretion of the RE or HUD official. Participation varies with the nature and scope of a project. Refer to HUD's website for guidance on consultation, including the required timeframes for response. Consultation should begin early to enable full consideration of preservation options.

Use the [When To Consult With Tribes checklist](#) within [Notice CPD-12-006: Process for Tribal Consultation](#) to determine if the RE or HUD should invite tribes to consult on a particular project. Use the [Tribal Directory Assessment Tool \(TDAT\)](#) to identify tribes that may have an interest in the area where the project is located. Note that only HUD or the RE may initiate consultation with Tribes. Partner entities may prepare a draft letter for the RE or HUD to use to initiate consultation with tribes, but may not send the letter themselves.

**List all organizations and individuals that you believe may have an interest in the project here:**

SHPO, PRDOH, applicant

See SHPO consultation package for more information.

→ *Continue to Step 2.*

## Step 2 - Identify and Evaluate Historic Properties

**Provide a preliminary definition of the Area of Potential Effect (APE), either by entering the address(es) or providing a map depicting the APE.** Attach an additional page if necessary.

Project location: Carretera 617 KM 2.2 hm 3, Morovis, PR 00687.

The proposed project includes the construction and installation of a new greenhouse at one of two locations and two 700-gallon cisterns. No platform will be required for the cisterns. The proposed new greenhouse will be approximately 1,200 square feet in size (20 feet by 60 feet) with a height of approximately 15.5 feet. The greenhouse will be built on the cleared ground at one of two locations, secured using 12-inch-wide concrete footers extending approximately 2 feet deep into the ground. The greenhouse will have an estimated total of 24 posts (lengthwise- 8 posts on each side at 8 feet apart, widthwise- 4 posts on each side at 6 feet apart). Note- The initial greenhouse design was 30 feet by 72 feet, and the construction plans provided by the applicant reflect these dimensions. Due to increasing material costs, the applicant has decided to reduce size of the new greenhouse. The number of posts is estimated based on the reduced dimensions.

An existing greenhouse is in the northern portion of the parcel. Site Option 1 is closer to this existing greenhouse than Option 2 further east and is the preferred alternative. The applicant will collect rainwater in the cisterns. Irrigation piping and connections to the new greenhouse and cisterns will connect to the existing infrastructure using aboveground lines. The applicant will also use existing solar panels to generate electricity to the greenhouse, connecting to the solar panels through aboveground cables.

As defined in 36 CFR §800.16(d), the area of potential effects (APE) is the geographic area or areas within which an undertaking may directly or indirectly cause changes in the character or use of historic properties if any such properties exist. Based on this definition and the nature and scope of the Undertaking, the Program has determined that the direct APE for this project is the location of the concrete base plus a 15-

meter horizontal buffer to allow for some leeway for final placement during construction and the visual APE is the viewshed of the proposed project.

Gather information about known historic properties in the APE. Historic buildings, districts and archeological sites may have been identified in local, state, and national surveys and registers, local historic districts, municipal plans, town and county histories, and local history websites. If not already listed on the National Register of Historic Places, identified properties are then evaluated to see if they are eligible for the National Register. Refer to HUD's website for guidance on identifying and evaluating historic properties.

**In the space below, list historic properties identified and evaluated in the APE.**

Every historic property that may be affected by the project should be listed. For each historic property or district, include the National Register status, whether the SHPO has concurred with the finding, and whether information on the site is sensitive. Attach an additional page if necessary.

Project actions will not affect historic properties that compose the Area of Potential Effect. The project area is not within or adjacent to the boundaries of a National Register of Historic Places (NRHP)-eligible or listed historic district or Traditional Urban Center. There are no reported archaeological materials or significant cultural properties within a half-mile radius of the proposed project location. No known archaeological sites or NRHP listed/eligible historic properties are within or adjacent to the property or the parcel in which the Area of Potential Effect is located. The Morovis Centros Urbanos (the southern portion) is approximately 0.77 miles to the northeast. Two Section 106 surveys have been performed in the 0.5-mile review area, but all properties had determinations of No Historic Properties (Código SHPO #06-24-10-09 and 11-18-10-02). No other historic properties have been found in the area. There are two built resources within direct visual sight of the proposed undertaking. The applicant is currently constructing a new house in the southern part of the property, about 650 ft away from the Greenhouse options. A corral with associated storage shed is present closer to the greenhouse sites. The corral fencing and the shed use standard and makeshift materials and have no architectural characteristics of note. The applicant stated these were built in the early 1980s.

The project area is south of Vista Verde in Morovis Sur Municipio and sits above Highway 617. The area is suburban with various housing and commercial properties scattered among hillsides and tropical vegetation. Both proposed greenhouse and the cistern work location options would not be visible from Highway 617 and the housing below the hillside, especially due to the existing vegetation remaining in place.

*Provide the documentation (survey forms, Register nominations, concurrence(s) and/or objection(s), notes, and photos) that justify your National Register Status determination.*

**Was a survey of historic buildings and/or archeological sites done as part of the project?**

If the APE contains previously unsurveyed buildings or structures over 50 years old, or there is a likely presence of previously unsurveyed archeological sites, a survey may be necessary. For Archeological surveys, refer to HP Fact Sheet #6, [Guidance on Archeological Investigations in HUD Projects](#).

Yes → Provide survey(s) and report(s) and continue to Step 3.

Additional notes:

[Click here to enter text.](#)

No → Continue to Step 3.

### Step 3 - Assess Effects of the Project on Historic Properties

Only properties that are listed on or eligible for the National Register of Historic Places receive further consideration under Section 106. Assess the effect(s) of the project by applying the Criteria of Adverse Effect. ([36 CFR 800.5](#)) Consider direct and indirect effects as applicable as per HUD guidance.

**Choose one of the findings below to recommend to the RE or HUD.**

Please note: this is a recommendation only. It is **not** the official finding, which will be made by the RE or HUD, but only your suggestion as a Partner entity.

No Historic Properties Affected

**Document reason for finding:**

No historic properties present.

Historic properties present, but project will have no effect upon them.

No Adverse Effect

**Document reason for finding and provide any comments below.**

Comments may include recommendations for mitigation, monitoring, a plan for unanticipated discoveries, etc.

[Click here to enter text.](#)

Adverse Effect

**Document reason for finding:**

Copy and paste applicable Criteria into text box with summary and justification.

Criteria of Adverse Effect: [36 CFR 800.5](#)]

[Click here to enter text.](#)

**Provide any comments below:**

Comments may include recommendations for avoidance, minimization, and/or mitigation.

The proposed project involves the construction of a new greenhouse on undeveloped land and ground disturbing activities of previously undisturbed soil. State Historic Preservation Office (SHPO) consultation was performed.

No National Historic Landmark (NHL) are within or near the project area.

A site visit was conducted on March 3, 2023, by an SOI-qualified Archaeologist. Additionally, record reviews and research were conducted at the SHPO and the Institute for Puerto Rican Culture (ICP) to determine if any archaeologically sensitive resources could be present within a 0.5-mile radius.

The results of the record search and the site inspection indicate that there are no historic properties or cultural resources within the 0.50-mile radius study area or within the project Area of Potential Effect (APE). Based on the results of the historic property identification efforts, the Program has determined that project actions will not affect historic properties that compose the APE.

The determination was submitted to SHPO by PRDOH for concurrence on April 20 2023, and SHPO concurred with the No Historic Properties Affected determination on May 22, 2023.

*Remember to provide all documentation that justifies your National Register Status determination and recommendations along with this worksheet.*



**GOVERNMENT OF PUERTO RICO**  
STATE HISTORIC PRESERVATION OFFICE

Executive Director | Carlos A. Rubio-Cancela | [carubio@prshpo.pr.gov](mailto:carubio@prshpo.pr.gov)

May 22, 2023

**Lauren Bair Poche**

HORNE- Architectural Historian Manager  
10000 Perkins Rowe, Suite 610 Bldg G  
Baton Rouge, LA 70810

SHPO: 04-20-23-08 PUERTO RICO DISASTER RECOVERY, CDBG-DR RE-GROW PR URBAN-RURAL AGRICULTURAL RE-GROW PROGRAM, PR-RGRW-01573, GABRIEL A. DELGADO ROSADO, BO. NEGROS, URB. VISTA BONITA, CARR. 617 KM 2.2.3, MOROVIS, PUERTO RICO

Dear Ms. Poche,

Our Office has received and reviewed the above referenced project in accordance with 54 USC 306108 (commonly known as Section 106 of the *National Historic Preservation Act, as amended*) and 36 CFR Part 800: *Protection of Historic Properties* from the Advisory Council on Historic Preservation. The State Historic Preservation Officer (SHPO) is to advise and assist federal agencies and other responsible entities when identifying historic properties, assessing effects upon them, and considering alternatives to avoid or reduce the project's effects.

Our records support your finding of **no historic properties affected** within the project's area of potential effects.

Please note that should the Agency discover other historic properties at any point during project implementation, you should notify the SHPO immediately. If you have any questions concerning our comments, do not hesitate to contact our Office.

Sincerely,

Carlos A. Rubio-Cancela  
State Historic Preservation Officer

CARC/GMO/LGC





April 20, 2023

Carlos A. Rubio Cancela  
State Historic Preservation Officer  
Puerto Rico State Historic Preservation Office  
Cuartel de Ballajá (Tercer Piso)  
San Juan, PR 00902-3935

**Puerto Rico Disaster Recovery, CDBG-DR Re-Grow PR Urban-Rural Agricultural (Re-Grow PR) Program**

**Section 106 NHPA Effect Determination Submittal: PR-RGRW-01573 – Gabriel A. Delgado Rosado – Carretera 617 Km 2.2 Hm 3, Morovis, Puerto Rico – *No Historic Properties Affected***

Dear Architect Rubio Cancela,

In accordance with Section 106 of the National Historic Preservation Act and its implementing regulations, 36 CFR Part 800, HORNE is providing information for your review and requesting your concurrence regarding the above-referenced projects on behalf of the Puerto Rico Department of Housing (PRDOH) and the Home Repair, Reconstruction, or Relocation (R3) Program. On February 9, 2018, an allocation of Community Development Block Grant - Disaster Recovery (CDBG-DR) funds was approved by the United States Department of Housing and Urban Development (HUD) under the Federal Register Volume 83, No. 28, 83 FR 5844, to assist the Commonwealth of Puerto Rico in meeting unmet needs in the wake of Hurricanes Irma and Maria. On August 14, 2018, an additional \$8.22 billion recovery allocation was allocated to Puerto Rico under the Federal Register Volume 83, No. 157, 83 FR 40314. With these funding allocations, the Puerto Rico Department of Housing (Housing) aims to lead a comprehensive and transparent recovery for the benefit of Puerto Rico residents.

On behalf of PRDOH and the subrecipient, the Puerto Rico Department of Agriculture, we are submitting documentation for activities proposed by Gabriel A. Delgado Rosado at Carretera 617 Km 2.2 Hm 3 in the municipality of Morovis. The proposed project includes the construction and installation of a new greenhouse at one of two locations and two 700-gallon cisterns. No platform will be required for the cisterns. Based on the submitted documentation, the Program requests a concurrence that a determination of No Historic Properties Affected is appropriate for this proposed project.


Please contact me by email at [lauren.poche@horne.com](mailto:lauren.poche@horne.com) or phone at 225-405-7676 with any questions or concerns.

Kindest regards,

  
**Lauren Bair Poche, M.A.**

Architectural Historian, Historic Preservation Senior Manager

Attachments

<b>PUERTO RICO 2017 DISASTER RECOVERY, CDBG-DR PROGRAM</b>		
<b>REGROW PUERTO RICO PROGRAM</b>		
<b>Section 106 NHPA Effect Determination</b>		
<b>Applicant:</b> Gabriel A. Delgado Rosado		
<b>Case ID:</b> PR-RGRW-01573	<b>City:</b> Morovis	

<b>Project Location:</b> Carretera 617 km 2.2 hm 3, Morovis, Puerto Rico, 00687	
<b>Project Coordinates</b> (as provided by applicant during site visit): Greenhouse Option 1: 18.31222, -66.41615 Greenhouse Option 2: 18.312091, -66.415658 Cistern: 18.312185, -66.416027	
<b>TPID</b> (Número de Catastro): 138-000-007-48-000	
<b>Type of Undertaking:</b> <input type="checkbox"/> Substantial Repair/Improvements <input checked="" type="checkbox"/> New Construction	
<b>Construction Date</b> (AH est.): Corral ca.1980; applicant house 2023	<b>Property Size</b> (acres): 14.20 acres Greenhouse: 0.027549 acres (1,200 sq. ft) Cistern: 0.000649 acres (28 sq. ft)


<b>SOI-Qualified Architect/Architectural Historian:</b> Erin Edwards, M.P.S.
<b>Date Reviewed:</b> April 3, 2023
<b>SOI-Qualified Archaeologist:</b> Delise Torres Ortiz and Rob Lackowicz
<b>Date Reviewed:</b> April 4, 2023

In compliance with Section 106 of the National Historic Preservation Act (NHPA), the Program is responsible for identifying historic properties listed in the NRHP and any properties not listed that would be considered eligible for listing that are located within the geographic area of potential effects (APE) of the proposed project and assessing the potential effects of its undertakings on these historic properties.

### Project Description (Undertaking)

The proposed project includes the construction and installation of a new greenhouse at one of two locations and two 700-gallon cisterns. No platform will be required for the cisterns. The proposed new greenhouse will be approximately 1,200 square feet in size (20 feet by 60 feet) with a height of approximately 15.5 feet. The greenhouse will be built on the cleared ground at one of two locations, secured using 12-inch-wide concrete footers extending approximately 2 feet deep into the ground. The greenhouse will have an estimated total of 24 posts (lengthwise- 8 posts on each side at 8 feet apart, widthwise- 4 posts on each side at 6 feet apart). Note- The initial greenhouse design was 30 feet by 72 feet, and the construction plans provided by the applicant reflect these dimensions. Due to increasing material costs, the applicant has decided to reduce size of the new greenhouse. The number of posts is estimated based on the reduced dimensions.

An existing greenhouse is in the northern portion of the parcel. Site Option 1 is closer to this existing greenhouse than Option 2 further east and is the preferred alternative. The

<b>PUERTO RICO 2017 DISASTER RECOVERY, CDBG-DR PROGRAM</b> <b>REGROW PUERTO RICO PROGRAM</b> <b>Section 106 NHPA Effect Determination</b>	
<b>Applicant:</b> Gabriel A. Delgado Rosado	
<b>Case ID:</b> PR-RGRW-01573	<b>City:</b> Morovis

applicant will collect rainwater in the cisterns. Irrigation piping and connections to the new greenhouse and cisterns will connect to the existing infrastructure using aboveground lines. The applicant will also use existing solar panels to generate electricity to the greenhouse, connecting to the solar panels through aboveground cables.

The project will involve some ground disturbance as outlined above, but no pruning or tree clearing is required for construction. The applicant owns the property; therefore, no acquisition is required.


### **Area of Potential Effects**

As defined in 36 CFR §800.16(d), the area of potential effects (APE) is the geographic area or areas within which an undertaking may directly or indirectly cause changes in the character or use of historic properties if any such properties exist. Based on this definition and the nature and scope of the Undertaking, the Program has determined that the direct APE for this project is the location of the concrete base plus a 15-meter horizontal buffer to allow for some leeway for final placement during construction and the visual APE is the viewshed of the proposed project.

### **Identification of Historic Properties - Archaeology**

Existing information on previously identified historic properties has been reviewed to determine if any such properties are located within the APE of this undertaking. The review of this existing information was performed by a Program contracted Archaeologist meeting the Secretary of the Interior's Professional Qualification Standards (36 CFR Part 61), who searched the records at the State Historic Preservation Office (SHPO) and the Instituto de Cultura Puertorriqueña (ICP) which shows no historic property, archaeological materials, or significant cultural properties within a half-mile (mi) radius of the project location. Two archaeological evaluations (ICP-CAT-MV-15-10-02 and ICP-CAT-MV-91-01-04) and three studies of cultural resources (ICP-CAT-MV-06-07-02, ICP-CAT-MV-98-03-07, and ICP-CAT-MV-94-02-06) were conducted within the half-review mile radius with no cultural resources found; the closest is ICP-CAT-MV-15-10-02 about 0.14-mi (0.22 kilometers [km]) to the southwest. Other surveys are discussed in the architectural section, bellow.

The project area is located on a leveled portion of a mountain side within the Cordillera Central adjacent to Highway 617 in Morovis. Greenhouse Option 1 is at an approximate elevation of 863 feet (ft; 263 meters [m]) above mean sea level while Greenhouse Option 2 is about 845 ft (257.6 m) amsl. Per the USGS/NRCS Web Soil Survey, all project areas and


<b>PUERTO RICO 2017 DISASTER RECOVERY, CDBG-DR PROGRAM</b> <b>RE-grow PUERTO RICO PROGRAM</b> <b>Section 106 NHPA Effect Determination</b>	 GOVERNMENT OF PUERTO RICO DEPARTMENT OF HOUSING
<b>Applicant:</b> Gabriel A. Delgado Rosado	
<b>Case ID:</b> PR-RGRW-01573	<b>City:</b> Morovis

their APE are located within one mapped soil series: PeF – Pellejas clay loam, 40 to 60 percent slopes. The surrounding location includes mountain slopes with local and introduced vegetation, and a humid tropical climate. The closest freshwater source is the ephemeral headwaters of an unnamed Río Grande de Manatí tributary located about 110 ft (34 m) north of Greenhouse Option 2, with the closest more perennial source being a Río Morovis tributary approximately 1,030 ft (314 m) to its east. The Atlantic Ocean coast is approximately 11.2 mi (18 km) north from the project area.

### Identification of Historic Properties - Architecture

Existing information on previously identified historic properties has been reviewed to determine if any such properties are located within the APE of this undertaking. The review of this existing information, by a Program contracted Historic Preservation Specialist meeting the Secretary of the Interior's Professional Qualification Standards (36 CFR Part 61), shows that the project area is not within the boundaries of the National Register of Historic Places (NRHP)-eligible or listed Traditional Urban Center or Historic District. The Morovis Centros Urbanos (the southern portion) is approximately 0.77 miles to the northeast. Two Section 106 surveys have been performed in the 0.5-mile review area, but all properties had determinations of No Historic Properties (Código SHPO #06-24-10-09 and 11-18-10-02). No other historic properties have been found in the area. There are two built resources within direct visual sight of the proposed undertaking. The applicant is currently constructing a new house in the southern part of the property, about 650 ft away from the Greenhouse options. A corral with associated storage shed is present closer to the greenhouse sites. The corral fencing and the shed use standard and makeshift materials and have no architectural characteristics of note. The applicant stated these were built in the early 1980s.

The project area is south of Vista Verde in Morovis Sur Municipio and sits above Highway 617. The area is suburban with various housing and commercial properties scattered among hillsides and tropical vegetation. Both proposed greenhouse and the cistern work location options would not be visible from Highway 617 and the housing below the hillside, especially due to the existing vegetation remaining in place.


<b>PUERTO RICO 2017 DISASTER RECOVERY, CDBG-DR PROGRAM</b> <b>REGROW PUERTO RICO PROGRAM</b> <b>Section 106 NHPA Effect Determination</b>	 GOVERNMENT OF PUERTO RICO DEPARTMENT OF HOUSING
<b>Applicant:</b> Gabriel A. Delgado Rosado	
<b>Case ID:</b> PR-RGRW-01573	<b>City:</b> Morovis

## Determination

The following historic properties have been identified within the APE:

- Direct Effect:
  - None
- Indirect Effect:
  - None

Based on the results of our historic property identification efforts, the Program has determined that project actions will not affect historic properties that compose the Area of Potential Effect. The project area is not within or adjacent to the boundaries of a National Register of Historic Places (NRHP)-eligible or listed historic district or Traditional Urban Center. There are no reported archaeological materials or significant cultural properties within a half-mile radius of the proposed project location. No known archaeological sites or NRHP listed/eligible historic properties are within or adjacent to the property or the parcel in which the Area of Potential Effect of case PR-RGRW-01573 is located. The closest freshwater body is within about 110 ft (34 m) of Greenhouse Option 2 but is an ephemeral headwater and the total area of potential land impacts is very small at 0.026 acres. The construction of private roads, residential structures and agricultural infrastructure has previously impacted the project locations and surrounding terrain. Therefore, no impact to cultural properties is anticipated for this project.

<b>PUERTO RICO 2017 DISASTER RECOVERY, CDBG-DR PROGRAM</b> <b>REGROW PUERTO RICO PROGRAM</b> <b>Section 106 NHPA Effect Determination</b>	
<b>Applicant:</b> Gabriel A. Delgado Rosado	
<b>Case ID:</b> PR-RGRW-01573	<b>City:</b> Morovis

**Recommendation (Please keep on same page as SHPO Staff Section)**

The Puerto Rico Department of Housing requests that the Puerto Rico SHPO concur that the following determination is appropriate for the undertaking (Choose One):

- No Historic Properties Affected
- No Adverse Effect  
    Condition (if applicable):
- Adverse Effect  
    Proposed Resolution (if applicable)

**This Section is to be Completed by SHPO Staff Only**

The Puerto Rico State Historic Preservation Office has reviewed the above information and:  <input type="checkbox"/> <b>Concurs</b> with the information provided. <input type="checkbox"/> <b>Does not concur</b> with the information provided.	
<b>Comments:</b>   	
Carlos Rubio-Cancela State Historic Preservation Officer	Date:

Applicant: Gabriel A. Delgado Rosado

Case ID: PR-RGRW-01573

City: Morovis

### Project (Parcel) Location – Area of Potential Effect Map (Aerial)



REGROW PROGRAM

#### Project Location Area of Potential Effects Map

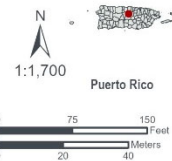
Applicant ID: PR-RGRW-01573



- Site
- ▭ Site Parcel
- ▭ Project Footprint (Option)
- ▭ Buffer (15-meters)

Carr 617 km 2.2 hm 3  
Morovis, Puerto Rico 00687  
Parcel ID: 138-000-007-48-000  
Parcel Center:  
66.415882°W 18.312152°N

Base Map: ESRI ArcGIS Online,  
accessed March 2023  
Updated: 3/10/2023  
Layout: APE  
Aptx: 72428\_ReGrowTier2Maps



Applicant: Gabriel A. Delgado Rosado

Case ID: PR-RGRW-01573

City: Morovis

### Project (Parcel) Location - Aerial Map



REGROW PROGRAM

#### Site Vicinity Map

Applicant ID: PR-RGRW-01573



- Site
- ▭ Site Parcel
- ▭ Project Footprint (Options)

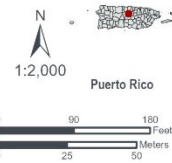
Carr 617 km 2.2 hm 3  
Morovis, Puerto Rico 00687

Parcel ID: 138-000-007-48-000

Parcel Center:  
66.415487°W 18.31121°N

Base Map: ESRI ArcGIS Online,  
accessed March 2023  
Updated: 3/9/2023

Layout: Site Vicinity  
Apx: 72428\_RegrowTier2Maps





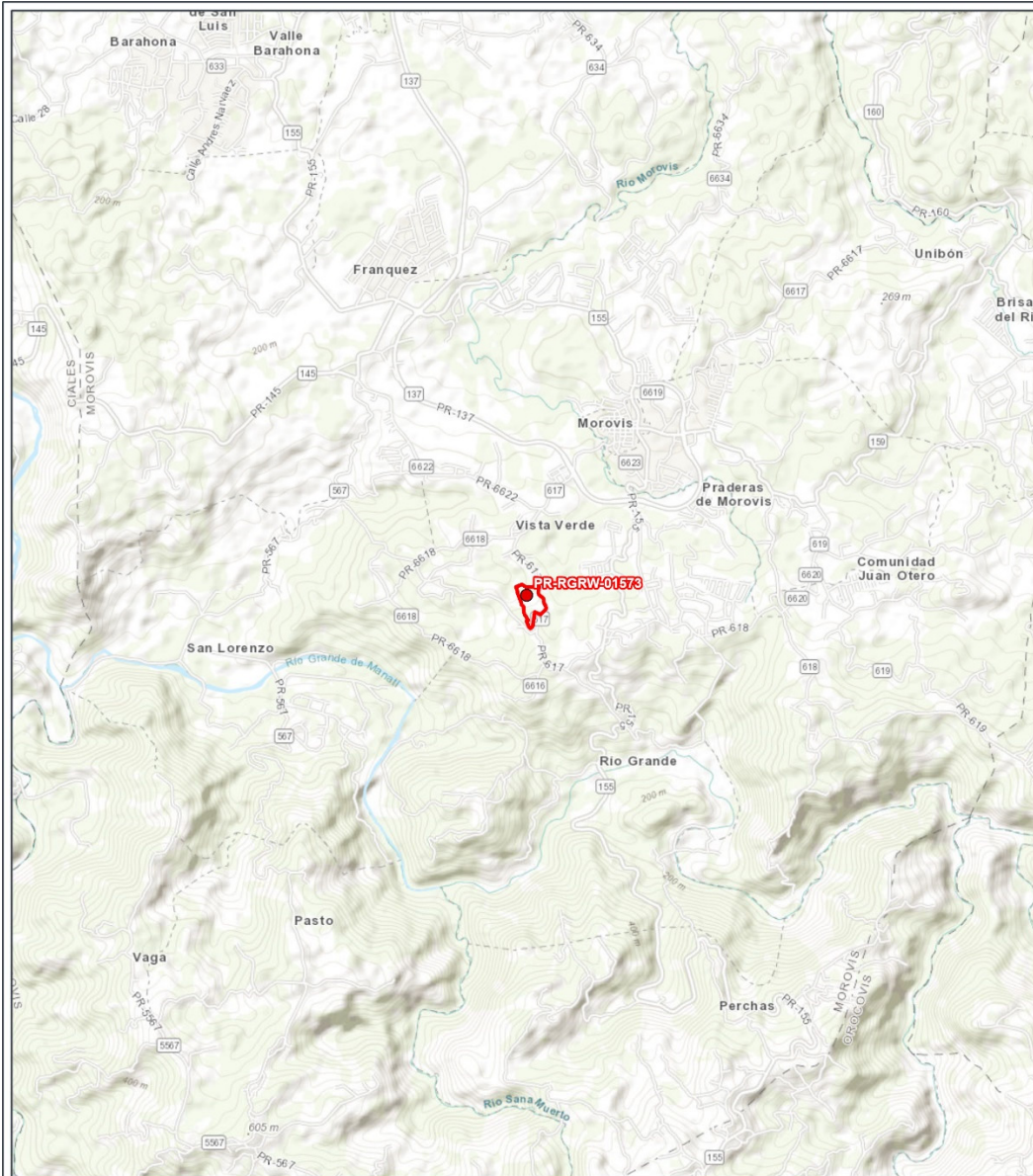


Applicant: Gabriel A. Delgado Rosado

Case ID: PR-RGRW-01573

City: Morovis

Project (Parcel) Location - USGS Topographic Map



REGROW PROGRAM

Site Location Map

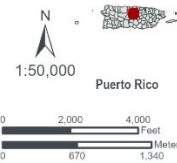
Applicant ID: PR-RGRW-01573



- Site
- ▭ Site Parcel

Carr 617 km 2.2 hm 3  
 Morovis, Puerto Rico 00687  
 Parcel ID: 138-000-007-48-000  
 Parcel Center:  
 66.415882°W 18.312152°N

Base Map: ESRI ArcGIS Online,  
 accessed March 2023  
 Updated: 3/9/2023  
 Layout: Site Location  
 Aprx: 72428\_ReGrowTier2Maps



Applicant: Gabriel A. Delgado Rosado

Case ID: PR-RGRW-01573

City: Morovis

### Project (Parcel) Location – Soils Map



Mapunit Symbol	Mapunit Name
InD	Ingenio clay loam, 5 to 20 percent slopes
LcF2	Lirios clay loam, 40 to 60 percent slopes, eroded
PeF	Pellejas clay loam, 40 to 60 percent slopes

REGROW PROGRAM

USDA Soils Map

Applicant ID: PR-RGRW-01573



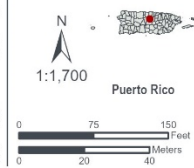
- Site
- Site Parcel
- Project Footprint (Option)
- Soil Mapunit

Carr 617 km 2.2 Irm 3  
Morovis, Puerto Rico 00687

Parcel ID: 138-000-007-48-000

Parcel Center:  
66.415882°W 18.312152°N

Base Map: ESRI ArcGIS Online,  
accessed March 2023  
Updated: 3/10/2023  
Layout: Soils  
Aprx: 72428\_ReGrowTex2Maps

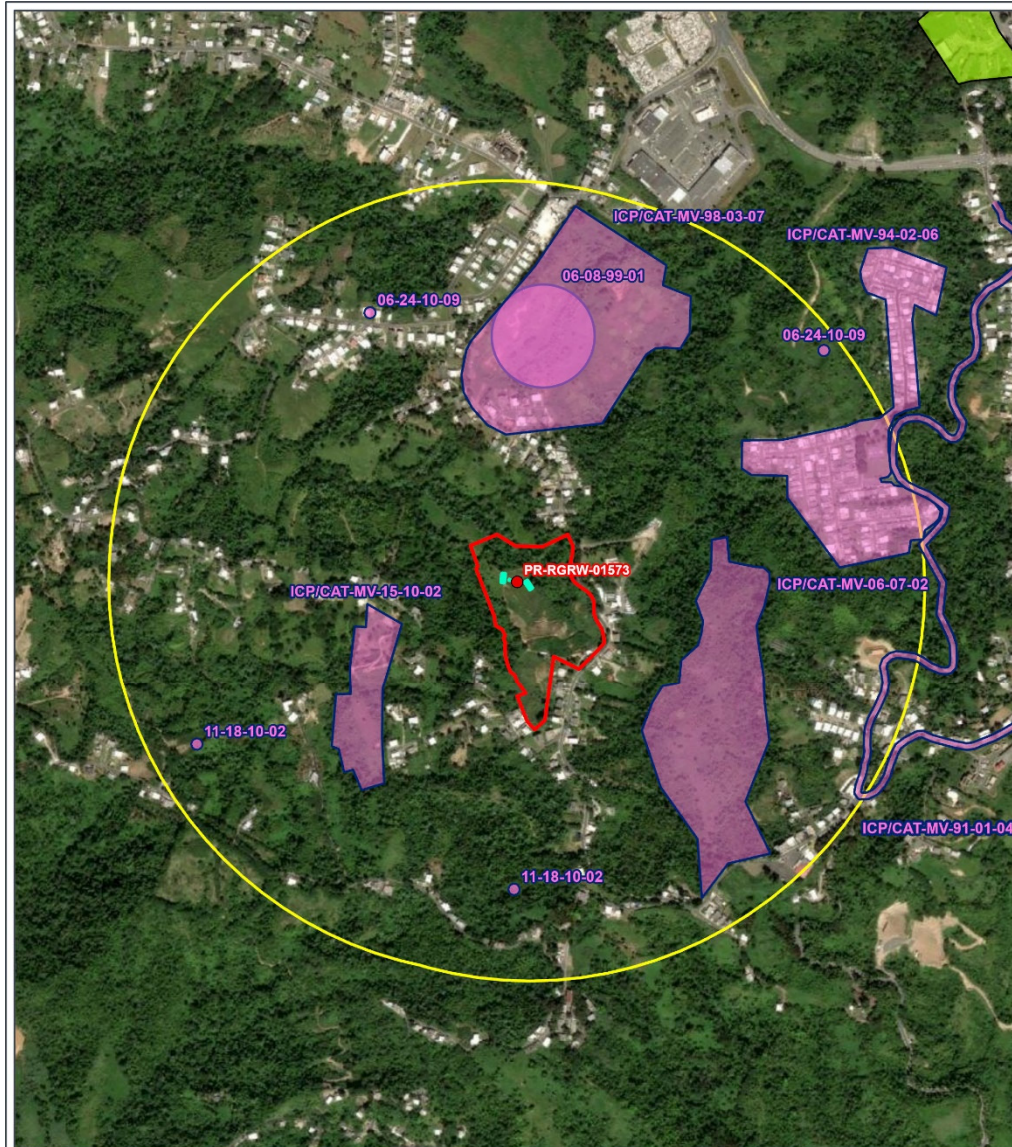


Applicant: Gabriel A. Delgado Rosado

Case ID: PR-RGRW-01573

City: Morovis

### Project (Parcel) Location with Previous Investigations - Aerial Map



REGROW PROGRAM

#### Previous Investigation Map

Applicant ID: PR-RGRW-01573



- Site
- ▭ Site Parcel
- ▭ Project Footprint (Options)
- ▭ Buffer (0.5-mile)
- ▭ Previously Recorded Survey
- ▭ MIPR Arqueologia
- ▭ Traditional Urban Centers

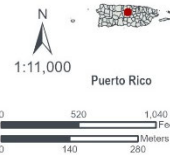
Carr: 617 km 2.2 hm 3  
Morovis, Puerto Rico 00687

Parcel ID: 138-000-007-48-000

Parcel Center:  
66.415882°W 18.312152°N

Base Map: ESRI ArcGIS Online,  
accessed March 2023  
Updated: 3/20/2023

Layout: Previous Investigation  
App: 72428\_ReGrowTier2Maps



Applicant: Gabriel A. Delgado Rosado

Case ID: PR-RGRW-01573

City: Morovis

**Project (Parcel) Location with Previously Recorded Cultural Resources  
USGS Topographic Map**



<p>REGROW PROGRAM</p> <p><b>Previously Recorded Cultural Resources Map</b></p> <p>Applicant ID: PR-RGRW-01573</p> 	<ul style="list-style-type: none"> <li><span style="color: red;">●</span> Site</li> <li><span style="border: 1px solid red; display: inline-block; width: 10px; height: 10px;"></span> Site Parcel</li> <li><span style="border-bottom: 2px dashed blue; width: 20px; display: inline-block;"></span> Buffer (0.5-mile)</li> <li><span style="border: 1px solid yellow; display: inline-block; width: 10px; height: 10px;"></span> Archaeological Site</li> <li><span style="border: 1px solid orange; display: inline-block; width: 10px; height: 10px;"></span> Historical Place</li> <li><span style="color: orange;">★</span> Historic Area Point</li> <li><span style="border: 1px solid orange; display: inline-block; width: 10px; height: 10px;"></span> JP Historical Sites</li> <li><span style="color: orange;">●</span> National Register of Historic Places</li> <li><span style="color: blue;">●</span> National Historic Landmark</li> <li><span style="border: 1px solid green; display: inline-block; width: 10px; height: 10px;"></span> National Register of Historic Places</li> <li><span style="border: 1px solid pink; display: inline-block; width: 10px; height: 10px;"></span> Historic Community</li> <li><span style="border: 1px solid purple; display: inline-block; width: 10px; height: 10px;"></span> Historic District</li> <li><span style="border: 1px solid brown; display: inline-block; width: 10px; height: 10px;"></span> Arroyo Historic Zone</li> <li><span style="border: 1px solid green; display: inline-block; width: 10px; height: 10px;"></span> Caguas Historic Zone</li> <li><span style="border: 1px solid purple; display: inline-block; width: 10px; height: 10px;"></span> Coamo Historic Zone</li> <li><span style="border: 1px solid blue; display: inline-block; width: 10px; height: 10px;"></span> Guayama Historic Zone</li> <li><span style="border: 1px solid brown; display: inline-block; width: 10px; height: 10px;"></span> Manatí Historic Zone</li> <li><span style="border: 1px solid blue; display: inline-block; width: 10px; height: 10px;"></span> Miramar Historic Zone</li> <li><span style="border: 1px solid pink; display: inline-block; width: 10px; height: 10px;"></span> Ponce Historic Zone</li> <li><span style="border: 1px solid green; display: inline-block; width: 10px; height: 10px;"></span> San German Historic Zone</li> <li><span style="border: 1px solid brown; display: inline-block; width: 10px; height: 10px;"></span> San Juan Historic Zone</li> <li><span style="border: 1px solid green; display: inline-block; width: 10px; height: 10px;"></span> Vega Baja Historic Zone</li> <li><span style="border: 1px solid green; display: inline-block; width: 10px; height: 10px;"></span> Traditional Urban Centers</li> </ul>	<p>Carr 617 km 2.2 hm 3 Morovis, Puerto Rico 00687</p> <p>Parcel ID: 138-000-007-48-000</p> <p>Parcel Center: 66.415882°W 18.312152°N</p> <p>Base Map: ESRI ArcGIS Online, accessed March 2023 Updated: 3/20/2023</p> <p>Layout: Cultural Resources Apr. 7/24/2023_ReGrowTier2Maps</p>	 <p>1:12,000</p> <p>Puerto Rico</p> <p>0 580 1,120 Feet 0 160 320 Meters</p>
---	--	--	---

Applicant: Gabriel A. Delgado Rosado

Case ID: PR-RGRW-01573

City: Morovis

### Photograph Key



**Applicant:** Gabriel A. Delgado Rosado

**Case ID:** PR-RGRW-01573

**City:** Morovis



**Photo #: 001**

**Description (include direction):** Option 1 Greenhouse location from northwest corner; view to Southeast. Existing greenhouse at right.

**Date:** 03/10/23



**Photo #:002**

**Description (include direction):** Option 1 Greenhouse location from southeast corner and possible cistern location; ca. 1980 corral fencing showing in center; picture view to Southwest

**Date:** 3/10/23

Applicant: Gabriel A. Delgado Rosado

Case ID: PR-RGRW-01573

City: Morovis



Photo #:003

Description (include direction): Greenhouse Option 2 overview; view to the southeast

Date: 3/10/23



Photo #:004

Description (include direction): Circa 2000 small corral building south of both greenhouse options; view to the southwest.

Date:3/10/23

**PUERTO RICO 2017 DISASTER RECOVERY, CDBG-DR PROGRAM**

**REGROW PUERTO RICO PROGRAM**

**Section 106 NHPA Effect Determination**



**Applicant:** Gabriel A. Delgado Rosado

**Case ID:** PR-RGRW-01573

**City:** Morovis



**Photo #:**005

**Description (include direction):** New house under construction on property. View to the south.

**Date:**3/10/23





October 20, 2022

**Arch. Carlos A. Rubio Cancela**

Executive Director

State Historic Preservation Officer

Cuartel de Ballajá Bldg.

San Juan, Puerto Rico

**Re: Authorization to Submit Documents**

Dear Arch. Rubio Cancela:

The U.S. Department of Housing (HUD) approved the allocations of Community Development Block Grant (CDBG-DR) funds on February 9, 2018. It also approved the allocation of Community Development Block Grant Mitigation (CDBG-MIT) funds on January 27, 2020. The purpose of these allocations is to address unsatisfied needs as a result of Hurricanes Irma and Maria in September 2017; and to carry out strategic and high-impact activities to mitigate disaster risks and reduce future losses.

To comply with the environmental requirements established by HUD, the Department of Housing of Puerto Rico (PRDOH) contracted Horne Federal LLC to provide environmental registry review services, among others, that will support the objectives of the agenda for both CDBG-DR and CDBG -MIT Programs.

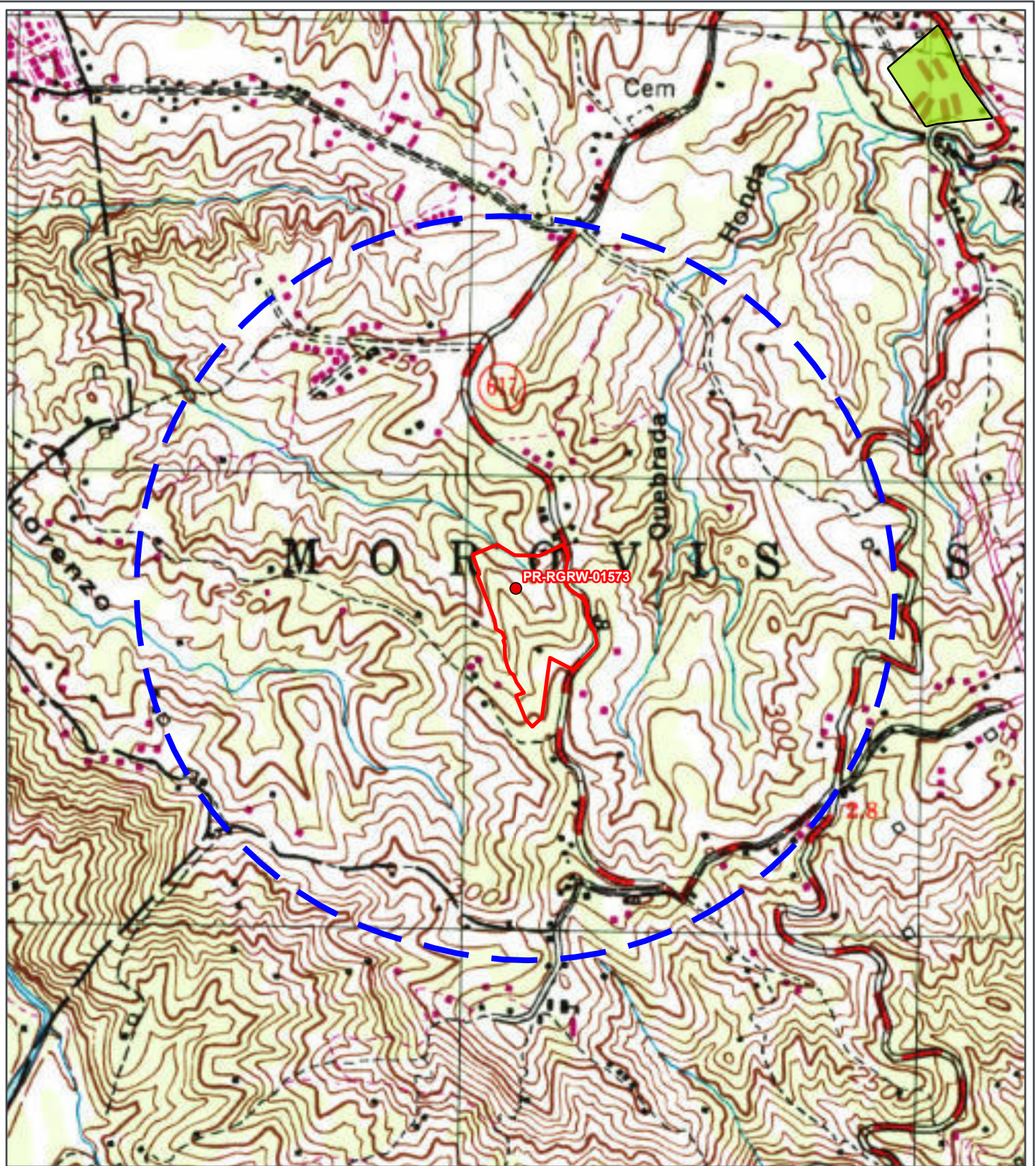
In line to expedite the processes, Horne Federal LLC, is authorized to submit to the State Historic Preservation Officer, documentation of projects related to both the CDBG-DR and CDBG-MIT on behalf of PRDOH.

Cordially,

Juan C. Pérez Bofill, P.E. M.Eng

Director of Disaster Recovery

CDBG DR-MIT



REGROW PROGRAM

**Figure B 11-1:  
Previously Recorded  
Cultural Resources  
Map**

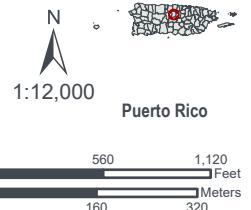
Applicant ID: PR-RGRW-01573

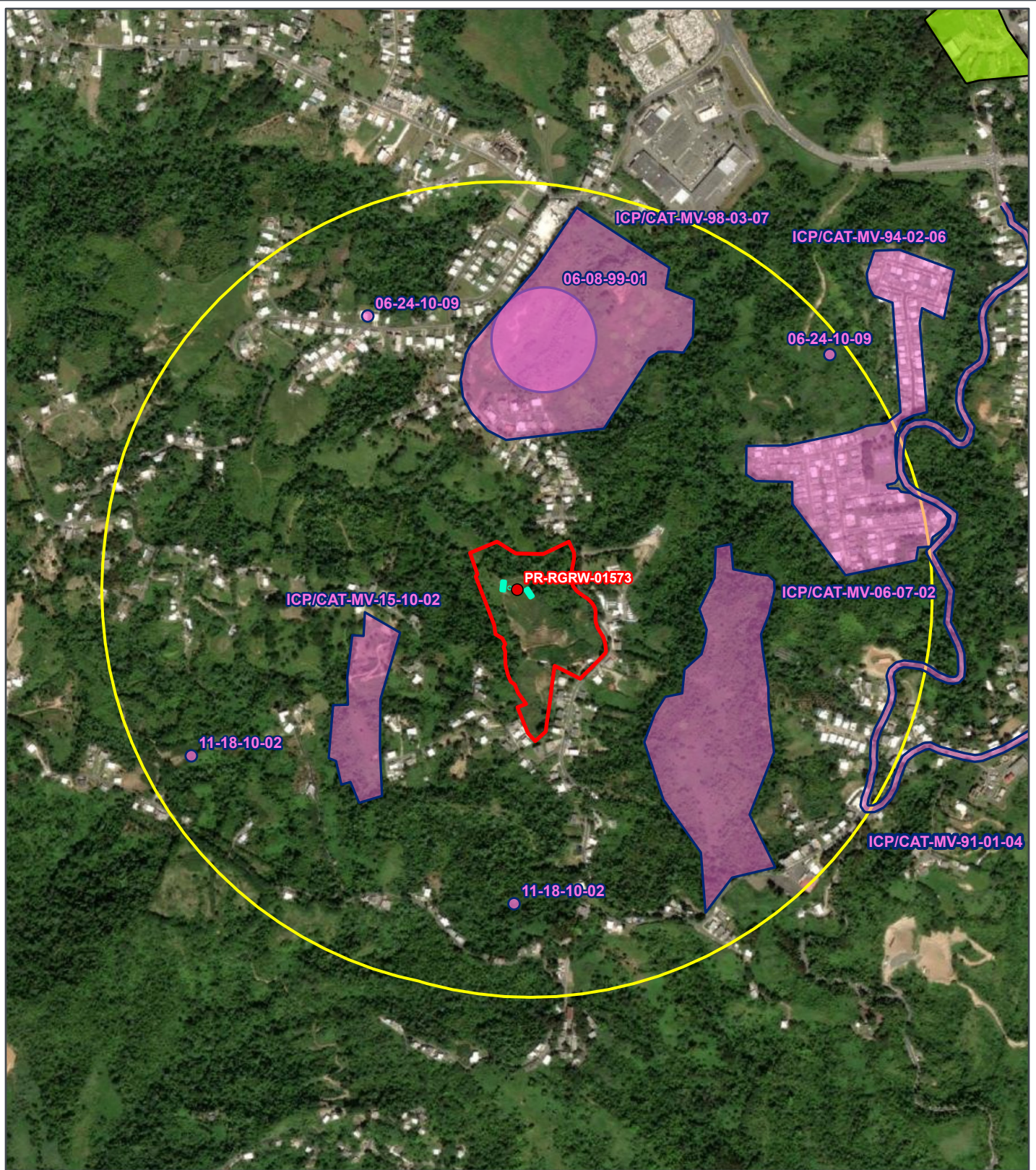


- |                       |  |                             |
|-----------------------|--|-----------------------------|
| ● Site                | ● National Historic Landmark           | ■ Manati Historic Zone      |
| ▭ Site Parcel         | ■ National Register of Historic Places | ■ Miramar Historic Zone     |
| ▭ Buffer (0.5-mile)   | ▲ Archaeological Site                  | ■ Ponce Historic Zone       |
| ▲ Historical Place    | ★ Historic Area Point                  | ■ San German Historic Zone  |
| ★ JP Historical Sites | ● National Register of Historic Places | ■ San Juan Historic Zone    |
|                       |  | ■ Vega Baja Historic Zone   |
|                       |  | ■ Coamo Historic Zone       |
|                       |  | ■ Guayama Historic Zone     |
|                       |  | ■ Traditional Urban Centers |

Carr 617 km 2.2 hm 3  
Morovis, Puerto Rico 00687  
Parcel ID: 138-000-007-48-000  
Parcel Center:  
66.415882°W 18.312152°N

Data Source: [https://mapservices.nps.gov/arcgis/rest/services/cultural\\_resources/nrhp\\_locations/MapServer](https://mapservices.nps.gov/arcgis/rest/services/cultural_resources/nrhp_locations/MapServer)  
[https://sigejp.pr.gov/server/rest/services/JP\\_Reglamentario/Base Map: ESRI ArcGIS Online](https://sigejp.pr.gov/server/rest/services/JP_Reglamentario/Base%20Map/ESRI/ArcGIS/Online), accessed May 2023  
Updated: 5/26/2023  
Layout: Cultural Resources





REGROW PROGRAM

**Previous Investigation Map**

Applicant ID: PR-RGRW-01573

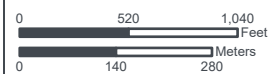


- Site
- Site Parcel
- Project Footprint (Option)
- Buffer (0.5-mile)
- Previously Recorded Survey
- MIPR Arqueologia
- Traditional Urban Centers

Carr 617 km 2.2 hm 3  
Morovis, Puerto Rico 00687

Parcel ID: 138-000-007-48-000  
Parcel Center:  
66.415882°W 18.312152°N

Base Map: ESRI ArcGIS Online,  
accessed May 2023  
Updated: 5/30/2023  
Layout: Previous Investigation  
Aprx: 72428\_ReGrowTier2Maps



**Attachment 12**  
**Noise Abatement and Control Partner**  
**Worksheet**



**U.S. DEPARTMENT OF HOUSING AND URBAN DEVELOPMENT**  
WASHINGTON, DC 20410-1000

This Worksheet was designed to be used by those “Partners” (including Public Housing Authorities, consultants, contractors, and nonprofits) who assist Responsible Entities and HUD in preparing environmental reviews, but legally cannot take full responsibilities for these reviews themselves. Responsible Entities and HUD should use the RE/HUD version of the Worksheet.

## Noise (EA Level Reviews) – PARTNER

<https://www.hudexchange.info/programs/environmental-review/noise-abatement-and-control>

### 1. What activities does your project involve? Check all that apply:

- New construction for residential use

NOTE: HUD assistance to new construction projects is generally prohibited if they are located in an Unacceptable zone, and HUD discourages assistance for new construction projects in Normally Unacceptable zones. See 24 CFR 51.101(a)(3) for further details.  
→ Continue to Question 2.

- Rehabilitation of an existing residential property

NOTE: For major or substantial rehabilitation in Normally Unacceptable zones, HUD encourages mitigation to reduce levels to acceptable compliance standards. For major rehabilitation in Unacceptable zones, HUD strongly encourages mitigation to reduce levels to acceptable compliance standards. See 24 CFR 51 Subpart B for further details.  
→ Continue to Question 2.

- None of the above

→ If the RE/HUD agrees with this recommendation, the review is in compliance with this section. Continue to the Worksheet Summary below.

### 2. Complete the Preliminary Screening to identify potential noise generators in the vicinity (1000’ from a major road, 3000’ from a railroad, or 15 miles from an airport).

Indicate the findings of the Preliminary Screening below:

- There are no noise generators found within the threshold distances above.

→ If the RE/HUD agrees with this recommendation, the review is in compliance with this section. Continue to the Worksheet Summary below. Provide a map showing the location of the project relative to any noise generators.

- Noise generators were found within the threshold distances.

→ Continue to Question 3.

### 3. Complete the Noise Assessment Guidelines to quantify the noise exposure. Indicate the findings of the Noise Assessment below:

Acceptable (65 decibels or less; the ceiling may be shifted to 70 decibels in circumstances described in §24 CFR 51.105(a))

**Indicate noise level here:** [Click here to enter text.](#)

→ *If the RE/HUD agrees with this recommendation, the review is in compliance with this section. Continue to the Worksheet Summary below. Provide noise analysis, including noise level and data used to complete the analysis.*

Normally Unacceptable: (Above 65 decibels but not exceeding 75 decibels; the floor may be shifted to 70 decibels in circumstances described in 24 CFR 51.105(a))

**Indicate noise level here:** [Click here to enter text.](#)

If project is rehabilitation:

→ *Continue to Question 4. Provide noise analysis, including noise level and data used to complete the analysis.*

If project is new construction:

**Is the project in a largely undeveloped area<sup>1</sup>?**

No

Yes → ***The project requires completion of an Environmental Impact Statement (EIS) pursuant to 51.104(b)(1)(i).***

→ *Continue to Question 4. Provide noise analysis, including noise level and data used to complete the analysis.*

Unacceptable: (Above 75 decibels)

**Indicate noise level here:** [Click here to enter text.](#)

If project is rehabilitation:

*HUD strongly encourages conversion of noise-exposed sites to land uses compatible with high noise levels. Consider converting this property to a non-residential use compatible with high noise levels.*

→ *Continue to Question 4. Provide noise analysis, including noise level and data used to complete the analysis, and any other relevant information.*

If project is new construction:

***The project requires completion of an Environmental Impact Statement (EIS) pursuant to 51.104(b)(1)(i). Work with HUD or the RE to either complete an EIS or obtain a waiver signed by the appropriate authority.***

→ *Continue to Question 4.*

**4. HUD strongly encourages mitigation be used to eliminate adverse noise impacts. Work with the RE/HUD on the development of the mitigation measures that must be implemented to mitigate for the impact or effect, including the timeline for implementation.**

Mitigation as follows will be implemented:

---

<sup>1</sup> A largely undeveloped area means the area within 2 miles of the project site is less than 50 percent developed with urban uses and does not have water and sewer capacity to serve the project.

Click here to enter text.

→ *Provide drawings, specifications, and other materials as needed to describe the project's noise mitigation measures.*

*Continue to the Worksheet Summary.*

No mitigation is necessary.

**Explain why mitigation will not be made here:**

Click here to enter text.

→ *Continue to the Worksheet Summary.*

### **Worksheet Summary**

Provide a full description of your determination and a synopsis of the information that it was based on, such as:

- Map panel numbers and dates
- Names of all consulted parties and relevant consultation dates
- Names of plans or reports and relevant page numbers
- Any additional requirements specific to your program or region

**Include all documentation supporting your findings in your submission to HUD.**

The project activities are limited to the installation of a greenhouse on an existing commercial farm and do not involve residential new construction or rehabilitation. Project activities are therefore an exempt activity. No further evaluation is required.

**Attachment 13**  
**Sole Source Aquifer Partner Worksheet**





**U.S. DEPARTMENT OF HOUSING AND URBAN DEVELOPMENT**  
WASHINGTON, DC 20410-1000

This Worksheet was designed to be used by those “Partners” (including Public Housing Authorities, consultants, contractors, and nonprofits) who assist Responsible Entities and HUD in preparing environmental reviews, but legally cannot take full responsibilities for these reviews themselves. Responsible Entities and HUD should use the RE/HUD version of the Worksheet.

## **Sole Source Aquifers (CEST and EA) - PARTNER**

<https://www.hudexchange.info/environmental-review/sole-source-aquifers>

### **1. Is the project located on a sole source aquifer (SSA)<sup>1</sup>?**

No → *If the RE/HUD agrees with this recommendation, the review is in compliance with this section. Continue to the Worksheet Summary below. Provide documentation used to make your determination, such as a map of your project or jurisdiction in relation to the nearest SSA.*

Yes → *Continue to Question 2.*

### **2. Does the project consist solely of acquisition, leasing, or rehabilitation of an existing building(s)?**

Yes → *The review is in compliance with this section. Continue to the Worksheet Summary below.*

No → *Continue to Question 3.*

### **3. Does your region have a memorandum of understanding (MOU) or other working agreement with EPA for HUD projects impacting a sole source aquifer?**

Contact your Field or Regional Environmental Officer or visit the HUD webpage at the link above to determine if an MOU or agreement exists in your area.

Yes → *Continue to Question 4.*

No → *Continue to Question 5.*

### **4. Does your MOU or working agreement exclude your project from further review?**

Yes → *If the RE/HUD agrees with this recommendation, the review is in compliance with this section. Continue to the Worksheet Summary below. Provide documentation used to make your determination and document where your project fits within the MOU or agreement.*

No → *Continue to Question 5.*

### **5. Will the proposed project contaminate the aquifer and create a significant hazard to public health?**

Consult with your Regional EPA Office. Your consultation request should include detailed information about your proposed project and its relationship to the aquifer and associated streamflow source area.

---

<sup>1</sup> A sole source aquifer is defined as an aquifer that supplies at least 50 percent of the drinking water consumed in the area overlying the aquifer. This includes streamflow source areas, which are upstream areas of losing streams that flow into the recharge area.

EPA will also want to know about water, storm water and waste water at the proposed project. Follow your MOU or working agreement or contact your Regional EPA office for specific information you may need to provide. EPA may request additional information if impacts to the aquifer are questionable after this information is submitted for review.

No → *If the RE/HUD agrees with this recommendation, the review is in compliance with this section. Continue to the Worksheet Summary below. Provide your correspondence with the EPA and all documents used to make your determination.*

Yes → *The RE/HUD will work with EPA to develop mitigation measures. If mitigation measures are approved, attach correspondence with EPA and include the mitigation measures in your environmental review documents and project contracts. If EPA determines that the project continues to pose a significant risk to the aquifer, federal financial assistance must be denied. Continue to Question 6.*

### **Worksheet Summary**

Provide a full description of your determination and a synopsis of the information that it was based on, such as:

- Map panel numbers and dates
- Names of all consulted parties and relevant consultation dates
- Names of plans or reports and relevant page numbers
- Any additional requirements specific to your program or region

### **Include all documentation supporting your findings in your submission to HUD.**

According to the US Environmental Protection Agency's Source Water Protection, Sole Source Aquifer Protection Program, there are no sole source aquifers in Puerto Rico.

**Attachment 14**  
**Wetlands Protection Partner Worksheet and**  
**Wetland Map**



**U.S. DEPARTMENT OF HOUSING AND URBAN DEVELOPMENT**  
WASHINGTON, DC 20410-1000

This Worksheet was designed to be used by those “Partners” (including Public Housing Authorities, consultants, contractors, and nonprofits) who assist Responsible Entities and HUD in preparing environmental reviews, but legally cannot take full responsibilities for these reviews themselves. Responsible Entities and HUD should use the RE/HUD version of the Worksheet.

## Wetlands (CEST and EA) – Partner

<https://www.hudexchange.info/environmental-review/wetlands-protection>

**1. Does this project involve new construction as defined in Executive Order 11990, expansion of a building’s footprint, or ground disturbance?**

The term "new construction" includes draining, dredging, channelizing, filling, diking, impounding, and related activities and construction of any any structures or facilities.

No → *If the RE/HUD agrees with this recommendation, the review is in compliance with this section. Continue to the Worksheet Summary below.*

Yes → *Continue to Question 2.*

**2. Will the new construction or other ground disturbance impact a wetland as defined in E.O. 11990?**

No → *If the RE/HUD agrees with this recommendation, the review is in compliance with this section. Continue to the Worksheet Summary below. Provide a map or any other relevant documentation to explain your determination.*

Yes → *Work with HUD or the RE to assist with the 8-Step Process.* *Continue to Question 3.*

**3. Does Section 55.12 state that the 8-Step Process is not required?**

No, the 8-Step Process applies.

This project will require mitigation and may require elevating structure or structures. See the link to the HUD Exchange above for information on HUD’s elevation requirements.

→ *Work with the RE/HUD to assist with the 8-Step Process. Continue to Worksheet Summary.*

5-Step Process is applicable per 55.12(a).

**Provide the applicable citation at 24 CFR 55.12(a) here.**

[Click here to enter text.](#)

→ *Work with the RE/HUD to assist with the 5-Step Process. This project may require mitigation or alternations. Continue to Worksheet Summary.*

8-Step Process is inapplicable per 55.12(b).

**Provide the applicable citation at 24 CFR 55.12(b) here.**

[Click here to enter text.](#)

→ If the RE/HUD agrees with this recommendation, the review is in compliance with this section. Continue to Worksheet Summary.

8-Step Process is inapplicable per 55.12(c).

**Provide the applicable citation at 24 CFR 55.12(c) here.**

[Click here to enter text.](#)

→ If the RE/HUD agrees with this recommendation, the review is in compliance with this section. Continue to Worksheet Summary.

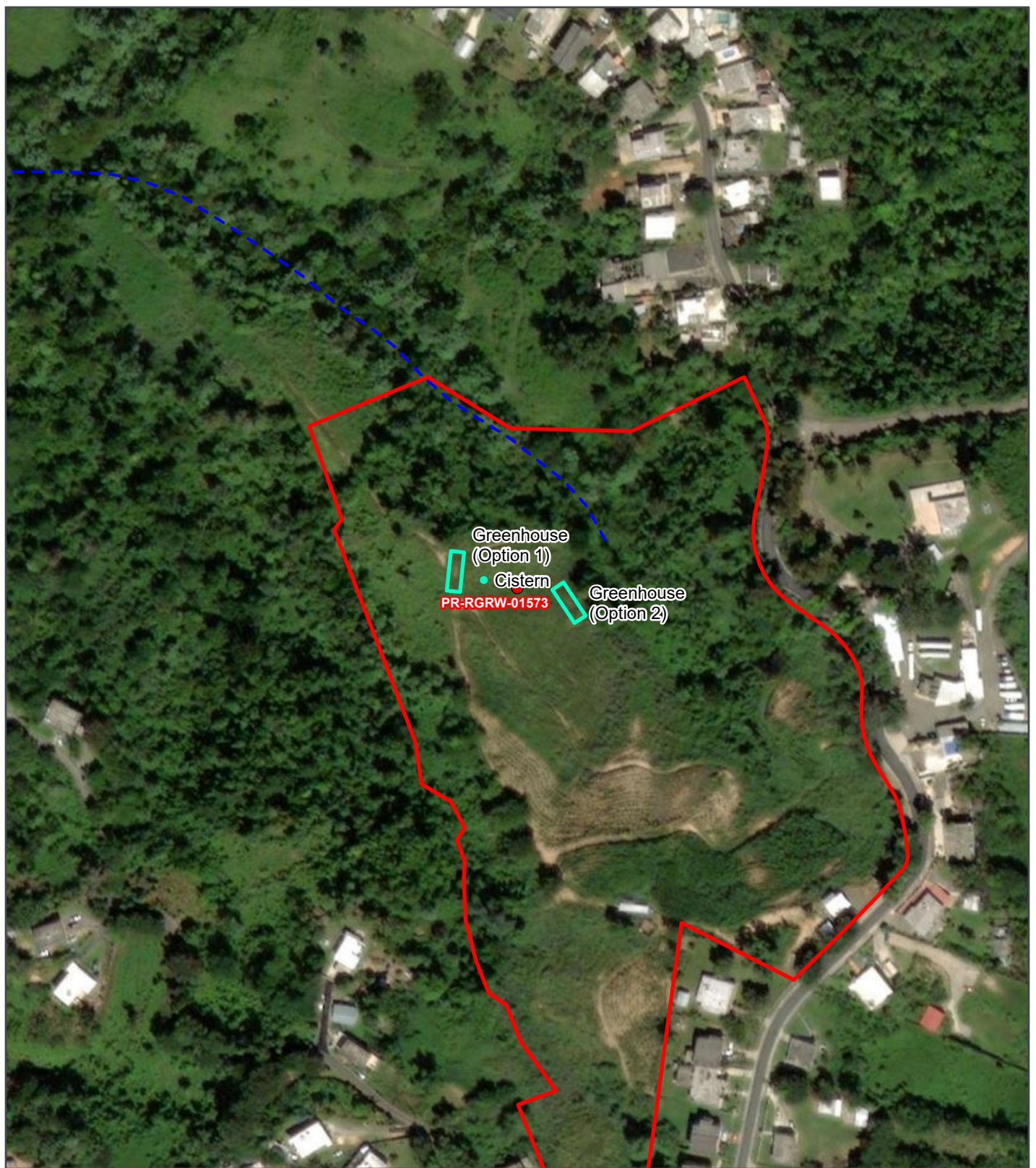
### **Worksheet Summary**

Provide a full description of your determination and a synopsis of the information that it was based on, such as:

- Map panel numbers and dates
- Names of all consulted parties and relevant consultation dates
- Names of plans or reports and relevant page numbers
- Any additional requirements specific to your program or region

### **Include all documentation supporting your findings in your submission to HUD.**

The project site was reviewed for wetlands using the USFWS Wetland Inventory Mapper and a visual confirmation during the field site inspection. No wetlands were identified within the project locations. A riverine wetland (shown as an NHD stream on Figure B 14-1) is located approximately 90 feet east of the Greenhouse Option 2, at its closest point, and will not be affected by project activities; therefore, an 8-step decision making process is not required. Note- the NWI online webmapper, accessed on March 31, 2023, shows this NHD stream is a riverine wetland.



REGROW PROGRAM

**Figure B 14-1:  
Wetlands Protection  
Map**

Applicant ID: PR-RGRW-01573

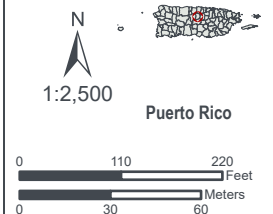


- Site
- Site Parcel
- Project Footprint (Option)
- - - NHD Stream
- Estuarine and Marine Deepwater
- Estuarine and Marine Wetland

- Freshwater Emergent Wetland
- Freshwater Forested/Shrub Wetland
- Freshwater Pond
- Lake
- Riverine

Carr 617 km 2.2 hm 3  
Morovis, Puerto Rico 00687  
Parcel ID: 138-000-007-48-000  
Parcel Center:  
66.415882°W 18.312152°N

Data Source: <https://apps.nationalmap.gov/downloader/#https://www.fws.gov/program/national-wetlands-inventory/data-download>  
Base Map: *ESRI ArcGIS Online*, accessed May 2023  
Updated: 5/30/2023  
Layout: Wetlands Protection



## **Attachment 15**

# **Wild and Scenic Rivers Partner Worksheet and Wild and Scenic Rivers Map**

## Wild and Scenic Rivers (CEST and EA) – PARTNER

This Worksheet was designed to be used by those “Partners” (including Public Housing Authorities, consultants, contractors, and nonprofits) who assist Responsible Entities and HUD in preparing environmental reviews, but legally cannot take full responsibilities for these reviews themselves. Responsible Entities and HUD should use the RE/HUD version of the Worksheet.

General requirements	Legislation	Regulation
The Wild and Scenic Rivers Act provides federal protection for certain free-flowing, wild, scenic and recreational rivers designated as components or potential components of the National Wild and Scenic Rivers System (NWSRS) from the effects of construction or development.	The Wild and Scenic Rivers Act (16 U.S.C. 1271-1287), particularly section 7(b) and (c) (16 U.S.C. 1278(b) and (c))	36 CFR Part 297
References		
<a href="https://www.hudexchange.info/environmental-review/wild-and-scenic-rivers">https://www.hudexchange.info/environmental-review/wild-and-scenic-rivers</a>		

### 1. Is your project within proximity of a NWSRS river as defined below?

**Wild & Scenic Rivers:** These rivers or river segments have been designated by Congress or by states (with the concurrence of the Secretary of the Interior) as wild, scenic, or recreational

Study Rivers: These rivers or river segments are being studied as a potential component of the Wild & Scenic River system.

Nationwide Rivers Inventory (NRI): The National Park Service has compiled and maintains the NRI, a register of river segments that potentially qualify as national wild, scenic, or recreational river areas

No

→ *If the RE/HUD agrees with this recommendation, the review is in compliance with this section. Provide documentation used to make your determination, such as a map identifying the project site and its surrounding area or a list of rivers in your region in the Screen Summary at the conclusion of this screen.*

Yes, the project is in proximity of a Nationwide Rivers Inventory (NRI) River.

→ *Continue to Question 2.*



**2. Could the project do *any* of the following?**

- Have a direct and adverse effect within Wild and Scenic River Boundaries,
- Invade the area or unreasonably diminish the river outside Wild and Scenic River Boundaries, or
- Have an adverse effect on the natural, cultural, and/or recreational values of a NRI segment.

Consultation with the appropriate federal/state/local/tribal Managing Agency(s) is required, pursuant to Section 7 of the Act, to determine if the proposed project may have an adverse effect on a Wild & Scenic River or a Study River and, if so, to determine the appropriate avoidance or mitigation measures.

Note: Concurrence may be assumed if the Managing Agency does not respond within 30 days; however, you are still obligated to avoid or mitigate adverse effects on the rivers identified in the NWSRS

- No, the Managing Agency has concurred that the proposed project will not alter, directly, or indirectly, any of the characteristics that qualifies or potentially qualifies the river for inclusion in the NWSRS.

→ *If the RE/HUD agrees with this recommendation, the review is in compliance with this section. Provide documentation of the consultation (including the Managing Agency's concurrence) and any other documentation used to make your determination.*

- Yes, the Managing Agency was consulted and the proposed project may alter, directly, or indirectly, any of the characteristics that qualifies or potentially qualifies the river for inclusion in the NWSRS.

→ *The RE/HUD must work with the Managing Agency to identify mitigation measures to mitigate the impact or effect of the project on the river.*

## **Worksheet Summary**

### **Compliance Determination**

Provide a clear description of your determination and a synopsis of the information that it was based on, such as:

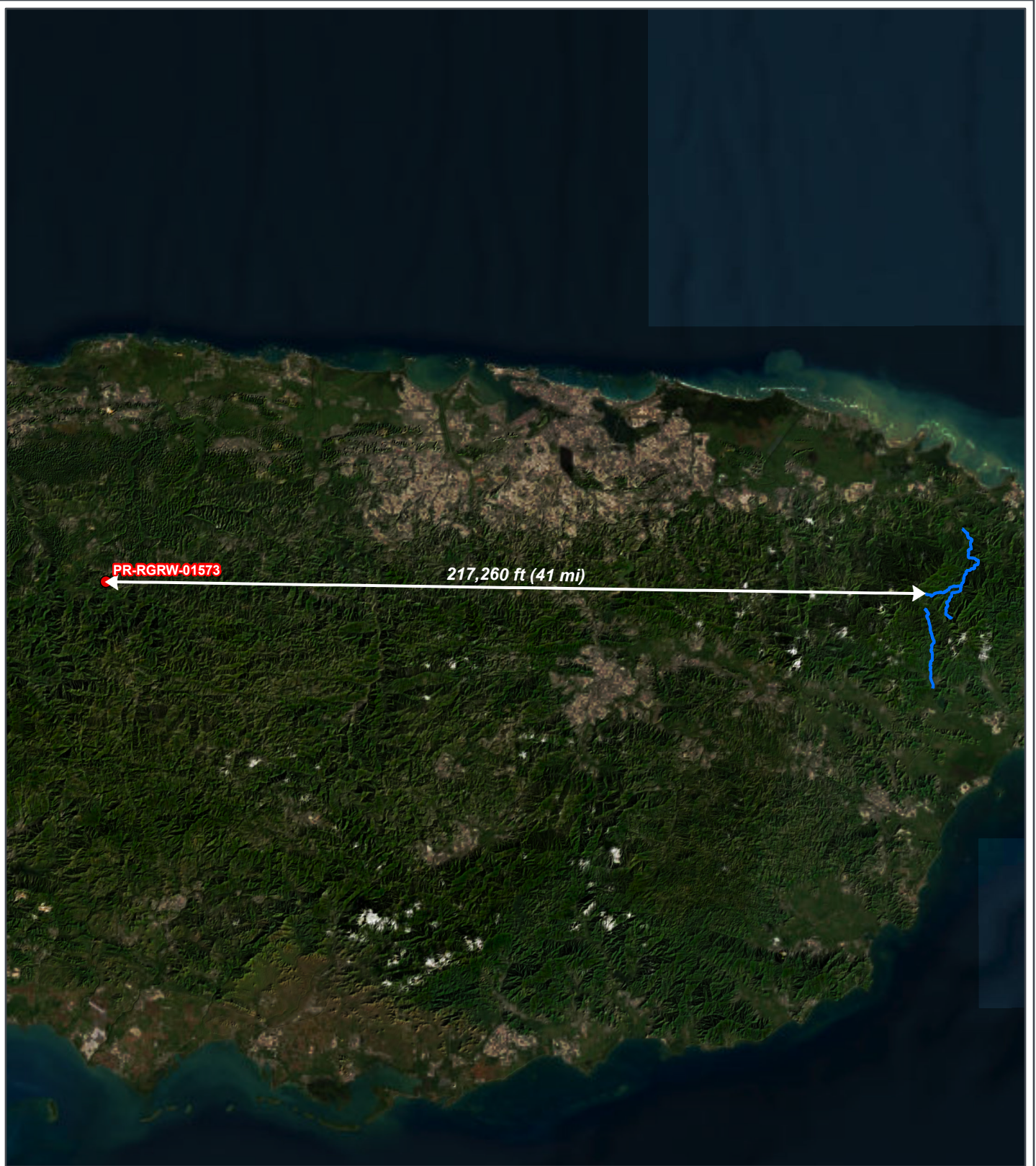
- Map panel numbers and dates
- Names of all consulted parties and relevant consultation dates
- Names of plans or reports and relevant page numbers
- Any additional requirements specific to your region

A review of the USFWS National Wild and Scenic River mapper identified no Wild and Scenic Rivers or National Rivers Inventory (NRI) rivers present in Morovis Municipio. The closest Wild and Scenic River segment is 41 miles east of the project site.

**Are formal compliance steps or mitigation required?**

Yes

No



REGROW PROGRAM

**Figure B 15-1:  
National Wild and  
Scenic River Map**

Applicant ID: PR-RGRW-01573



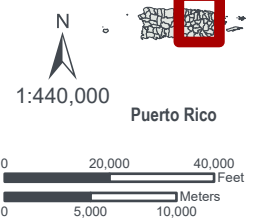
- Site
- National Wild and Scenic River

Carr 617 km 2.2 hm 3  
Morovis, Puerto Rico 00687

Parcel ID: 138-000-007-48-000  
Parcel Center:  
66.102723°W 18.307484°N

Data Source: [https://apps.fs.usda.gov/arcx/rest/services/EDW/EDW\\_WildScenicRiverSegments\\_01/MapServer](https://apps.fs.usda.gov/arcx/rest/services/EDW/EDW_WildScenicRiverSegments_01/MapServer)

Base Map: ESRI ArcGIS Online,  
accessed May 2023  
Updated: 5/30/2023  
Layout: Wild and Scenic Rivers



**Attachment 16**  
**Environmental Justice Partner Worksheet**  
**and EJScreen Report**



U.S. DEPARTMENT OF HOUSING AND URBAN DEVELOPMENT  
WASHINGTON, DC 20410-1000

This Worksheet was designed to be used by those “Partners” (including Public Housing Authorities, consultants, contractors, and nonprofits) who assist Responsible Entities and HUD in preparing environmental reviews, but legally cannot take full responsibilities for these reviews themselves. Responsible Entities and HUD should use the RE/HUD version of the Worksheet.

## Environmental Justice (CEST and EA) – PARTNER

<https://www.hudexchange.info/environmental-review/environmental-justice>

**HUD strongly encourages starting the Environmental Justice analysis only after all other laws and authorities, including Environmental Assessment factors if necessary, have been completed.**

**1. Were any adverse environmental impacts identified in any other compliance review portion of this project’s total environmental review?**

Yes → *Continue to Question 2.*

No → *If the RE/HUD agrees with this recommendation, the review is in compliance with this section. Continue to the Worksheet Summary below.*

**2. Were these adverse environmental impacts disproportionately high for low-income and/or minority communities?**

Yes

**Explain:**

Click here to enter text.

→ *The RE/HUD must work with the affected low-income or minority community to decide what mitigation actions, if any, will be taken. Provide any supporting documentation.*

No

**Explain:**

Click here to enter text.

→ *If the RE/HUD agrees with this recommendation, the review is in compliance with this section. Continue to the Worksheet Summary below.*

### **Worksheet Summary**

Provide a full description of your determination and a synopsis of the information that it was based on, such as:

- Map panel numbers and dates
- Names of all consulted parties and relevant consultation dates
- Names of plans or reports and relevant page numbers
- Any additional requirements specific to your program or region

**Include all documentation supporting your findings in your submission to HUD.**

The ReGrow Program intends to strengthen and alleviate negative economic impacts to the agricultural industry in Puerto Rico. The project's direct and indirect impacts are limited to a single land parcel. The project will benefit the farm owner by improving agricultural use and production. The project would not facilitate development which would negatively affect human health or result in disproportionate adverse environmental impacts to low-income or minority populations.

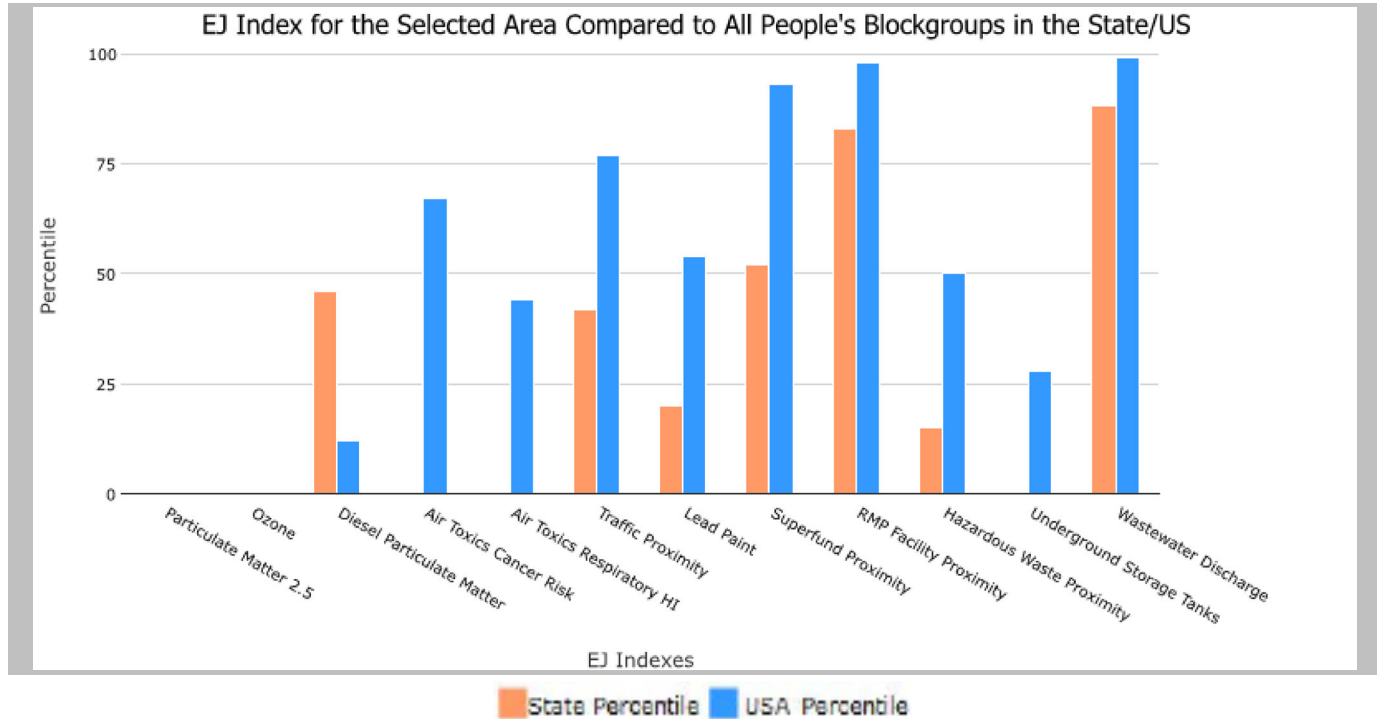
1 mile Ring Centered at 18.310840,-66.415358, PUERTO RICO, EPA Region 2

Approximate Population: 4,164

Input Area (sq. miles): 3.14

Selected Variables	State Percentile	USA Percentile
<b>Environmental Justice Indexes</b>		
Particulate Matter 2.5 EJ index	N/A	N/A
Ozone EJ index	N/A	N/A
Diesel Particulate Matter EJ index*	46	12
Air Toxics Cancer Risk EJ index*	0	67
Air Toxics Respiratory HI EJ index*	0	44
Traffic Proximity EJ index	42	77
Lead Paint EJ index	20	54
Superfund Proximity EJ index	52	93
RMP Facility Proximity EJ index	83	98
Hazardous Waste Proximity EJ index	15	50
Underground Storage Tanks EJ index	0	28
Wastewater Discharge EJ index	88	99

EJ Indexes - The EJ indexes help users screen for potential EJ concerns. To do this, the EJ index combines data on low income and people of color populations with a single environmental indicator.

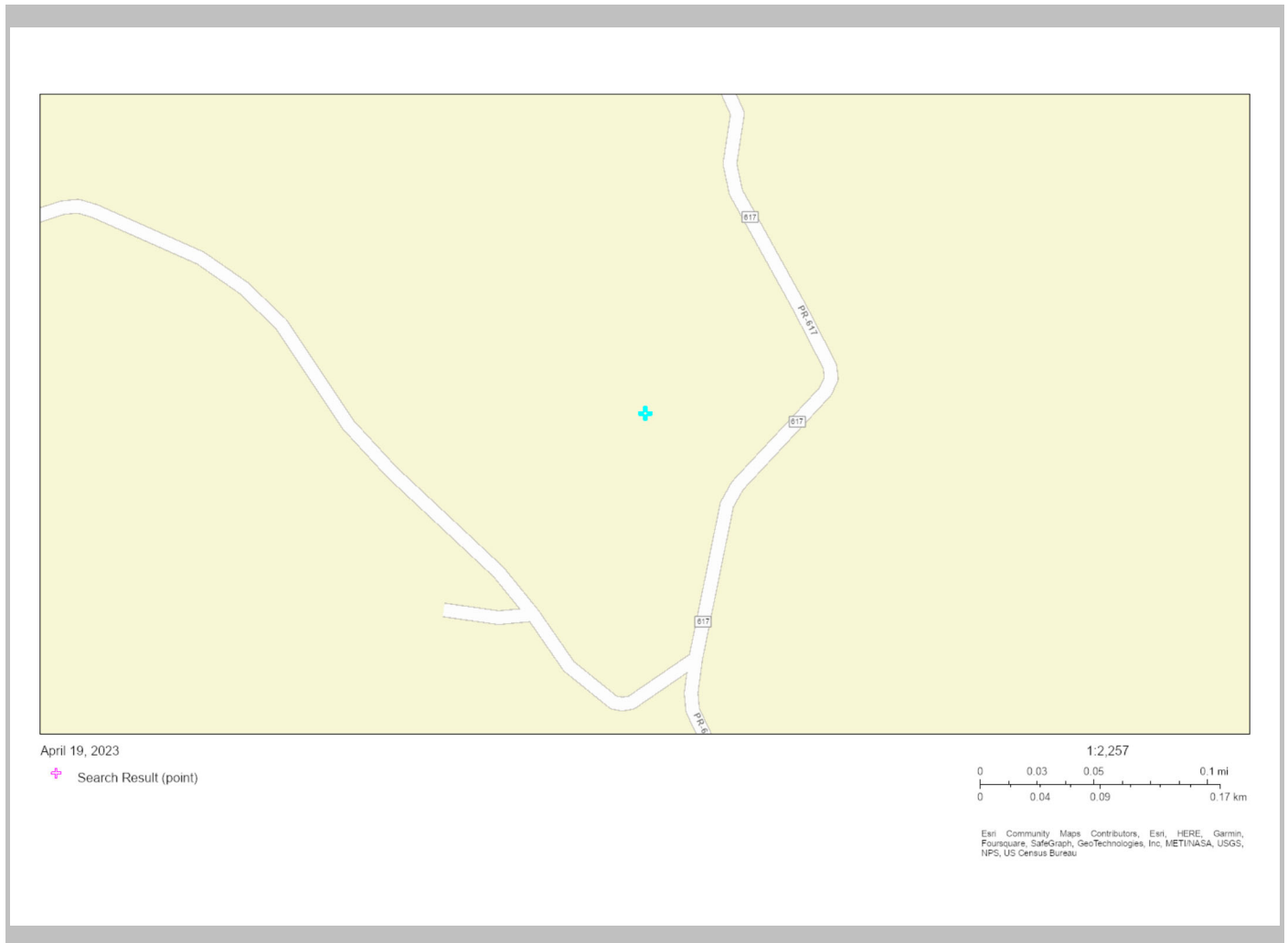


\*Diesel particular matter, air toxics cancer risk, and air toxics respiratory hazard index are from the EPA's Air Toxics Data Update, which is the Agency's ongoing, comprehensive evaluation of air toxics in the United States. This effort aims to prioritize air toxics, emission sources, and locations of interest for further study. It is important to remember that the air toxics data presented here provide broad estimates of health risks over geographic areas of the country, not definitive risks to specific individuals or locations. Cancer risks and hazard indices from the Air Toxics Data Update are reported to one significant figure and any additional significant figures here are due to rounding. More information on the Air Toxics Data Update can be found at: <https://www.epa.gov/haps/air-toxics-data-update>.

1 mile Ring Centered at 18.310840,-66.415358, PUERTO RICO, EPA Region 2

Approximate Population: 4,164

Input Area (sq. miles): 3.14



Sites reporting to EPA	
Superfund NPL	0
Hazardous Waste Treatment, Storage, and Disposal Facilities (TSDF)	0



## EJScreen Report (Version 2.11)



1 mile Ring Centered at 18.310840,-66.415358, PUERTO RICO, EPA Region 2

Approximate Population: 4,164

Input Area (sq. miles): 3.14

Selected Variables	Value	State Avg.	%ile in State	USA Avg.	%ile in USA
<b>Pollution and Sources</b>					
Particulate Matter 2.5 ( $\mu\text{g}/\text{m}^3$ )	N/A	N/A	N/A	8.67	N/A
Ozone (ppb)	N/A	N/A	N/A	42.5	N/A
Diesel Particulate Matter* ( $\mu\text{g}/\text{m}^3$ )	0.0382	0.108	44	0.294	<50th
Air Toxics Cancer Risk* (lifetime risk per million)	20	23	0	28	<50th
Air Toxics Respiratory HI*	0.2	0.21	0	0.36	<50th
Traffic Proximity (daily traffic count/distance to road)	140	610	43	760	40
Lead Paint (% Pre-1960 Housing)	0.029	0.14	24	0.27	21
Superfund Proximity (site count/km distance)	0.079	0.15	49	0.13	59
RMP Facility Proximity (facility count/km distance)	1.4	0.97	79	0.77	83
Hazardous Waste Proximity (facility count/km distance)	0.074	0.9	14	2.2	14
Underground Storage Tanks (count/km <sup>2</sup> )	0.16	1.7	0	3.9	30
Wastewater Discharge (toxicity-weighted concentration/m distance)	0.25	5	85	12	88
<b>Socioeconomic Indicators</b>					
Demographic Index	90%	83%	59	35%	98
Supplemental Demographic Index	51%	44%	68	15%	99
People of Color	99%	99%	28	40%	96
Low Income	80%	72%	59	30%	97
Unemployment Rate	21%	15%	71	5%	96
Limited English Speaking Households	77%	68%	68	5%	99
Less Than High School Education	28%	22%	68	12%	90
Under Age 5	4%	4%	60	6%	40
Over Age 64	17%	20%	34	16%	57
Low Life Expectancy	N/A	99900%	N/A	20%	N/A

EJScreen is a screening tool for pre-decisional use only. It can help identify areas that may warrant additional consideration, analysis, or outreach. It does not provide a basis for decision-making, but it may help identify potential areas of EJ concern. Users should keep in mind that screening tools are subject to substantial uncertainty in their demographic and environmental data, particularly when looking at small geographic areas. Important caveats and uncertainties apply to this screening-level information, so it is essential to understand the limitations on appropriate interpretations and applications of these indicators. Please see EJScreen documentation for discussion of these issues before using reports. This screening tool does not provide data on every environmental impact and demographic factor that may be relevant to a particular location. EJScreen outputs should be supplemented with additional information and local knowledge before taking any action to address potential EJ concerns.

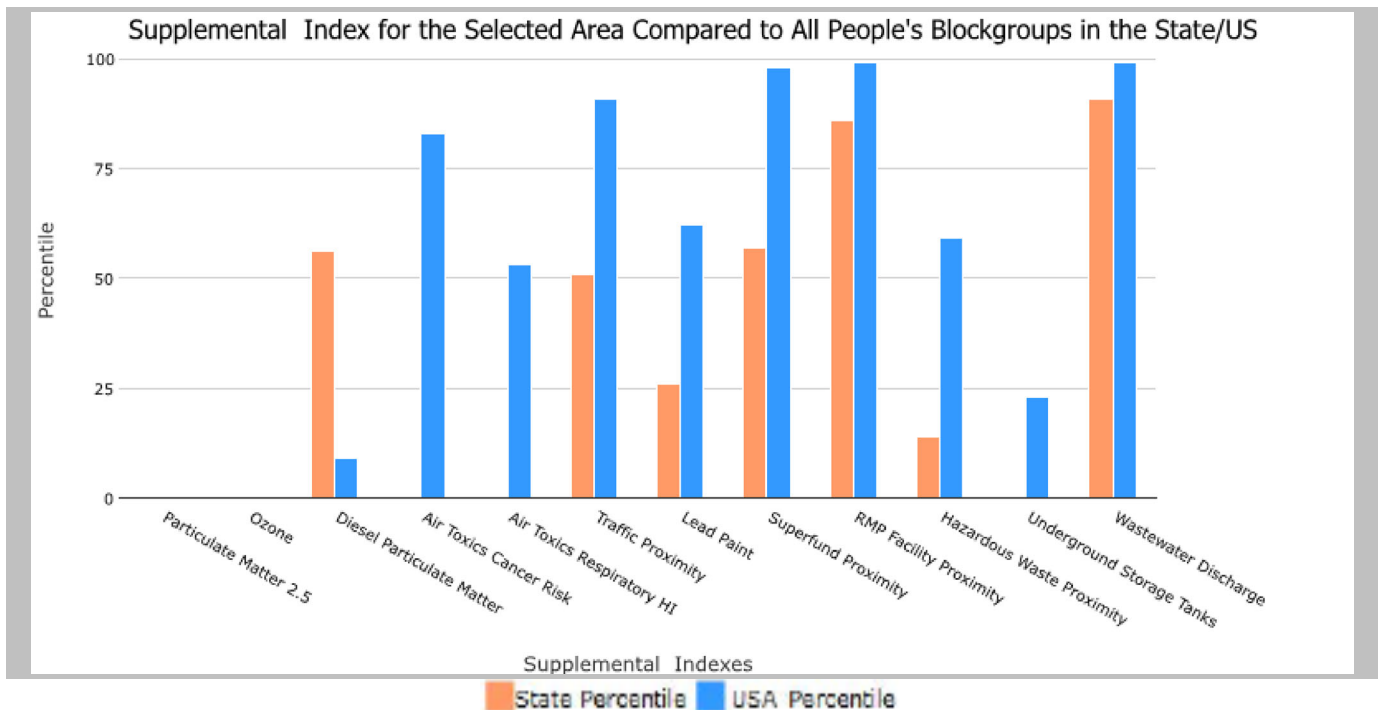
1 mile Ring Centered at 18.310840,-66.415358, PUERTO RICO, EPA Region 2

Approximate Population: 4,164

Input Area (sq. miles): 3.14

Selected Variables	State Percentile	USA Percentile
<b>Supplemental Indexes</b>		
Particulate Matter 2.5 Supplemental Index	N/A	N/A
Ozone Supplemental Index	N/A	N/A
Diesel Particulate Matter Supplemental Index*	56	9
Air Toxics Cancer Risk Supplemental Index*	0	83
Air Toxics Respiratory HI Supplemental Index*	0	53
Traffic Proximity Supplemental Index	51	91
Lead Paint Supplemental Index	26	62
Superfund Proximity Supplemental Index	57	98
RMP Facility Proximity Supplemental Index	86	99
Hazardous Waste Proximity Supplemental Index	14	59
Underground Storage Tanks Supplemental Index	0	23
Wastewater Discharge Supplemental Index	91	99

Supplemental Indexes - The supplemental indexes offer a different perspective on community-level vulnerability. They combine data on low-income, limited English speaking, less than high school education, unemployed, and low life expectancy populations with a single environmental indicator.



This report shows the values for environmental and demographic indicators, EJScreen indexes, and supplemental indexes. It shows environmental and demographic raw data (e.g., the estimated concentration of ozone in the air), and also shows what percentile each raw data value represents. These percentiles provide perspective on how the selected block group or buffer area compares to the entire state, EPA region, or nation. For example, if a given location is at the 95th percentile nationwide, this means that only 5 percent of the US population has a higher block group value than the average person in the location being analyzed. The years for which the data are available, and the methods used, vary across these indicators. Important caveats and uncertainties apply to this screening-level information, so it is essential to understand the limitations on appropriate interpretations and applications of these indicators. Please see EJScreen documentation for discussion of these issues before using reports. For additional information, see: [www.epa.gov/environmentaljustice](http://www.epa.gov/environmentaljustice).

**Appendix C**  
**Environmental Site Inspection Report**



**ENVIRONMENTAL FIELD ASSESSMENT FORM**  
**ReGrow**

Applicant Name: Gabriel A. Delgado Rosado	Program ID: PR-RGRW-01573
Project Coordinates: 18.310838, -66.415359	Parcel ID: 138-000-007-48-000
Parcel Address: Carr 617 km 2.2 hm 3	Municipio: Morovis
Zip Code: 00687	

Inspector Name: Delise Torres Ortiz	Inspection Date: 03/03/2023
-------------------------------------	-----------------------------

**General Site Conditions**

Was property accessible by vehicle?	Yes	Comment:
Access issues?	Yes	Comment: Dog, Locked gate
Are water wells present?	Yes	Comment:
Are creeks or ponds present?	Yes	Comment: Unknown stream
Are any potential wetlands on-site or visible on adjacent parcel?	No	Comment:

**Parcel Conditions**

**Note – for Any Yes answers specify type, contents and location**

Are commercial or industrial hazardous facilities at parcel or within visual sight?	Yes	Comment: There is a restaurant without the proper equipment to dispose of sewage water, the applicant mentioned this, and there is a propane gas company (Puerto Rico Propane). These two places are adjacent to the applicant's property by the Northeast, divided by PR-617.
Are there signs of underground storage tanks?	No	Comment:
Are above-ground tanks >10 gallons present? If Yes, also state condition.	No	Comment:
Are 55-gallon drums present? If Yes, also state condition.	No	Comment:



**ENVIRONMENTAL FIELD ASSESSMENT FORM**  
**ReGrow**

Are abandoned vehicles or electrical equipment present?	No	Comment:
Is other potential environmentally hazardous debris on the parcel?	No	Comment:
Is there non-environmentally hazardous debris on the parcel?	No	Comment:
Are any leaks, soil stains, or stressed vegetation present associated with any of the above or separately?	No	Comment:
Are there any pungent, foul or noxious odors?	No	Comment:
Are there any potentially hazardous trees that could fall?	No	Comment:
Are any bird nests visible?	No	Comment:
Are there any animal burrows visible?	No	Comment:

**Additional Needs Analysis**

Based on the above findings, does additional information need to be obtained from the applicant to determine whether an environmental hazard is present?	No	Comment:
--	----	----------

I verify that I have physically visited this property and that the findings outlined above are accurate.

*Delise Torres Ortiz*  
{Delise Torres Ortiz}  
{March 3<sup>rd</sup>, 2023}

Project #: PR-RGRW-01573	Photographer: Delise Torres Ortiz
Location Address: Carr 617 km 2.2 hm 3, Morovis, PR 00687	Coordinates: 18.310838, -66.415359

<b>Photo #:</b> 01	<b>Date:</b> 03/03 /2023	
<b>Photo Direction:</b> Southwest		
<b>Description:</b> Overview of site location Option 1, from the northeast corner, shows the bare ground and vegetation; this is where the greenhouse 32x70 ft or 20x56 ft is proposed to be built.		

<b>Photo #:</b> 02	<b>Date:</b> 03/03 /2023	
<b>Photo Direction:</b> Northwest		
<b>Description:</b> Overview of site location Option 1, from the southeast corner, shows the bare ground, the vegetation, and a partial view of the cow's corral; this is where the greenhouse 32x70 ft or 20x56 ft is proposed to be built.		

Project #: PR-RGRW-01573	Photographer: Delise Torres Ortiz
Location Address: Carr 617 km 2.2 hm 3, Morovis, PR 00687	Coordinates: 18.310838, -66.415359

<b>Photo #:</b> 03	<b>Date:</b> 03/03 /2023	
<b>Photo Direction:</b> Northeast		
<b>Description:</b> Overview of site location Option 1, from the southeast corner, shows the bare ground, the vegetation, and an unfinished greenhouse; the new greenhouse, 32x70 ft or 20x56 ft, is proposed to be built right next to the existing one.		

<b>Photo #:</b> 04	<b>Date:</b> 03/03 /2023	
<b>Photo Direction:</b> Southeast		
<b>Description:</b> Overview of site location Option 1, from the southeast corner, shows the bare ground, the vegetation, an unfinished greenhouse, and the access road to the property; the new greenhouse, 32x70 ft or 20x56 ft, is proposed to be built right next to the existing one.		

Project #: PR-RGRW-01573	Photographer: Delise Torres Ortiz
Location Address: Carr 617 km 2.2 hm 3, Morovis, PR 00687	Coordinates: 18.310838, -66.415359

<b>Photo #:</b> 05	<b>Date:</b> 03/03 /2023	
<b>Photo Direction:</b> North		
<b>Description:</b> Overview of site location Option 1, from the center of the area, shows the bare ground and the vegetation.		

<b>Photo #:</b> 06	<b>Date:</b> 03/03 /2023	
<b>Photo Direction:</b> East		
<b>Description:</b> Overview of site location Option 1, from the center of the area, shows the bare ground, the northeast side of an unfinished greenhouse, and the property's vegetation.		



Project #: PR-RGRW-01573	Photographer: Delise Torres Ortiz
Location Address: Carr 617 km 2.2 hm 3, Morovis, PR 00687	Coordinates: 18.310838, -66.415359

<b>Photo #:</b> 07	<b>Date:</b> 03/03 /2023	
<b>Photo Direction:</b> South		
<b>Description:</b> Overview of site location Option 1, from the center of the area, shows the bare ground, a partial view of the northeast side of the unfinished greenhouse, the main access road inside the property, and the property's vegetation.		

<b>Photo #:</b> 08	<b>Date:</b> 03/03 /2023	
<b>Photo Direction:</b> West		
<b>Description:</b> Overview of site location Option 1, from the center of the area, shows the bare ground, the property's vegetation, and a partial view of the cow's corral.		

Project #: PR-RGRW-01573	Photographer: Delise Torres Ortiz
Location Address: Carr 617 km 2.2 hm 3, Morovis, PR 00687	Coordinates: 18.310838, -66.415359

<b>Photo #:</b> 09	<b>Date:</b> 03/03 /2023
<b>Photo Direction:</b> Northwest	
<b>Description:</b> This is an overview of the cow's corral to the northwest of the proposed project location.	



<b>Photo #:</b> 10	<b>Date:</b> 03/03 /2023
<b>Photo Direction:</b> South	
<b>Description:</b> This overview of the site location Option 2, from the access road slope, shows the property's vegetation, the irrigation system, the bare ground for the proposed greenhouse, and the plantain crop.	




Project #: PR-RGRW-01573	Photographer: Delise Torres Ortiz
Location Address: Carr 617 km 2.2 hm 3, Morovis, PR 00687	Coordinates: 18.310838, -66.415359

<b>Photo #:</b> 11	<b>Date:</b> 03/03 /2023	
<b>Photo Direction:</b> South		
<b>Description:</b> Overview of site location Option 2, from the north corner, shows the bare ground, the property's vegetation, and the plantain crops.		

<b>Photo #:</b> 12	<b>Date:</b> 03/03 /2023	
<b>Photo Direction:</b> West		
<b>Description:</b> Overview of site location Option 2, from the east corner, shows the bare ground, the property's vegetation, and the plantain crops.		

Project #: PR-RGRW-01573	Photographer: Delise Torres Ortiz
Location Address: Carr 617 km 2.2 hm 3, Morovis, PR 00687	Coordinates: 18.310838, -66.415359

<b>Photo #:</b> 13	<b>Date:</b> 03/03 /2023	
<b>Photo Direction:</b> North		
<b>Description:</b> Overview of site location Option 2, from the south corner, shows the bare ground, the access road slope, the property's vegetation, and the irrigation system.		

<b>Photo #:</b> 14	<b>Date:</b> 03/03 /2023	
<b>Photo Direction:</b> East		
<b>Description:</b> Overview of site location Option 2, from the west corner, shows the bare ground and the property's vegetation.		


Project #: PR-RGRW-01573	Photographer: Delise Torres Ortiz
Location Address: Carr 617 km 2.2 hm 3, Morovis, PR 00687	Coordinates: 18.310838, -66.415359

<b>Photo #:</b> 15	<b>Date:</b> 03/03 /2023	
<b>Photo Direction:</b> North		
<b>Description:</b> Overview of site location Option 2, from the scenter area, shows the bare ground, the access road slope, the property's vegetation, and the irrigation system.		

<b>Photo #:</b> 16	<b>Date:</b> 03/03 /2023	
<b>Photo Direction:</b> East		
<b>Description:</b> Overview of site location Option 2, from the center area, shows the bare ground and the property's vegetation close to the unnamed stream.		

Project #: PR-RGRW-01573	Photographer: Delise Torres Ortiz
Location Address: Carr 617 km 2.2 hm 3, Morovis, PR 00687	Coordinates: 18.310838, -66.415359

<b>Photo #:</b> 17	<b>Date:</b> 03/03 /2023	
<b>Photo Direction:</b> South		
<b>Description:</b> Overview of site location Option 2, from the center area, shows the bare ground, the property's vegetation, and the plantain crops.		

<b>Photo #:</b> 18	<b>Date:</b> 03/03 /2023	
<b>Photo Direction:</b> West		
<b>Description:</b> Overview of site location Option 2, from the center area, shows the bare ground wall and the plantain crops.		

Project #: PR-RGRW-01573	Photographer: Delise Torres Ortiz
Location Address: Carr 617 km 2.2 hm 3, Morovis, PR 00687	Coordinates: 18.310838, -66.415359

<b>Photo #:</b> 19	<b>Date:</b> 03/03 /2023
<b>Photo Direction:</b> North	
<b>Description:</b> This is a close-up of the irrigation system called "Sistema de Ariete" or Hydraulic Ram, a cyclic water pump powered by hydropower; that uses the unnamed water stream.	



<b>Photo #:</b> 20	<b>Date:</b> 03/03 /2023
<b>Photo Direction:</b> Northeast	
<b>Description:</b> The picture is an overview of the location of the unnamed water stream east of the property.	



Project #: PR-RGRW-01573	Photographer: Delise Torres Ortiz
Location Address: Carr 617 km 2.2 hm 3, Morovis, PR 00687	Coordinates: 18.310838, -66.415359

<b>Photo #:</b> 21	<b>Date:</b> 03/03 /2023	
<b>Photo Direction:</b> Southwest		
<b>Description:</b> The picture is an overview of the location of the unnamed water stream south of the property.		

<b>Photo #:</b> 22	<b>Date:</b> 03/03 /2023	
<b>Photo Direction:</b> Southwest		
<b>Description:</b> This picture shows one of the corrals inside the property at the side of the main access road to the site locations.		



Project #: PR-RGRW-01573	Photographer: Delise Torres Ortiz
Location Address: Carr 617 km 2.2 hm 3, Morovis, PR 00687	Coordinates: 18.310838, -66.415359

<b>Photo #:</b> 23	<b>Date:</b> 03/03 /2023	
<b>Photo Direction:</b> North		
<b>Description:</b> The picture shows a new construction been built to the southern part of the property.		

<b>Photo #:</b> 24	<b>Date:</b> 03/03 /2023	
<b>Photo Direction:</b> Northeast		
<b>Description:</b> This is an overview of the east of the property where a Propane Gas Company is located outside, crossing the state road PR-617.		

## **Appendix D**

# **Notice of Finding of No Significant Impact and Notice of Intent to Request Release of Funds (FONSI/NOI-RROF)**

**Appendix E**  
**Request for Release of Funds**  
**(HUD Form 7015.15)**  
**and**  
**Authority to Use Grant Funds**  
**(HUD Form 7015.16)**